

Pacific Electric Chain Hoist Single Phase

The PEH single phase range offer a great balance between quality and price. The models vary from 500kg to 2 tonne capacity and are all tested to the Australian standards. All hoists are inclusive of many features which makes them suited for most applications. Optional Motorised Trolleys are available to complete the package.



Features:

- All Pacific models are manufactured to comply with AS1418.2.
- PM motor with VFD control, dual speeds with variable slow speed for raise and lower.
- 18V DC low voltage control for safe operation.
- Overload protection clutch prevents damage caused by overloading.
- Inclusive of DC Brake which automatically engages in the event of a power failure.
- Completely enclosed design to withstand harsh conditions.
- Upper and lower electrical limit switches.
- Grade 80 zinc plated load chain supplied as standard.
- Motor thermal protection on all Pacific Electric Chain Hoists.
- Fuse protection provided for both primary and secondary control circuits.
- IP55 protection rating on all electric hoists and trolleys.
- IP65 pendant control

The information shown is to be used as a guide only. Specifications are subject to change without notice. All materials handling or lifting jobs should be assessed individually. Pacific Hoists products are NOT to be used for lifting or lowering persons.

Specifications

Pacific Electric Chain Hoists - PEHs

Model	PEH050s	PEH100s	PEH200s
Stock Code	PEH050s	PEH100s	PEH200s
Rated Capacity (kg)	500	1000	2000
Standard Lift Height (m)	3	3	3
Chain Dimension (mm)	6.3 x 19.1	7.1 x 20.2	7.1 x 20.2
Speed (m/min)	8 / 0-2 (variable)	6 / 0-1.5 (variable)	3 / 0-0.75 (variable)
Motor (kW)	0.6 / 0.15	1.1 / 0.28	1.5 / 0.37
E.D. Rating (%)	30	30	30
Load Chain Fall No.	1	1	2
Weight (kg)	42.7	46.5	50

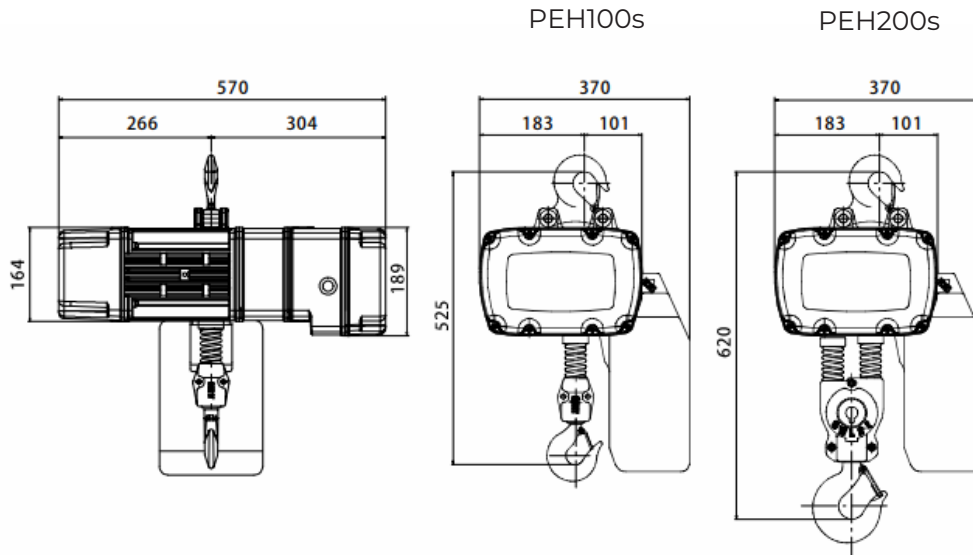
Motorised Trolleys - 240Volt, 50Hz

Model	PET050s	PET100s	PET200s
Stock Code	PET050s	PET100s	PET200s
Rated Capacity (kg)	500	1000	2000
Speed (m/min)	10	10	10
Motor (kW)	0.18 4P	0.18 4P	0.18 4P
Beam Width (mm)	75 - 125	75 - 125	100 - 150
Min radius of carve (m)	1.3	1.3	1.7

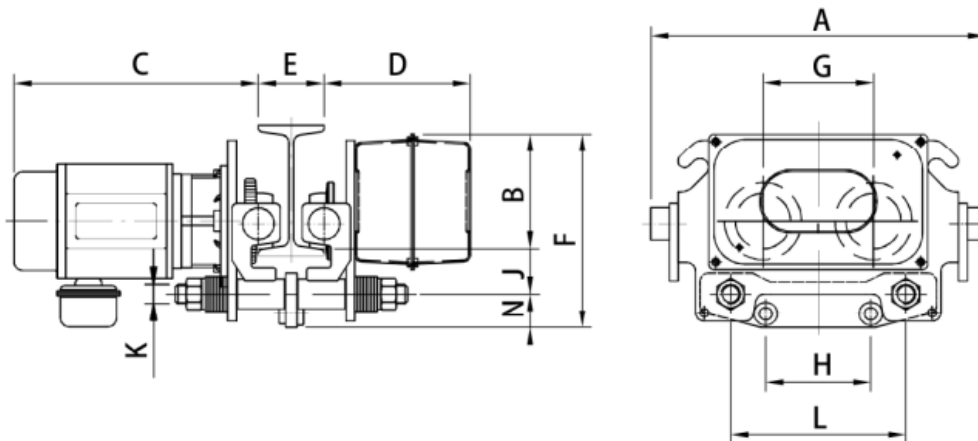
The information shown is to be used as a guide only. Specifications are subject to change without notice. All materials handling or lifting jobs should be assessed individually. Pacific Hoists products are NOT to be used for lifting or lowering persons.

Dimensions (in mm)

Pacific Electric Chain Hoists - PEHs



Pacific Electric Trolleys- PETs

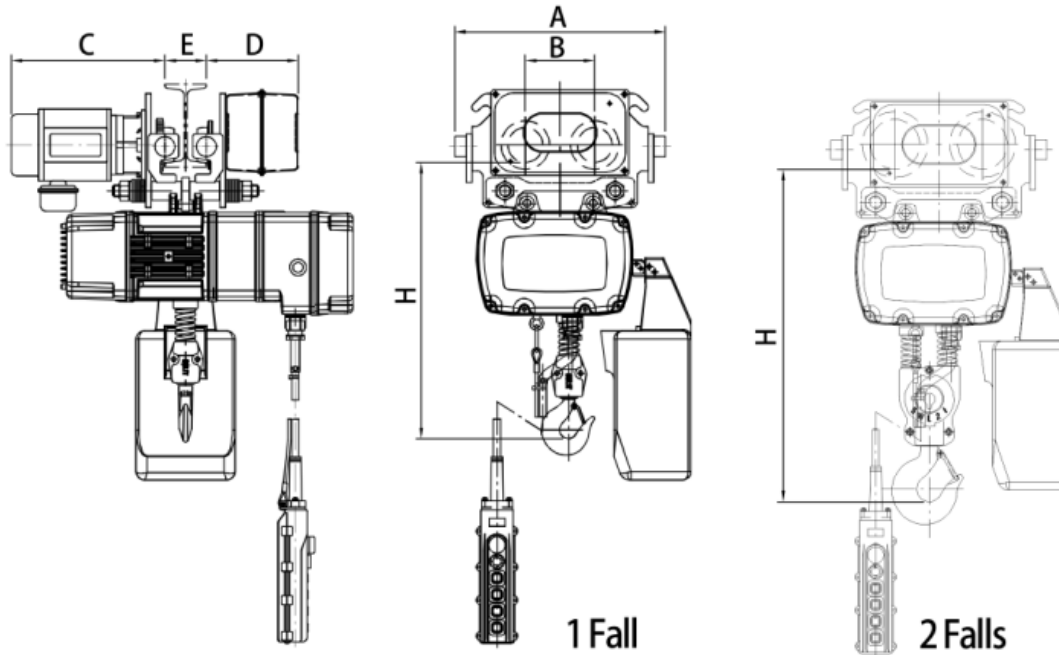


Model	Dimensions (mm)											
	A	B	C	D	E	F	G	H	L	J	N	K
PET050s	385	125	280	180	75 ~125	216	126	95.5	200	52	39	7/8"-9UNC (Ø22.2)
PET100s	385	114	280	180	75 ~125	220	126	120	210	67	39	1"-8UNC (Ø25.4)
PET200s	395	125	285	185	100 ~150	236	159	120	230	75	36	1/4"-7UNC (Ø31.8)

The information shown is to be used as a guide only. Specifications are subject to change without notice. All materials handling or lifting jobs should be assessed individually. Pacific Hoists products are NOT to be used for lifting or lowering persons.

Dimensions (in mm)

Pacific Electric Chain Hoist with Electric Trolley



Model	DWG.	Dimensions (mm)					
		A	B	C	D	E	H
PEH050s + PET050s	I	385	126	280	180	75 ~125	500
PEH100s + PET100s	II	385	126	280	180	75 ~125	550
PEH200s + PET200s	III	395	159	285	185	100 ~150	625

Sydney - Head Office

24 Foundry Road
Seven Hills, NSW 2147
Australia

☎ +61 (0)2 8825 6900
📠 +61 (0)2 8825 6999

Western Australia

8 Monash Gate
Jandakot, WA 6164
Australia

☎ +61 (0)8 6253 1000
📠 +61 (0)8 9458 9840

Auckland NZ

11 Druces Road
Wiri, Auckland 2104
New Zealand

☎ +64 (0)9 263 5566
📠 +64 (0)9 263 5567

