

JUUKO K-Series R Remote Controls

JUUKO is a pioneer in the development and manufacturing of industrial radio remote controls with a clear focus on safety, efficiency and productivity. Their products are used in over 20 countries around the world in the hoisting and cranes industry. The perfect tool for magnetic cranes, overhead cranes, electric chain hoists and tandem operations.

The K-Series R remote controls are easy to use and provide comfort due to their ergonomic design. The transmitter is constructed with a dial that can adjust the output from 0 to 10 volts allowing you to control the speed.



Features:

- Independent LEDs, indicate the status of the battery
- Activation of the transmitter is protected by an electronic key-code and an auto shut-off option which is programmable
- The system automatically changes to another frequency in the presence of radio interference
- Eco power management system
- It can receive and display via 4 LED signals coming from the receiver (relay action feedback)
- Mushrooms type EMO button
- Wireless pairing procedure using the keyboard pushbuttons
- Receivers equipped with analogue module with a variable output of 0~10VDC controlled by transmitter control dial.
- Ideal for integration with VFD's for precise speed control applications.

The information shown is to be used as a guide only. Specifications are subject to change without notice. All materials handling or lifting jobs should be assessed individually. Pacific Hoists products are NOT to be used for lifting or lowering persons.

Transmitter Design

Data Feedback

This function enables the visualization of status through 4 LEDs. These 4 LEDs are programmable to see the actual status of each relay in receiver.



Protection

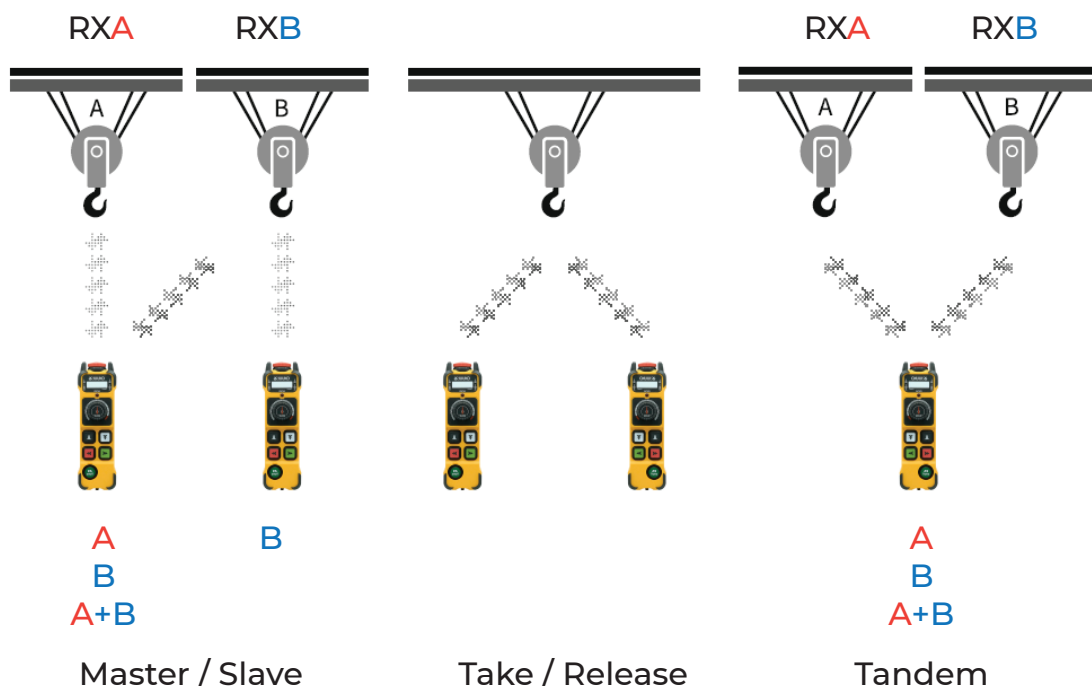
The transmitter is constructed with ultra-high impact resistant corner bumpers for added protection and a rubber protective cover underneath the EMO button which is dust-resistant.



Durability

The back of the remote control features a matt black rubber finish which is durable and offers a secure and comfortable grip.

Multi-Control System



The information shown is to be used as a guide only. Specifications are subject to change without notice. All materials handling or lifting jobs should be assessed individually. Pacific Hoists products are NOT to be used for lifting or lowering persons.

Accessories



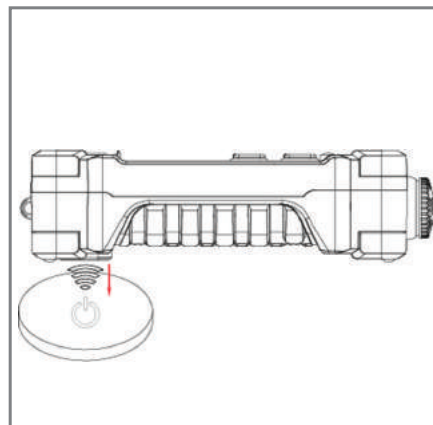
HS-Series Receiver
(Included)



Wrist Strap
(Included)



Transparent Pouch
(Included)



Qi Charger (Optional)

The information shown is to be used as a guide only. Specifications are subject to change without notice. All materials handling or lifting jobs should be assessed individually. Pacific Hoists products are NOT to be used for lifting or lowering persons.

Specifications

Model	HSP-K202R1R1T	HSP-K404R1R1T	HSP-K606R1R1T
No. of Transmitters	1	1	1
No. of Receivers	1	1	1
No. of Protective Pouches	1	1	1
No. of Wrist Straps	1	1	1
Hip Belts (Optional)	-	-	-
Qi Charger (Optional)	-	-	-

JUUKO K-Series R Remote Control Transmitter

Size	193 x 57 x 51mm
Weight	approx. 305g
Frequency Band	315 / 418 / 429 / 433 / 447 / 470 / 915 MHz / 2.4 GHz
Channel Space	12.5 kHz
Hamming Distance	≥ 15
Radio Communication	Bi-directional
Frequency Handling	Automatic and dynamic switching between 2 channels
Stop Command Response Time	~ 50 ms
Command Respond Time	~ 50 ms
Operating and Storage Temperature	(-25°C)~(+55°C) / (-40°C)~(+85°C)
Housing Material	PA6 (GF30%)
Protection Degree	IP65
Operating Distance	Up to 100m
Power Supply	LR6(AA)1.5V / NiMH(AA)1.2V x2

The information shown is to be used as a guide only. Specifications are subject to change without notice. All materials handling or lifting jobs should be assessed individually. Pacific Hoists products are NOT to be used for lifting or lowering persons.

Specifications

JUUKO HS-Series Receivers

	Specification
Size	190 x 184 x 64mm
Weight	1800g
Frequency	433MHz
Modulation Method	4FSK
Sensitivity	-122dBm@baud 1.2K bps
Control System	PLL
Antenna Impedance	50Ω
Power Supply	24V~264 AC/DC
Average Power Consumption	15mA@AC220V (Standby Mode)

Sydney - Head Office

24 Foundry Road
Seven Hills, NSW 2147
Australia

+61 (0)2 8825 6900

+61 (0)2 8825 6999

Western Australia

Unit 1, 31 Colin Jamieson Drive
Welshpool, WA 6106
Australia

+61 (0)8 6253 1000

+61 (0)8 9458 9840

Auckland NZ

11 Druces Road
Wiri, Auckland 2104
New Zealand

+64 (0)9 263 5566

+64 (0)9 263 5567

