

LIFTKET STAR

LIFTKET electric chain hoists are characterised above all by their high level of safety. The STAR chain hoist features first class material and technologies, ensuring excellent quality.

The STAR can be quickly and safely converted from a single to a double fall version to increase the capacity accordingly.



Features:

- Precise positioning of fragile loads thanks to ultra low speed (optional)
- Contactor control with interchangeable components
- Extremely low maintenance design
- Patented safety friction clutch system
- The electromagnetic disc brake ensures safe braking and holding of the load at any height
- A high level of safety due to the arrangement of the sliding clutch between the motor and brake
- Made in Germany

The information shown is to be used as a guide only. Specifications are subject to change without notice. All materials handling or lifting jobs should be assessed individually. Pacific Hoists products are NOT to be used for lifting or lowering persons.

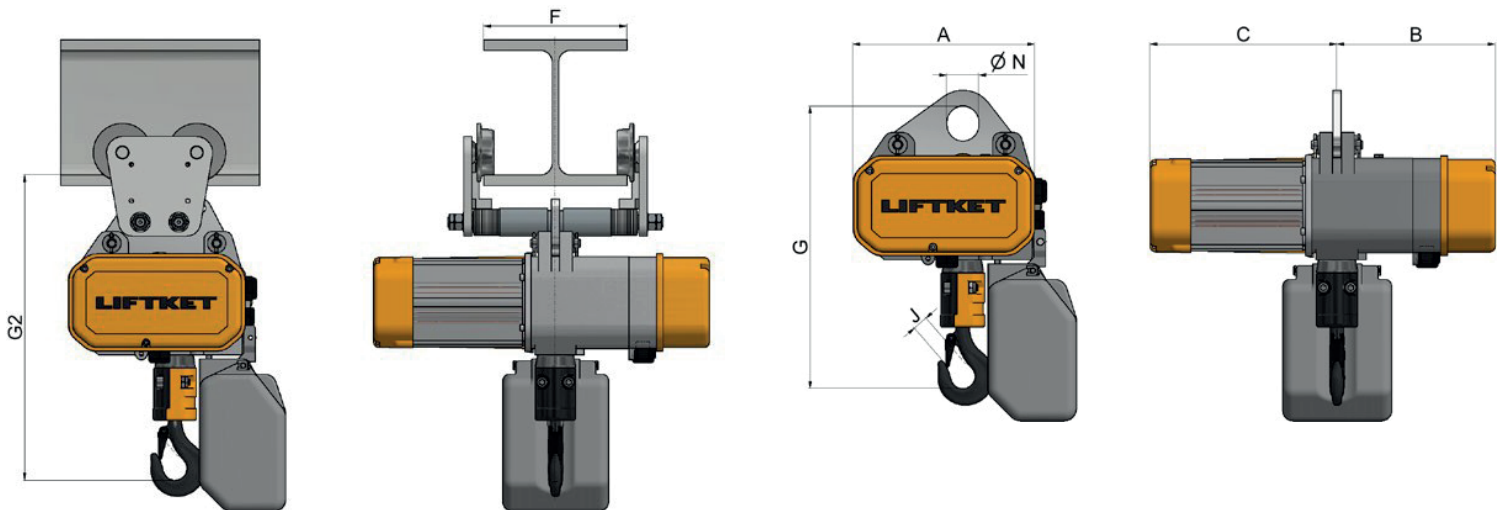
Specifications

Capacity	250 KG	500 KG	1 TONNE	2 TONNE	3.2 TONNE	5 TONNE	6.3 TONNE
Stock Code	LFK025	LFK050	LFK100	LFK200	LFK300	LFK500	LFK600
Chain Dimension (mm)	5.2x15	7.2x21	7.2x21	7.2x21	11.3x31	11.3x31	11.3x31
Speed (m/min)	8/2	8/2	6/1.5	3/0.75	8/2	4/1	4/1
Motor (kW)	0.32/0.08	0.90/0.20	1.1/0.20	1.1/0.20	4.4/1.1	4.4/1.1	4.4/1.1
E.D. Rating (%)	50/25	60/25	60/25	60/25	25/25	25/25	25/25
Load Chain Fall No.	1	1	1	2	1	2	2
Weight (kg)	18	42	42	47	118	130	130

The information shown is to be used as a guide only. Specifications are subject to change without notice. All materials handling or lifting jobs should be assessed individually. Pacific Hoists products are NOT to be used for lifting or lowering persons.

Dimensions (mm)

CAPACITY	250 KG	500 KG	1 TONNE	2 TONNE	3.2 TONNE	6.3 TONNE
A	212	266	266	266	357	357
B	192	232	232	232	291	291
C	220	274	274	274	410	410
G (EAÖ)	365	413	413	514	611	740
G2	409	460	460	561	678	807
ø N (EAÖ)	37	47	47	47	67	67
J	20	22	22	28	30	42



Sydney - Head Office

24 Foundry Road
Seven Hills, NSW 2147
Australia

+61 (0)2 8825 6900

+61 (0)2 8825 6999

Western Australia

8 Monash Gate,
Jandakot, 6164 WA
Australia

+61 (0)8 9417 2933

+61 (0)8 9417 3533

Auckland NZ

11 Druces Road
Wiri, Auckland 2104
New Zealand

+64 (0)9 263 5566

+64 (0)9 263 5567

