

1 Symbol

- OFF - ON (3TJW106D)
- ON - OFF - ON (3TJW106E)
- ON - OFF - (ON) (3TJW106H)
- (ON) - OFF - (ON) (3TJW106G)
- PAS6
- NONE

2 Symbol

- OFF - ON (3TJW106D)
- ON - OFF - ON (3TJW106E)
- ON - OFF - (ON) (3TJW106H)
- (ON) - OFF - (ON) (3TJW106G)
- PAS6
- NONE

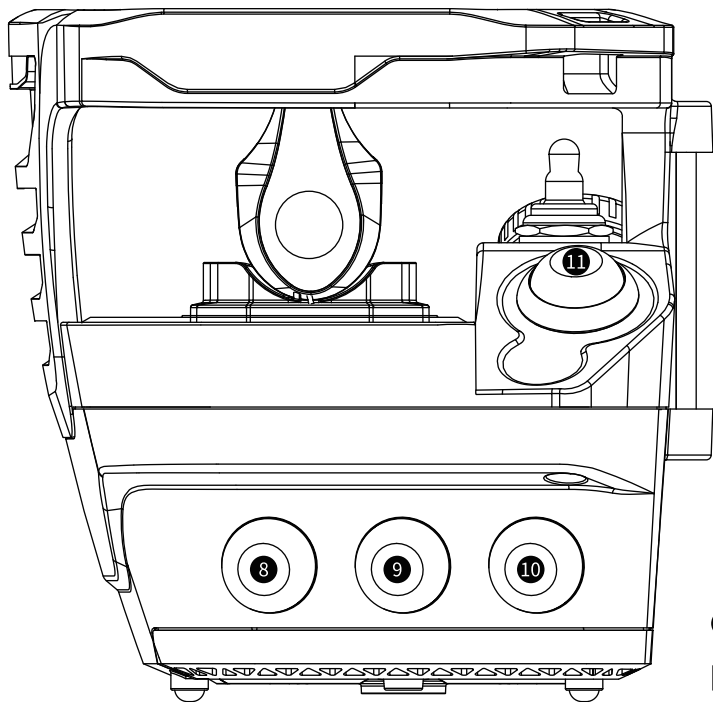
3 Symbol

- OFF - ON (3TJW106D)
- ON - OFF - ON (3TJW106E)
- ON - OFF - (ON) (3TJW106H)
- (ON) - OFF - (ON) (3TJW106G)
- PAS6
- NONE

4 Symbol

- OFF - ON (3TJW106D)
- ON - OFF - ON (3TJW106E)
- ON - OFF - (ON) (3TJW106H)
- (ON) - OFF - (ON) (3TJW106G)
- PAS6
- NONE

Please draw the placement on the deck.



11

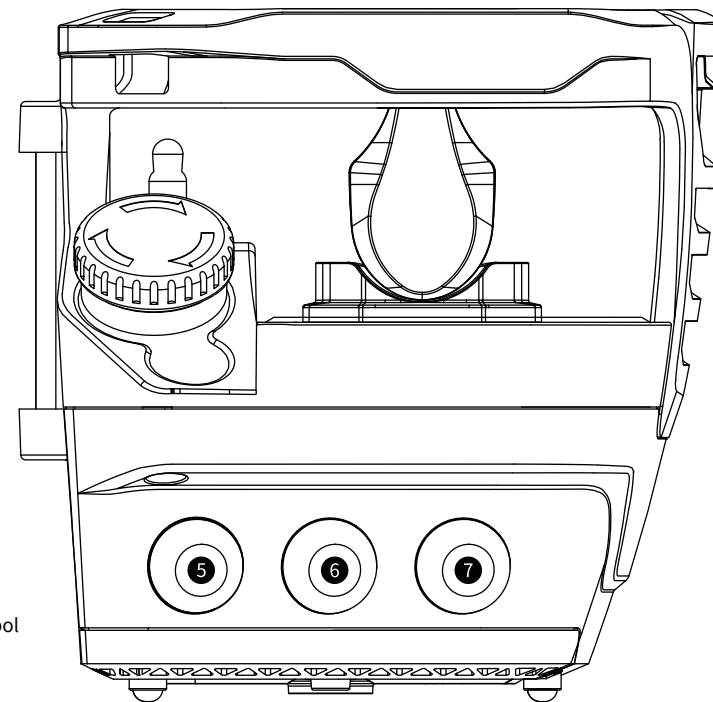
- PAS6
- KEY TYPE

10

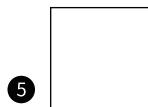


Symbol

- PAS6



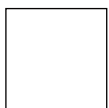
5



Symbol

- PAS6

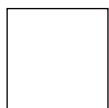
8



Symbol

- OFF - ON (3TJW106D)
- ON - OFF - ON (3TJW106E)
- ON - OFF - (ON) (3TJW106H)
- (ON) - OFF - (ON) (3TJW106G)
- PAS6

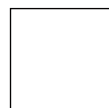
9



Symbol

- OFF - ON (3TJW106D)
- ON - OFF - ON (3TJW106E)
- ON - OFF - (ON) (3TJW106H)
- (ON) - OFF - (ON) (3TJW106G)
- PAS6

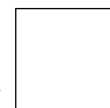
6



Symbol

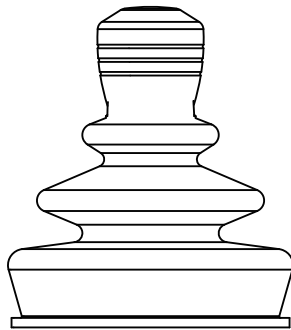
- OFF - ON (3TJW106D)
- ON - OFF - ON (3TJW106E)
- ON - OFF - (ON) (3TJW106H)
- (ON) - OFF - (ON) (3TJW106G)
- PAS6

7



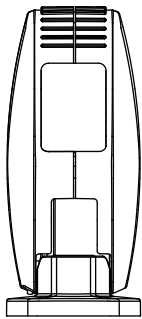
Symbol

- OFF - ON (3TJW106D)
- ON - OFF - ON (3TJW106E)
- ON - OFF - (ON) (3TJW106H)
- (ON) - OFF - (ON) (3TJW106G)
- PAS6



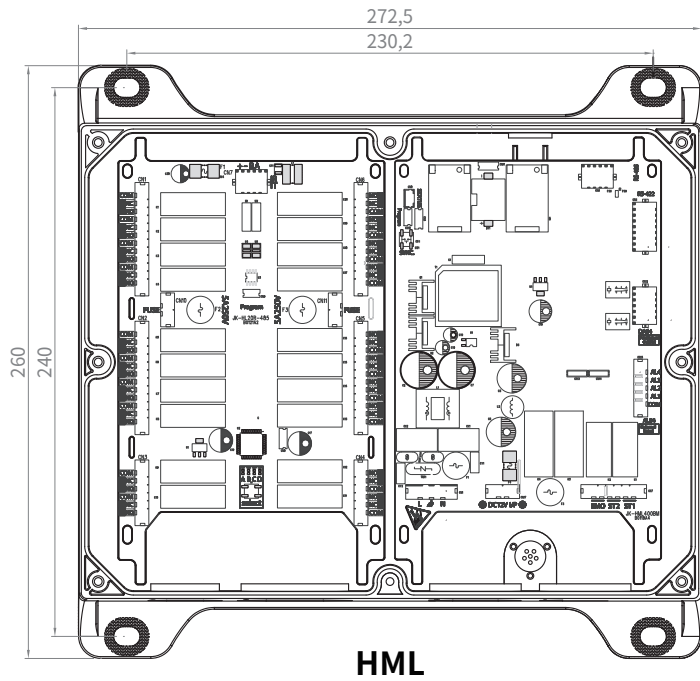
**series
JM -**

Limiters	Degrees	Detent	Top Button	Customized
A Single Axis - Y <input type="checkbox"/> B Single Axis - X <input type="checkbox"/> C Two Axis - Cross <input type="checkbox"/> S Two Axis - Square <input type="checkbox"/>	A 19.5° B 32.5°	0 1 2 3 4 5	S Single Step D Double Step	
*	*	*	*	- ****
CODE				-

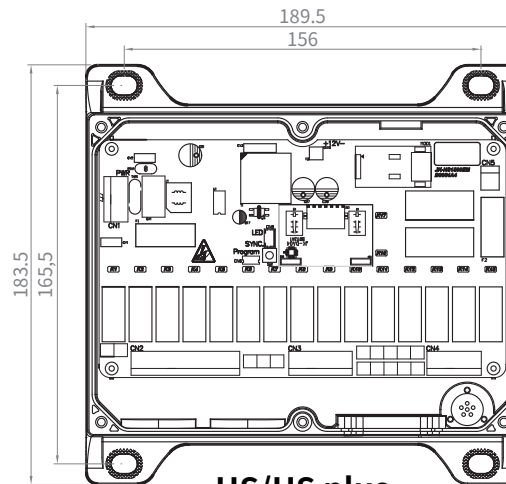


**series
PM -**

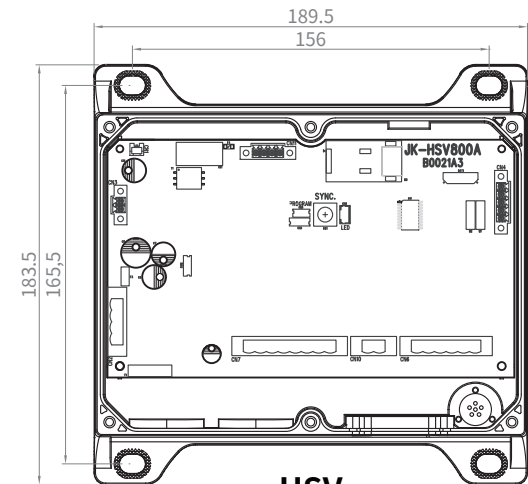
Limiters	Detent	Limiters	Detent	Customized
A 25.5° (stepless) — 0 B 45.5° (stepless) — 0 C 0° (stepless) — 0 D step ————— 2 3 4 5		A 25.5° (stepless) — 0 B 45.5° (stepless) — 0 C 0° (stepless) — 0 D step ————— 2 3 4 5		
*	*	*	*	- ****
Forward		Reverse		
CODE				-



HML



HS/HS plus



HSV

Receiver

HML2400

- 24-48V adc
- 90-460V adc

*24 relay +0-10V dc
analogue output*4

HML4400

- 24-48V adc
- 90-460V adc

*44 relay +0-10V dc
analogue output*4

HS

- 24-264V adc
- 90-460V adc

*17 relay

HS plus

- 24-264V adc
- 90-460V adc

*17 relay +0-10V dc
analogue output*4

HSV

- 12-24V dc

*16 PWM

Other

- _____