

JDN AIR HOISTS MINI

IN FOOD GRADE DESIGN



Many industrial areas require special demands on extreme cleanliness and hygiene. For example the food and beverages industry, the chemical and pharmaceutical industry. To meet the special demands of these sectors we now introduce the JDN Air Hoists mini in "food grade" design. This includes a motor housing of uncoated cast aluminium, chain, chain inlet, load sleeve and hooks made of stainless steel. The minis will therefore be resistant to corrosion and high levels of humidity and easy to clean. Even high-pressure cleaners pose no problem. The motor will be lubricated by a physiologically safe fully synthetic (mineral oil-free) special grease, which is particularly suitable for the food and pharmaceutical industry. The chain lubricant is food grade approved. And thanks to the use of compressed air as driving medium

the hoists are also explosion protected so that they can be used in areas where organically flammable chemical substances are handled. The hoists are fitted with twist lock hooks (top and bottom) and available with 5 m height of lift and 4 m length of control.

THE ADVANTAGES AT A GLANCE:

- Corrosion resistant
- Resistant to high levels of humidity
- Easy to clean
- Suitable for high-pressure cleaners
- Ex-proof

YOUR BENEFITS:

- Decrease of the total costs of ownership (TCO)
- Safe processes in the production
- Availability 24/7
- Easy and quick maintenance direct at the operation site

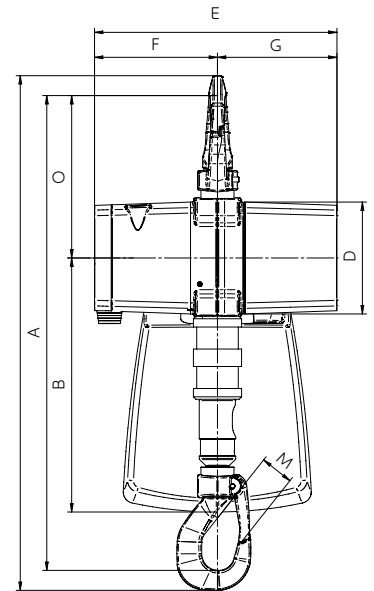


JDN AIR HOISTS MINI

TECHNICAL DATA

Type		mini 125	mini 250	mini 500	mini 1000
Air pressure	bar	6	6	6	6
Carrying capacity	kg	125	250	500	980
Number of chain strands		1	1	1	1
Engine output at full load	kW	0.45	0.45	1	1
Lifting speed at full load	m/min	20	10	12.5	6.3
Lifting speed without load	m/min	40	20	20	11.5
Lowering speed at full load	m/min	40	20	20	12
Lowering speed without load	m/min	25	12.5	13	7.5
Air consumption at full load – lifting	m ³ /min	0.95	0.95	1.7	1.7
Air consumption at full load – lowering	m ³ /min	0.95	0.95	1.7	1.7
Air connection		G ½	G ½	G ½	G ½
Hose dimension (ø inside)	mm	13	13	13	13
Weight at 5 m lift/ 4 m control length	kg	11	11	21.5	22
Chain dimension	mm	4.7 x 14.1	4.7 x 14.1	7.4 x 22	7.4 x 22
Weight of chain	kg/m	0.48	0.48	1.19	1.19
Height of lift	m	5	5	5	5
Length of control	m	4	4	4	4
Sound level at full load – lifting ¹	dB(A)	78	78	78	78
Sound level at full load – lowering ¹	dB(A)	80	80	80	80
ATEX Zone		2/22	2/22	2/22	2/22
Mechanism group/life cycle [h]		1 Am/800	1 Am/800	1 Am/800	1 Am/800

¹Measured in 1 m distance acc. to DIN 45635 part 20. Performance data at room temperature. Alterations reserved.



DIMENSIONS

Type		mini 125	mini 250	mini 500	mini 1000
A	mm	432	432	573	573
B	mm	236	236	306	306
C	mm	462	462	621	621
D	mm	100	100	135	135
E	mm	220	220	292	292
F	mm	112	112	148	148
G	mm	108	108	144	144
H	mm	159	159	210	210
J	mm	43	43	53	53
K	mm	93	93	125	125
L	mm	28	28	40	40
M	mm	24	24	36	36
(N)	mm	15	15	24	24
O	mm	144	144	199	199

Alterations reserved.

