

SUPPLEMENT OF INSTRUCTION MANUAL

This motor-driven trolley has special specifications and this supplement includes the special parts which differ from standard parts. Therefore, when repair the parts and maintain this trolley, please read this pamphlet as well as the handling manual attached.

1. DIMENSIONS

Refer to the drawing. ; Drawing No. 320 3Z6PG9411

2. PARTS

The parts listed in following column and in the attached drawing (fig. 1) are different from those which are described in the handling manual (parts list).

Item No.	Part name	Q' ty	Order No.
1	ETNM COVER	1	3H3Y22308-2
26	BOLT C	4	GA433662-3
A-2	1ETNM HOUSING ASS' Y	1	2C3Z06924-V
37	RUBBER BUSH	1	GA450014-2
38	TM CABLE (8C×0.75)	1	409821-007
43	1ETNM ROTOR ASS' Y	1	3C2Z86110-C
57	2ET 1ST. GEAR	1	3H5L72442-2
122	2ET FRAME B (2)	1	409821-009

3. WIRING

Refer to the drawing. ; Drawing No. 3Z6UK6650
3Z6UK7750

4. NOTE

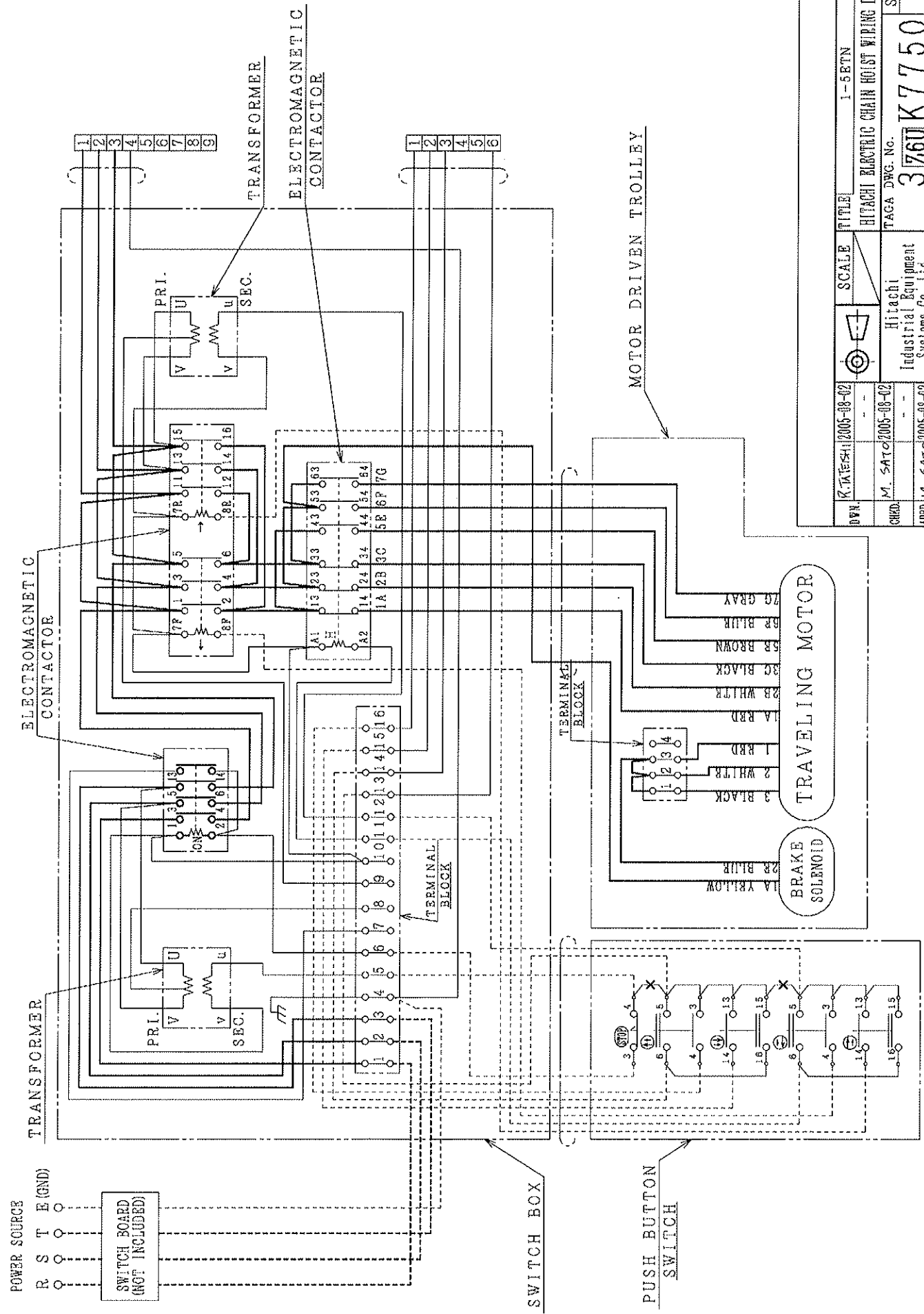
- a) All parts except above mentioned are same as those of 2ET type described in the handling manual.
- b) When ordering parts or consulting, Hitachi's representative, it is necessary to state the type of the hoist and MFG. No. stamped on the name plate.

Product No. 409821

WIRING DIAGRAM FOR 1~5ETN (380~415V 50Hz)

(FOR DUAL SPEED CHAIN HOIST)

REVISIONS			
SYM.	DATE	REV.D.	CHKD.
changed connection			
A	2005-01-11	K.TAKESHI	M. SATO



DATE	SCALE	TITLE	REV.
K.TAKESHI 2005-08-02	1-5ETN	HITACHI ELECTRIC CHAIN HOIST WIRING DIAGRAM	A
CHKD. M. SATO 2005-08-02			
APPD. M. SATO 2005-08-02			

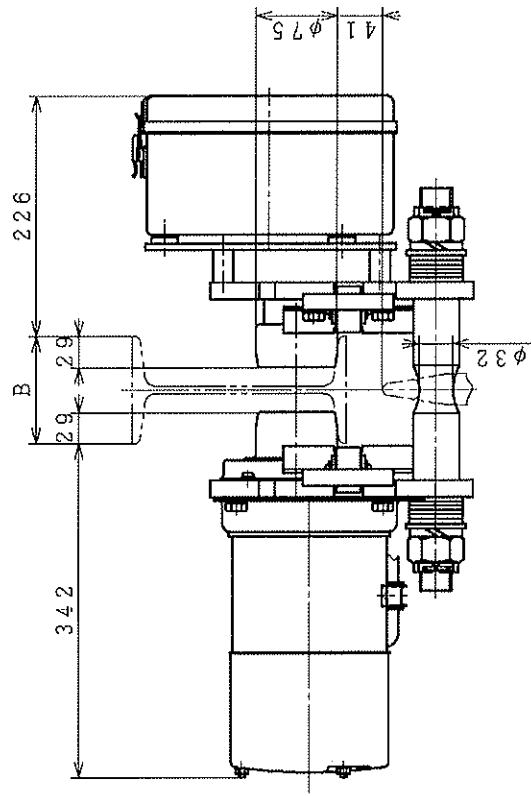
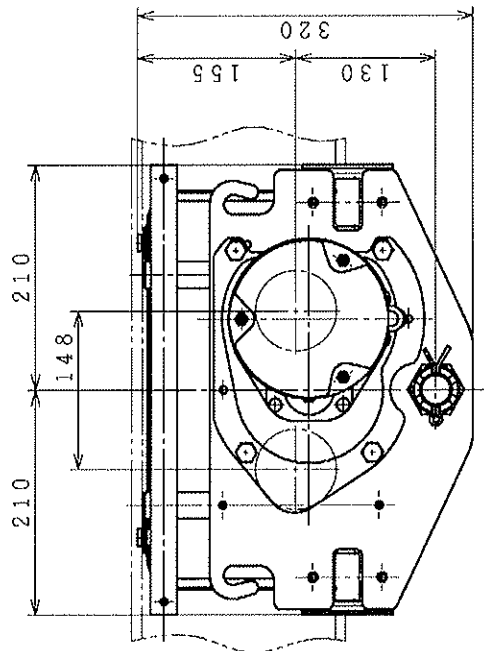
TAGA DWG. No.	SH. OF	REV.
3 Z6U K7750		2005-01

Hitachi Industrial Equipment Systems Co., Ltd.

REVISIONS

SYM.	DATE	REVD.	CHKD.	APPD.
specification reexamination.				
1	2005-04-27	K. ICHISE	M. SATO	M. SATO

HITACHI MOTOR DRIVEN TROLLEY FOR ELECTRIC CHAIN HOIST (TYPE 2ETN)



SPECIFICATION		2ETN
TYPE		2ETN
CAPACITY (t)		2
POWER SOURCE		V
TRAVELLING SPEED (m/min)	50HZ	21/5.3
	60HZ	25/6.3
TRAVELLING MOTOR (kW)	50HZ	0.27/0.07
	60HZ	0.32/0.08
RATING (%ED)		20
APPROXIMATE WEIGHT (kg)		56
MINIMUM PERMISSIBLE BENDING RADIUS (m)		1.8
TRAVELLING BEAM FRANGE WIDTH B (mm)		100~150

NOTE:

PUSH BUTTON SWITCH:

- SINGLE SPEED CHAIN HOIST: ON OFF
- DUAL SPEED CHAIN HOIST: ON OFF
- SINGLE SPEED CHAIN HOIST: STOP
- DUAL SPEED CHAIN HOIST: STOP

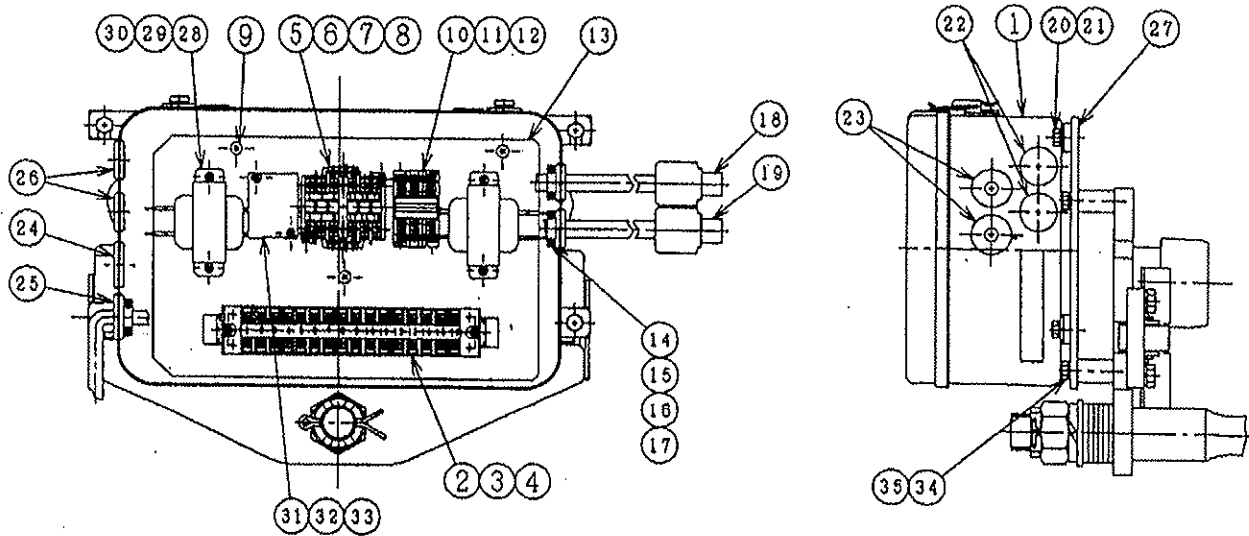
DWN.	K. ICHISE	97-08-19	PRODUCTION
CHKD.	M. SATO	97-08-19	SCALE
APPD.	Y. INABA	97-08-19	NTS
2E-3000 2005-04 21			

APPROXIMATE DIMENSIONS
OF TYPE 1~5ETN

Hitachi, Ltd.
Tokyo Japan

TAGA DWG. No.
3203 Z16 P G94 1 1

fig.1 SWITCH BOX



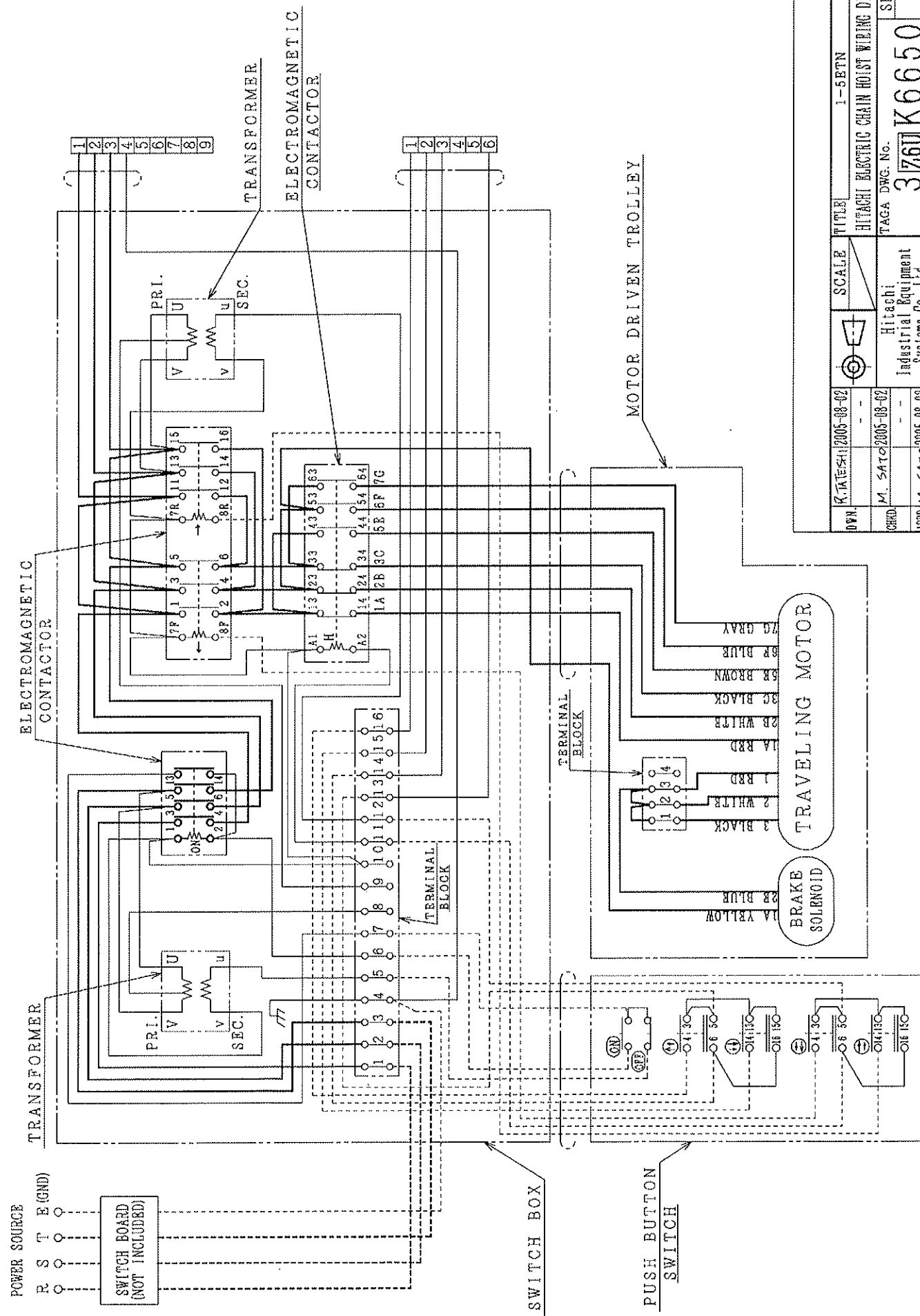
Following parts are different from the parts described in the structural drawing and parts list.

Item No.	CLASS	PARTS No.	DRAWING No.	PART NAME	QUANTITY
1	B		409821-002	SWITCH CASE	1
2	C		409821-001	TERMINAL BOARD (16P)	1
3	D		M7900075	SCREW AM4X10	2
4	D		M8700513	WASHER M4	2
5	A	839783		MG SWITCH (HMU-12)	1
6	D		M5410084	SCREW M4X20	2
7	D		M8700005	SPRING WASHER M4	2
8	D		M8700513	WASER M4	2
9	D		M7900113	SCREW AM6X12	3
10	A	813234	3K21G1787-3	MG SWITCH (MUF5-6)	1
11	D		M5410080	SCREW M4X12	2
12	D		M8700513	WASER M4	2
13	B		409821-003	SWITCH BOARD	1
14	C	837478	GA417156-1	BHP STOPPER	6
15	D		M5410056	SCREW M3X16	6
16	D		M8700004	SPRING WASHER M3	6
17	D		M4210033	NUT M3	6
18	B		409821-005	CABLE ASS'Y (9P)	1
19	B		409821-006	CABLE ASS'Y (6P)	1
20	D		M1130019	BOLT M8X16	4
21	D		M8700008	SPRING WASHER M8	4
22	C	851044	GA432030-1	IM RUBBER BUSH	2
23	C	811249	GA432029-2	RUBBER BUSH B	2
24	C	851125	GA432028-4	IAM MS-N RUBBER BUSH	1
25	C	853031	GA432028-6	3M RUBBER BUSH	1
26	C	853030	GA432030-2	3M RUBBER BUSH	2
27	B		409821-008	SWITCH BASE	1
28	A	871133	2J5318944-1	TRANSFORMER 220/380-415V, 50Hz	2
29	D		M7900074	SCREW AM4X8	4
30	D		M8700513	WASHER M4	4
31	A		3K21E1932-1	MG SWITCH (MUD5)	1
32	D		M7900078	SCREW AM4X16	2
33	D		M8700513	WASHER M4	2
34	D		M1130027	BOLT M8X55	4
35	D		M8700008	SPRING WASHER M8	4

WIRING DIAGRAM FOR 1~5ETN (380~415V 50Hz)

(FOR DUAL SPEED CHAIN HOIST)

REVISIONS	
SYM.	DATE
REV.D.	CHKD.
changed connection	
A	2005-01-11
K. TAKESHI M. SATO M. SATO	



OWN	SCALE	TITLE	REV.
K. TAKESHI	1-5ETN	HITACHI ELECTRIC CHAIN HOIST WIRING DIAGRAM	A
CHKD. M. SATO		TAGA DWG. No.	SH. OF
APPD. M. SATO		3Z6U K6650	PC-8088 2005-01 11