



Heavy Duty Hoist Model: *DH-500A*

PN: 752939 24V DC
752944 24V DC

Introduction

► Feature

- Lifting capacity: 500 kg / 1,102 lb wire rope top layer
- Lifting height: 12 m
- Lifting speed: 4 M/min
- Motor output: 300 W x 30 A at DC24V
- Brake: Mechanical ratchet pawl provides instant and failsafe brake
- Control: Handheld pendant switch powers the hoist

► Unpacking

- Hoist assembly..... 1 pc
- Control ass'y 1 pc
- Pendant switch CPB-161 w/cord 0.75 mm x 3C x 4.4 m..... 1 pc
- Wire rope 6.35 mm x 12 m.....1 pc
- Weight hook CHW-0005..... 1 pc

► Read this manual carefully

You should carefully read and understand this manual before operating it. Careless hoist operation may result in personal injury hazards or property damage.

► Information requesting or parts ordering

Please specify the following information:

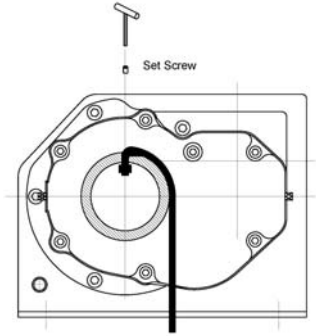
- Hoist PN
- Serial number
- Quantity for each part
- Part description
- Replacement part number

Installation

Before using the hoist, make sure all electrical components have no corrosion or damaged; the environment should be clear and dry.

► Wire Rope Replacement

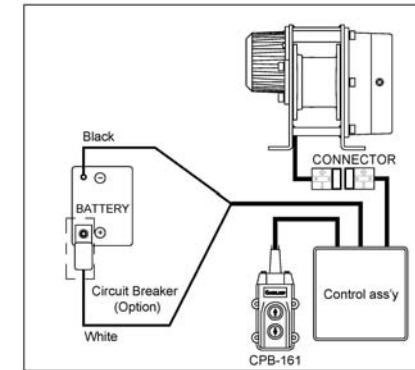
- Feed the end of the wire rope into hole on the drum and lock it with a set screw securely.
- Make sure the first layer of wire rope is tight and maintain a freeboard at least 1.5 x rope diameter.
- Wire rope shall be wound in an under-wound orientation only.
- To compensate for uneven spooling and the decrease in line lifting capacity as the drum fills up, use as short a wire rope as practical.



► Wiring Diagram

Attach the black lead firmly to the negative (-) battery terminal and white lead to the positive (+) battery terminal. The voltage drop for the hoist motor must not exceed 10% of the nominal voltage of 24V DC.

- Recommended battery: 650 CCA minimum for hoisting



Performance Date

Layer	Lifting Load kg	Line Speed mpm
1 st	619	3.4
2 nd	553	3.7
3 rd	500	4.0
	At no load	6.5

Warning

- The operator shall always work in compliance with the operating instructions.
- Overload shall be forbidden and overload protection shall be required.
- Ban on transporting persons and excessive inching shall be avoided.
- Don't try to move obstructed loads and side-pull of load is not allowed
- The rope winding on the drum shall remain 5 wraps from the drum.

Parts List

Item No.	Description	Part No.	Qty
1	Gearbox rear cover kit	881886	1
2	3 rd gear kit	881887	1
3	2 nd gear kit	881888	1
4	1 st gear kit	881889	1
5	Gearbox support rack kit	881890	1
6	Ratchet kit	881891	1
7	Drum kit	881892	1
8	Frame kit	881893	1
9	Drum supporter	881895	1
10	Brake cover	881896	1
11	Motor kit 24V	881898	1
12	Control ass'y	881900	1
15	Wire rope w/hook CHW-0005	882538	1

Hoist Assembly

