

### Introduction

#### ► Feature

Lifting capacity:	120 kg
Lifting height:	5 m
Lifting speed:	5 M/min
Motor output:	100 W x 15 A at DC12V
Brake:	Electromagnetic and mechanical ratchets
Control:	Pendant switch powers the hoist

#### ► Unpacking

· Hoist assembly.....	1pc
· Pendant switch CPB-271 w/cords.....	1pc
· Wire rope 4 mm x 5 m w/safety hook.....	1pc

#### ► Read this manual carefully

You should carefully read and understand this manual before operating it. Careless hoist operation may result in personal injury hazards or property damage.

#### ► Information requesting or parts ordering

Please specify the followings information:

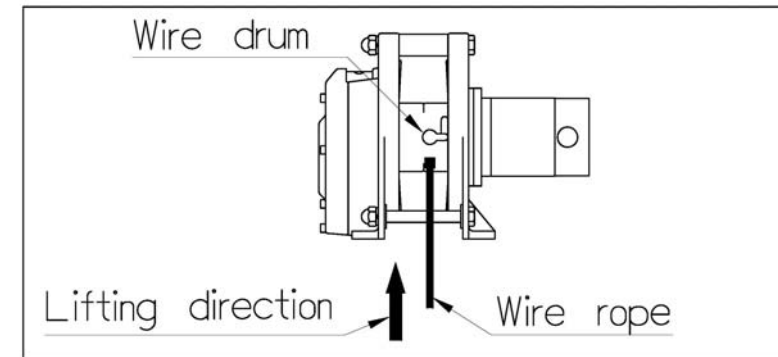
- Hoist PN
- Serial number
- Part description
- Replacement part number
- Quantity for each part

### Installation

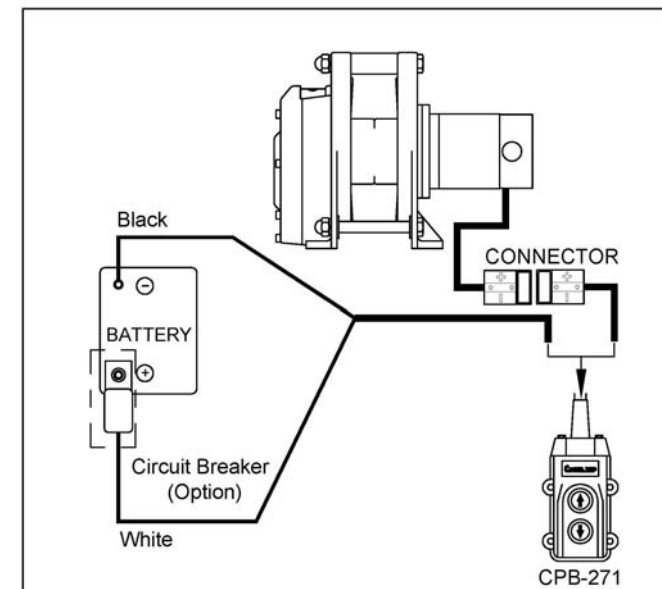
Before using the hoist, make sure all electrical components have no corrosion or damaged; the environment should be clear and dry.

#### ► Wire rope replacement

- Insert the wire rope into the hole of drum and fix it with a P. T. screw, then press the "UP" button of switch for rotate the drum in the lifting direction.
- Wind the wire rope accurately around the drum, and an irregular winding will cause the load to be swing, thus damaging the wire and reducing the life of hoist.



#### ► Wiring Diagram



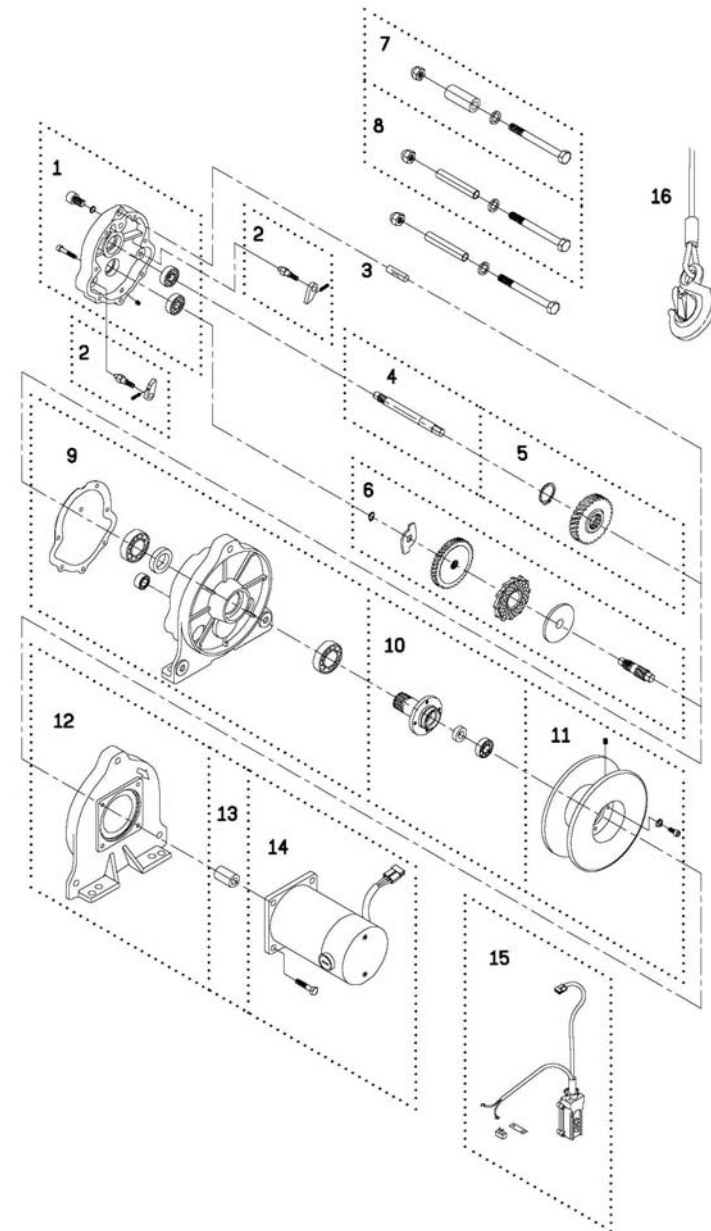
## Warning

- The hoist is not intended to be used in any manner for the movement or lifting of personnel.
- The lifting capacity shown is based on the top layer of rope on the drum.
- The rope winding on the drum shall remain 5 wraps from the drum.

## Parts List

Item No.	Description	Part No.	Qty
1	Gearbox rear cover kit	880520	1
2	Ratchet stopper kit	880547	2
3	Balancer indicator	880522	1
4	1 <sup>st</sup> shaft kit	880523	1
5	2 <sup>nd</sup> gear kit	880524	1
6	Brake kit	881496	1
7	Tie bar kit	880527	1
8	Tie bar kit A	880528	2
9	Gearbox support rack kit	880531	1
10	Output shaft kit	880532	1
11	Drum kit	880533	1
12	Motor support rack kit	880534	1
13	Motor coupling	881495	1
14	Motor kit 12V	881921	1
15	Remote control, CPB-271	881924	1
16	Wire rope w/hook	881925	1

## Hoist Assembly



Ver:5