



# Electric Winch

## Model: **CWG-30750**

PN: w/5.5kw x 4P motor

154452 380V50Hz 154453 380V50Hz **151736 380V50Hz**

152840 415V50Hz 152855 415V50Hz

152850 440V50Hz 154985 400V50Hz

### Introduction

#### ► Feature

Lifting capacity: 2,200 kg at 50Hz wire rope top layer

Lifting height: 97 m

Lifting speed: 4P: 6.9-12.6 m/min at 50Hz

Brake: Electromagnetic spring-applied failsafe brake

Control: Pendant switch powers the winch

#### ► Unpacking

- Winch assembly 1pc
- Wire rope 16 mm x 100 m w/safety hook 1pc
- **Wire rope 16 mm x 24 m w/safety hook for PN:151736** 1pc
- Low voltage control ass'y LV-320 1pc
- Pendant switch PB-306 w/cord 1.25 mm<sup>2</sup> x 3C x 3 m 1pc

#### ► Read this manual carefully

You should carefully read and understand this manual before operating it. Careless winch operation may result in personal injury hazards or property damage.

#### ► Information requesting or parts ordering

Please specify the followings information:

- Winch PN
- Serial number
- Part description
- Replacement part number
- Quantity for each part

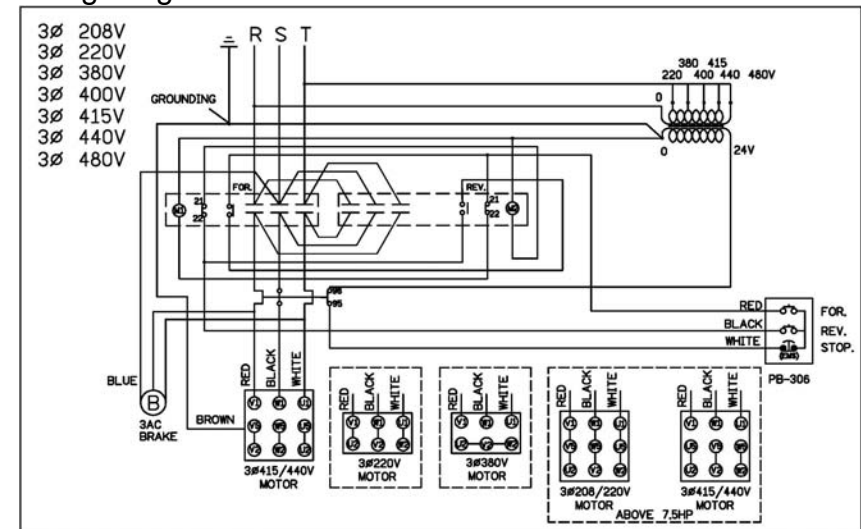
### Installation

Before using the winch, make sure all electrical components have no corrosion or damaged; the environment should be clear and dry.

#### ► Performance

Winch Model		CWG-30750									
Motor	kwxp	5.5 x 4					3.8 x 6				
Recommended Wire Rope	Size(mm)	16									
	Breaking (kg)	11,900									
1 <sup>st</sup> Layer	Rated Load (kg)	50Hz	4,014	2 <sup>nd</sup> Layer	Rated Load (kg)	50Hz	3,446	3 <sup>rd</sup> Layer	Rated Load (Kg)	50Hz	3,019
		60Hz	3,211			60Hz	2,756			60Hz	2,415
	Speed (m/min)	50Hz	6.9		Speed (m/min)	50Hz	8.1		Speed (M/min)	50Hz	9.2
		60Hz	4.5			60Hz	5.3			60Hz	6
	Rope-Winding Cumulating Sum (m)	50Hz	8.2		Rope-Winding Cumulating Sum (m)	50Hz	9.7		Rope-Winding Cumulating Sum (m)	50Hz	11
		60Hz	5.4			60Hz	6.3			60Hz	7.2
4 <sup>th</sup> Layer	Rated Load (kg)	50Hz	2,686	5 <sup>th</sup> Layer	Rated Load (kg)	50Hz	2,419	6 <sup>th</sup> Layer	Rated Load (kg)	50Hz	2,200
		60Hz	2,148			60Hz	1,935			60Hz	1,760
	Speed (m/min)	50Hz	10.4		Speed (m/min)	50Hz	11.5		Speed (m/min)	50Hz	12.6
		60Hz	6.8			60Hz	7.5			60Hz	8.3
	Rope-Winding Cumulating Sum (m)	50Hz	12.4		Rope-Winding Cumulating Sum (m)	50Hz	13.8		Rope-Winding Cumulating Sum (m)	50Hz	15.1
		60Hz	8.1			60Hz	9			60Hz	9.9
Rope-Winding Cumulating Sum (m)		56		Rope-Winding Cumulating Sum (m)		75		Rope-Winding Cumulating Sum (m)		100	

#### ► Wiring Diagram



### Warning

- The winch is not intended to be used in any manner for the movement or lifting of personnel.
- The lifting capacity shown is based on the top layer of rope on the drum.
- The rope winding on the drum shall remain 5 wraps from the drum.

## Parts List

Item No.	Description	Part No.	Qty
1	Motor kit	As arranged	1
2	Motor support rack kit	880610	1
3	Drum kit	880611	1
4	Connect shaft kit	880612	1
5	Tie bar kit	880613	4
6	Gearbox support rack kit	880614	1
7	3 <sup>rd</sup> stage carrier kit	880616	1
8	2 <sup>nd</sup> stage carrier kit	880618	1
9	2 <sup>nd</sup> & 3 <sup>rd</sup> ring gear kit	880619	1
10	Fix plate kit	880620	1
11	1 <sup>st</sup> stage carrier kit	880622	1
12	1 <sup>st</sup> ring gear kit	880623	1
13	1 <sup>st</sup> shaft kit	880624	1
14	Brake base kit	881638	1
15	Brake kit	As arranged	1
15-1	Brake disc	880626	2
15-2	Brake coil	As arranged	1
16	Brake rear cover kit	880627	1
17	Wire rope w/hook	880628	1
	Wire rope w/hook for PN:151736	884004	1
18	Low voltage control ass'y LV-320	As arranged	1
18-1	Remote control, PB-306	881048	1
19	Base plate kit	881637	1

### Part No. configurations:

Cycle	Voltage	kw x p	Motor
50 Hz	380 V	5.5 x 4	880637
50 Hz	220 / 380 /440 V	5.5 x 4	882619
50 Hz	400 V	5.5 x 4	881448
50 Hz	415 V	5.5 x 4	880638
50 Hz	440 V	5.5 x 4	880636

Cycle	Voltage	Brake kit	Brake coil	LV-320
50 Hz	380 V	881640	880648	881828
50 Hz	400 V	881641	881450	881829
50 Hz	415 V	881642	880649	881830
50 Hz	440 V	881643	880650	881833

### Standard Value for brake coil (50Hz):

Voltage	220V	380V	415V	440V
Black & Blue wires	28Ω	108Ω	117Ω	126Ω
Black & Red wires	12Ω	48Ω	52Ω	56Ω
Red & Blue wires	15Ω	54Ω	62Ω	70Ω

## Winch Assembly

