

Electric Winch Model: **CWG-31500**

P/N: w/5.5 kw x 6P motor
159521 415V/50Hz

Introduction

► Feature

- Lifting capacity: 3,500 kg at 50Hz wire rope top layer
- Lifting height: 144 m
- Lifting speed: 6P: 5.8-8 m/min
- Brake: Electromagnetic spring-applied failsafe brake
- Control: Pendant switch powers the winch

► Unpacking

- Winch assembly 1pc
- Low voltage control ass'y LV-320 1pc
- Low voltage control ass'y LV-360 for PN:155185 1pc
- Pendant switch PB-306 w/cord 1.25 mm² x 3C x 3 m 1pc

► Read this manual carefully

You should carefully read and understand this manual carefully before operating it. Careless winch operation may result in personal injury hazards or property damage.

► Information requesting or parts ordering

Please specify the followings information:

- Winch part number
- Part description
- Quantity for each part
- Serial number
- Replacement part number

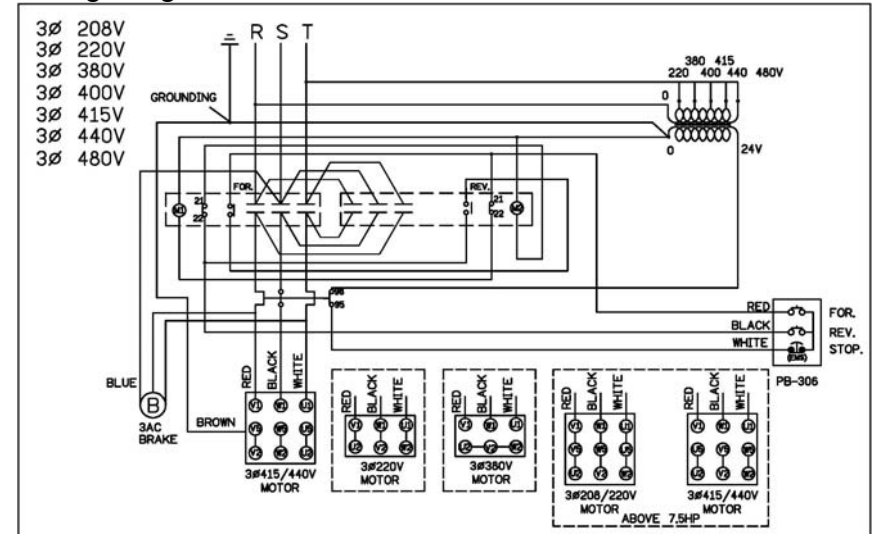
Installation

Before using the winch, make sure all electrical components have no corrosion or damaged; the environment should be clear and dry.

► Performance

Winch Model		CWG-31500												
Motor	kw x p	5.5 x 6					3.8 x 8							
Recommend Wire Rope	Size(mm)	18												
	Breaking (kg)	15,000												
1 st Layer	Rated Load (kg)	50Hz	4,848		Rated Load (kg)	50Hz	4,422		Rated Load (Kg)	50Hz	4,065			
	Speed (m/min)	50Hz	6P	5.8	2 nd Layer	Speed (m/min)	50Hz	6P	6.4	3 rd Layer	Speed (M/min)	50Hz	6P	6.9
			8P	4.4				8P	4.8				8P	5.2
Rope-Winding Cumulating Sum (m)				25	Rope-Winding Cumulating Sum (m)				53	Rope-Winding Cumulating Sum (m)				83
4 th Layer	Rated Load (kg)	50Hz	3,761		Rated Load (kg)	50Hz	3,500							
	Speed (m/min)	50Hz	6P	7.5	5 th Layer	Speed (m/min)	50Hz	6P	8					
			8P	5.6				8P	6					
Rope-Winding Cumulating Sum (m)				116	Rope-Winding Cumulating Sum (m)				150					

► Wiring Diagram



Warning

- The winch is not intended to be used in any manner for the movement or lifting of personnel.
- The lifting capacity shown is based on the top layer of rope on the drum.
- The rope winding on the drum shall remain 5 wraps from the drum.

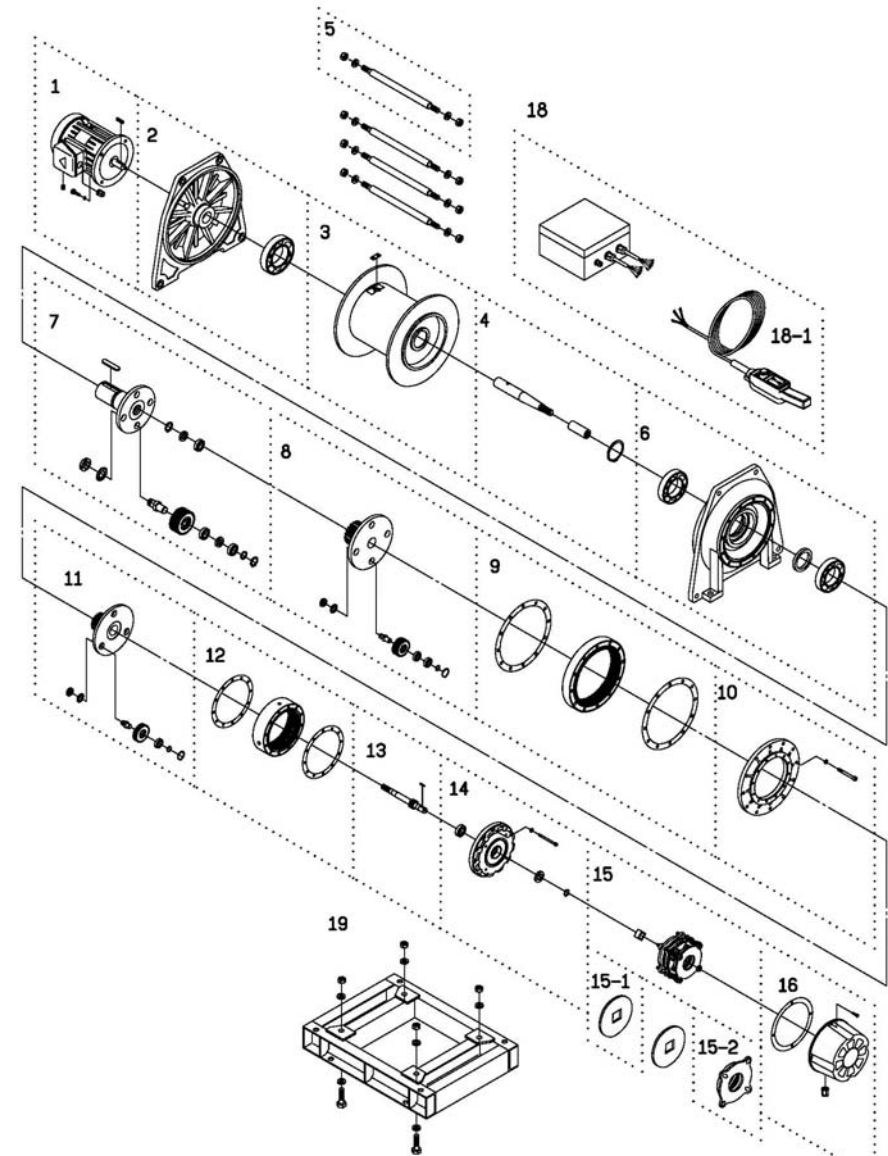
Parts List

Item No.	Description	Part No.	Qty
1	Motor kit	880675	1
2	Motor support rack kit	880651	1
3	Drum kit	880652	1
4	Connect shaft kit	880653	1
5	Tie bar kit	880654	4
6	Gearbox support rack kit	880655	1
7	3 rd stage carrier kit	881631	1
8	2 nd stage carrier kit	881632	1
9	3 rd ring gear kit	880660	1
10	Fix plate kit	880661	1
11	1 st stage carrier kit	881625	1
12	1 st & 2 nd ring gear kit	880664	1
13	1 st shaft kit	880665	1
14	Brake base kit	881443	1
15	Brake kit	881361	1
15-1	Brake disc	880626	2
15-2	Brake coil	880649	1
16	Brake rear cover kit	880627	1
17	-	-	-
18	Low voltage control ass'y LV-320	881828	1
18-1	Remote control,PB-306	881048	1
19	Base plate kit	880671	1

Standard Value for brake coil :

Voltage	415V
Black & Blue wires	117 Ω
Black & Red wires	52 Ω
Red & Blue wires	62 Ω

Winch Assembly



Ver:0