

Electric Winch

Model: CWG-30375

PN: w/3.8kw x 4P motor			
153750	220V50Hz	155730	380V50Hz
156581	400V50Hz	152547	415V50Hz
		154123	415V50Hz

Introduction

► Feature

- Lifting capacity: 900 kg at 50Hz wire rope top layer
- Lifting height: 58 m
- Lifting speed: 4P: 13-20.6 m/min at 50Hz ; 6P: 8.5-13.5 m/min at 50Hz
- Brake: Electromagnetic spring-applied failsafe brake
- Control: Pendant switch powers the winch

► Unpacking

- Winch assembly 1pc
- Wire rope 10 mm x 60 m w/safety hook 1pc
- Low voltage control ass'y LV-320 1pc
- Pendant switch PB-306 w/cord 1.25 mm² x 3C x 3 m 1pc

► Read this manual carefully

You should carefully read and understand this manual before operating it. Careless winch operation may result in personal injury hazards or property damage.

► Information requesting or parts ordering

Please specify the followings information:

- Winch PN
- Serial number
- Part description
- Replacement part number
- Quantity for each part

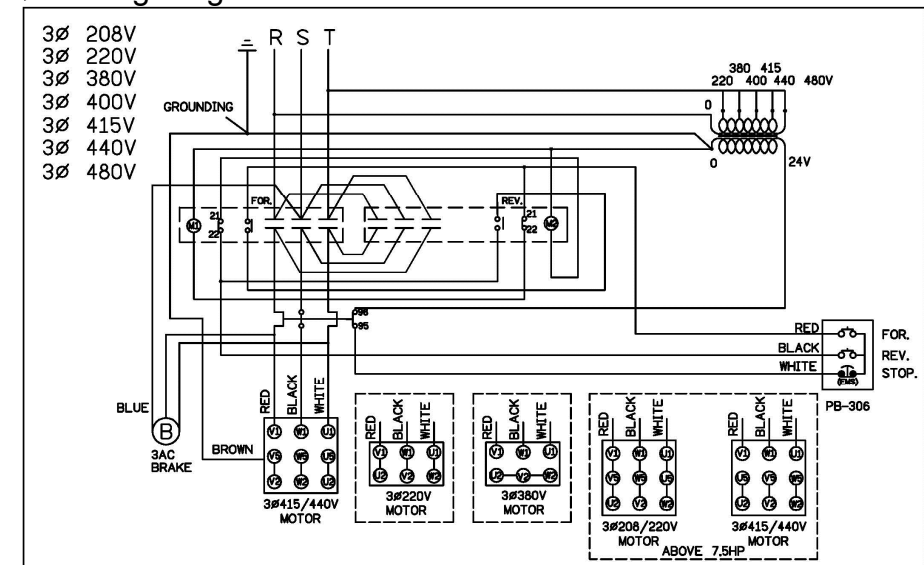
Installation

Before using the winch, make sure all electrical components have no corrosion or damaged; the environment should be clear and dry.

► Performance

Winch Model		CWG-30375															
Motor		kw x p		3.8 x 4					2.2 x 6								
Recommend Wire Rope		Size(mm)		10.0													
		Breaking (kg)		4,640													
1 st Layer	Rated Load (kg)	50Hz		1,426		2 nd Layer	Rated Load (kg)	50Hz		1,244		3 rd Layer	Rated Load (kg)	50Hz		1,103	
	Speed (m/min)	50Hz		4P: 13 6P: 8.5			Speed (m/min)	50Hz		4P: 14.9 6P: 9.8			Speed (m/min)	50Hz		4P: 16.8 6P: 11	
	Rope-Winding Cumulating Sum(m)		10		Rope-Winding Cumulating Sum(m)		20		Rope-Winding Cumulating Sum(m)		33						
4 th Layer	Rated Load (kg)	50Hz		991		5 th Layer	Rated Load (kg)	50Hz		900							
	Speed (m/min)	50Hz		4P: 18.7 6P: 12.2			Speed (m/min)	50Hz		4P: 20.6 6P: 13.5							
	Rope-Winding Cumulating Sum(m)		46		Rope-Winding Cumulating Sum(m)		60										

► Wiring Diagram



Warning

- The winch is not intended to be used in any manner for the movement or lifting of personnel.
- The lifting capacity shown is based on the top layer of rope on the drum.
- The rope winding on the drum shall remain 5 wraps from the drum.

Parts List

Item No.	Description	Part No.	Qty
1	Motor kit	As arranged	1
2	Motor support rack kit	880739	1
3	Drum kit	880740	1
4	Connect shaft kit	880741	1
5	Tie bar	880742	4
6	Gearbox support rack kit	880743	1
7	2 nd stage carrier kit	881579	1
8	Ring gear kit	880746	1
9	1 st stage carrier kit	881580	1
10	1 st shaft kit	880749	1
11	Brake base kit	880750	1
12	Brake kit	As arranged	1
12-1	Brake disc	880751	1
12-2	Brake coil	As arranged	1
13	Brake rear cover	880752	1
14	Wire rope w/hook	880753	1
15	Low voltage control ass'y LV-320	As arranged	1
15-1	Remote control,PB-306	881048	1
16	Base plate kit	880755	1

Part No. configurations:

Cycle	Voltage	Kw x p	Motor
50 Hz	220 / 380 V	3.8 x 4	880758
50 Hz	200 / 400 V	3.8 x 4	881363
50 Hz	415 V	3.8 x 4	880759

Voltage	Brake kit	Brake coil	LV-320
220 V/ 50Hz	880764	880768	882151
380 V/ 50Hz	881340	880769	881821
400 V/ 50Hz	881341	881364	881822
415 V/ 50Hz	881342	880770	881823

Standard Value for brake coil (50Hz):

Voltage	220V	380V	400V	415V	440V
Black & Blue wires	25Ω	96Ω	105Ω	106Ω	115Ω
Black & Red wires	11Ω	42Ω	48Ω	47Ω	51Ω
Red & Blue wires	14Ω	54Ω	60Ω	60Ω	65Ω

Winch Assembly

