



Electric Winch

Model: **CWG-30151**

PN: 150511 380V50Hz 153388 380V50Hz
 154564 415V50Hz
 931625 220/380V60Hz

Introduction

► Feature

- Lifting capacity: 500 kg wire rope top layer
- Lifting height: 58 m
- Lifting speed: 12-18 m/min at 50Hz ; 14-21 m/min at 60Hz
- Brake: Electromagnetic spring-applied failsafe brake
- Control: Pendant switch powers the winch

► Unpacking

- Winch assembly 1pc
- Wire rope 9 mm x 60 m w/weight hook CHW-0005 1pc
- Wire rope 8 mm x 100 m w/weight hook CHW-0005 for PN:150511 / 154564 / 931625 1pc
- Pendant switch PB-331 w/cord 2.0 mm² x 5C x 3 m 1pc

► Read this manual carefully

You should carefully read and understand this manual carefully before operating it. Careless winch operation may result in personal injury hazards or property damage.

► Information requesting or parts ordering

Please specify the followings information:

- Winch PN
- Serial number
- Part description
- Replacement part number
- Quantity for each part

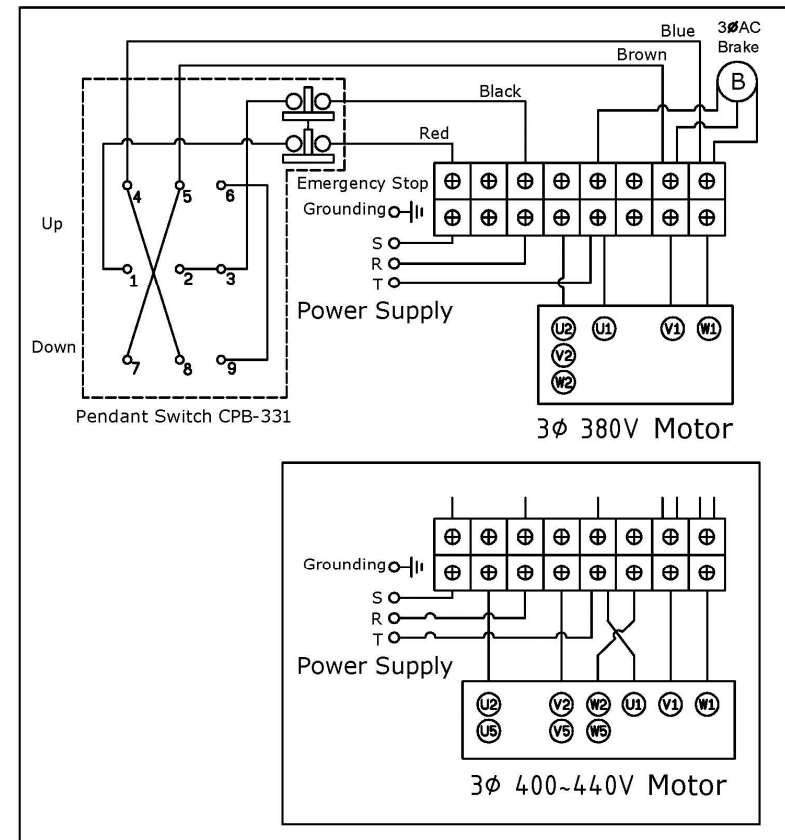
Installation

Before using the winch, make sure all electrical components have no corrosion or damaged; the environment should be clear and dry.

► Performance

Winch Model				CWG-30151							
Motor	kw x p			1.5 x 4							
Recommend Wire Rope	Size(mm)			9							
	Breaking (kg)			3,750							
1 st Layer	Rated Load (kg)	50Hz	742	2 nd Layer	Rated Load (kg)	50Hz	662	3 rd Layer	Rated Load (kg)	50Hz	597
	Speed (m/min)	50Hz	12		Speed (m/min)	50Hz	13.3		Speed (m/min)	50Hz	14.8
		60Hz	14			60Hz	16.1			60Hz	17.8
	Rope-Winding Cumulating Sum (m)		12		Rope-Winding Cumulating Sum (m)		26		Rope-Winding Cumulating Sum (m)		40
4 th Layer	Rated Load (kg)	50Hz	544	5 th Layer	Rated Load (kg)	50Hz	500				
	Speed (m/min)	50Hz	16.2		Speed (m/min)	50Hz	18				
		60Hz	19.6			60Hz	21				
	Rope-Winding Cumulating Sum (m)		57		Rope-Winding Cumulating Sum (m)		60				

► Wiring Diagram



Warning

- The winch is not intended to be used in any manner for the movement or lifting of personnel.
- The lifting capacity shown is based on the top layer of rope on the drum.
- The rope winding on the drum shall remain 5 wraps from the drum.

Parts List

Item No.	Description	Part No.	Qty
1	Induction motor kit 380 V	880827	1
	Induction motor kit 415 V	880828	
	Induction motor kit 220V / 380V 60Hz	880825	
2	Control kit 380V,PB-331	881968	1
	Control kit 415V,PB-331	882176	
3	Motor support rack kit	880806	1
4	Drum kit	880807	1
5	Connect shaft kit	880808	1
6	Gearbox support rack kit	880809	1
7	2 nd stage carrier kit	881663	1
8	1 st stage carrier kit	881664	1
9	Gear box kit	880814	1
10	1 st shaft kit	880815	1
11	Gearbox rear cover kit	880816	1
15A	Brake kit 380V	882044	1
15B	Brake kit 415V	882045	
15C	Brake kit DC 90V for PN:931625	882042	
15-1	Brake disc	882046	1
15-2A	Brake coil 380V	882049	1
15-2B	Brake coil 415V	882050	
15-2C	Brake coil DC 90V for PN:931625	882047	
17	Brake cover kit	880822	1
18	Wire rope w/weight hook 9 mm x 60 m	880823	1
	Wire rope w/weight hook 8 mm x100 m	881456	1
19	Base plate kit	880824	1

Winch Assembly

