



# Electric Winch

## Model: **CWG-10151**

PN: 152350 230V50Hz 151241 240V50Hz  
155114 230V50Hz **150294** 220V50Hz

### Introduction

#### ► Feature

- Lifting capacity: 400 kg wire rope top layer
- Lifting height: 58 m
- Lifting speed: 12-18 m/min at 50Hz
- Brake: Electromagnetic spring-applied failsafe brake
- Control: Pendant switch powers the winch

#### ► Unpacking

- Winch assembly 1pc
- Wire rope 9 mm x 60 m w/weight hook CHW-0005 1pc
- Wire rope 8 mm x 100 m w/weight hook CHW-0005 for PN:155114 1pc
- **Untwist wire rope 7 mm x 120 m for PN:150294** 1pc
- Pendant switch PB-331 w/cord 3.5 mm<sup>2</sup> x 5C x 3 m 1pc

#### ► Read this manual carefully

You should carefully read and understand this manual carefully before operating it. Careless winch operation may result in personal injury hazards or property damage.

#### ► Information requesting or parts ordering

Please specify the followings information:

- Winch PN
- Serial number
- Part description
- Replacement part number
- Quantity for each part

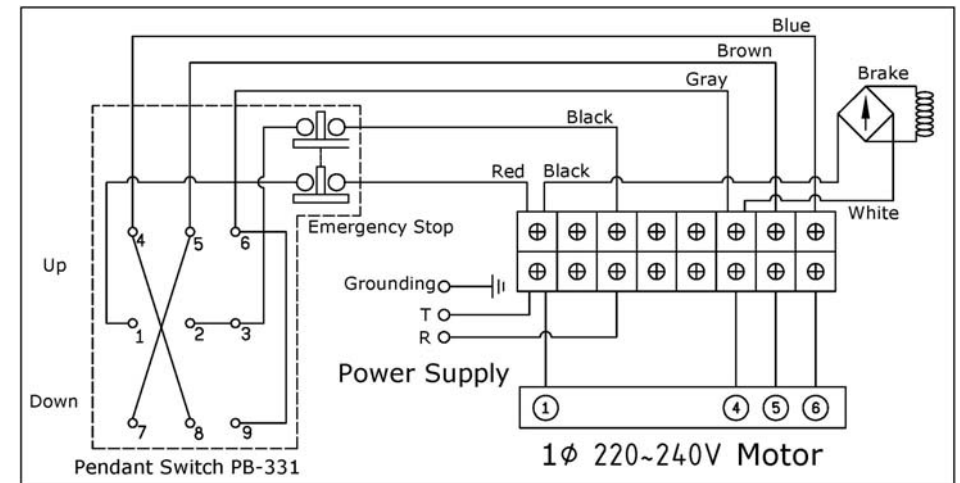
### Installation

Before using the winch, make sure all electrical components have no corrosion or damaged; the environment should be clear and dry.

#### ► Performance

Winch Model				CWG-10151							
Motor		kw x p		1.5 x 4							
Recommend Wire Rope		Size(mm)		9							
		Breaking (kg)		3,750							
1 <sup>st</sup> Layer	Rated Load (kg)	50Hz	593	2 <sup>nd</sup> Layer	Rated Load (kg)	50Hz	529	3 <sup>rd</sup> Layer	Rated Load (kg)	50Hz	478
	Speed (m/min)	50Hz	12		Speed (m/min)	50Hz	13.3		Speed (m/min)	50Hz	14.8
	Rope-Winding Cumulating Sum (m)		12		Rope-Winding Cumulating Sum (m)		26		Rope-Winding Cumulating Sum (m)		40
4 <sup>th</sup> Layer	Rated Load (kg)	50Hz	436	5 <sup>th</sup> Layer	Rated Load (kg)	50Hz	400				
	Speed (m/min)	50Hz	16.2		Speed (m/min)	50Hz	18				
	Rope-Winding Cumulating Sum (m)		57		Rope-Winding Cumulating Sum (m)		60				

#### ► Wiring Diagram



### Warning

- The winch is not intended to be used in any manner for the movement or lifting of personnel.
- The lifting capacity shown is based on the top layer of rope on the drum.
- The rope winding on the drum shall remain 5 wraps from the drum.

## Parts List

Item No.	Description	Part No.	Qty
1	Induction motor kit 220V	880841	1
	Induction motor kit 240V	880842	
	Induction motor kit 230V	882543	
2	Control kit 230V/240V,PB-331	881969	1
	Control kit 230V,PB-331	882177	
3	Motor support rack kit	880806	1
4	Drum kit	880807	1
5	Connect shaft kit	880808	1
6	Gearbox support rack kit	880809	1
7	2 <sup>nd</sup> stage carrier kit	881663	1
8	1 <sup>st</sup> stage carrier kit	881664	1
9	Gear box kit	880814	1
10	1 <sup>st</sup> shaft kit	880815	1
11	Gearbox rear cover kit	880816	1
15	Brake kit DC 90V	882042	1
15-1	Brake disc	882046	1
15-2	Brake coil DC 90V	882047	1
17	Brake cover kit	880822	1
18	Wire rope w/weight hook 9 mm x 60 m	880823	1
	Wire rope w/weight hook 8 mm x 100 m	881456	
	Untwist wire rope w/weight hook for PN:150294	883697	
19	Base plate kit	880824	1

## Winch Assembly

