

## Electric Winch Model: **CWG-10077**

PN: 157766 110V50Hz 152260 220V50Hz 152450 240V50Hz  
 157774 110V50Hz 155074 220V50Hz 152478 240V50Hz  
 150730 110V50Hz 154050 240V50Hz 150655 240V50Hz

### Introduction

#### ► Feature

- Lifting capacity: 300 kg wire rope top layer
- Lifting height: 58 m for standard 6 mm x 60 m rope
- Lifting speed: 12-19 m/min at 50Hz
- Brake: Electromagnetic spring-applied failsafe brake
- Control: Pendant switch powers the winch

#### ► Unpacking

- Winch assembly 1pc
- Wire rope 6 mm x 60 m for PN:157766 、 152260 、 152450 、 150730 1pc
- Wire rope 7 mm x 40 m for PN:152478 、 157774 、 155074 、 154050 1pc
- Wire rope 6 mm x 55 m for PN:150655 1pc
- Weight hook CHW-0031 1pc
- Pendant switch PB-331 w/cord 3.5 mm<sup>2</sup> x 5C x 3 m 1pc

#### ► Read this manual carefully

You should carefully read and understand this manual before operating it. Careless winch operation may result in personal injury hazards or property damage.

#### ► Information requesting or parts ordering

Please specify the followings information:

- Winch PN
- Serial number
- Part description
- Replacement part number
- Quantity for each part

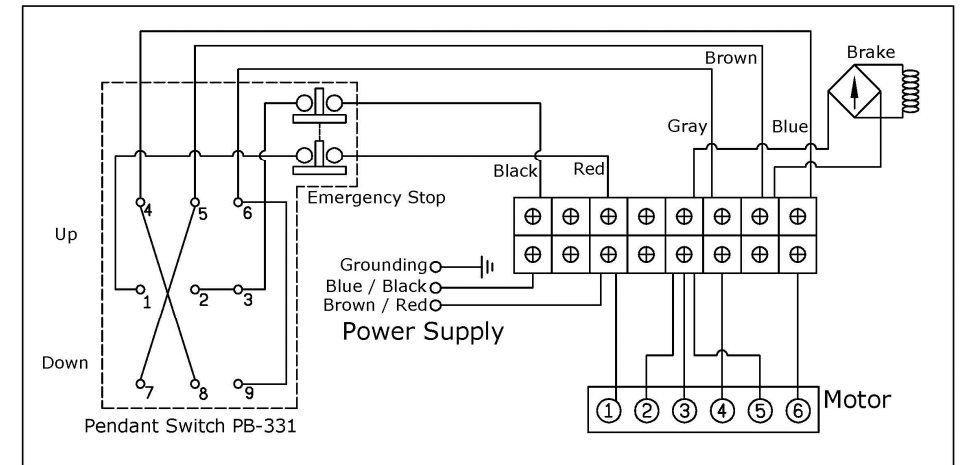
### Installation

Before using the winch, make sure all electrical components have no corrosion or damaged; the environment should be clear and dry.

#### ► Performance

Winch Model			CWG-10077						
Motor	hp x p	1.5 x 4							
Recommend Wire Rope	Size(mm)	6							
	Breaking (kg)	2,010							
1 <sup>st</sup> Layer	Rated Load (kg)	50Hz	467	Rated Load (kg)	50Hz	420	Rated Load (kg)	50Hz	382
	Speed (m/min)	50Hz	12	Speed (m/min)	50Hz	13.5	Speed (m/min)	50Hz	14.9
	Rope-Winding Cumulating Sum (m)		8.1	Rope-Winding Cumulating Sum (m)		17.2	Rope-Winding Cumulating Sum (m)		27.1
4 <sup>th</sup> Layer	Rated Load (kg)	50Hz	350	Rated Load (kg)	50Hz	323	Rated Load (kg)	50Hz	300
	Speed (m/min)	50Hz	16.2	Speed (m/min)	50Hz	17.6	Speed (m/min)	50Hz	19
	Rope-Winding Cumulating Sum (m)		38	Rope-Winding Cumulating Sum (m)		50	Rope-Winding Cumulating Sum (m)		60

#### ► Wiring Diagram



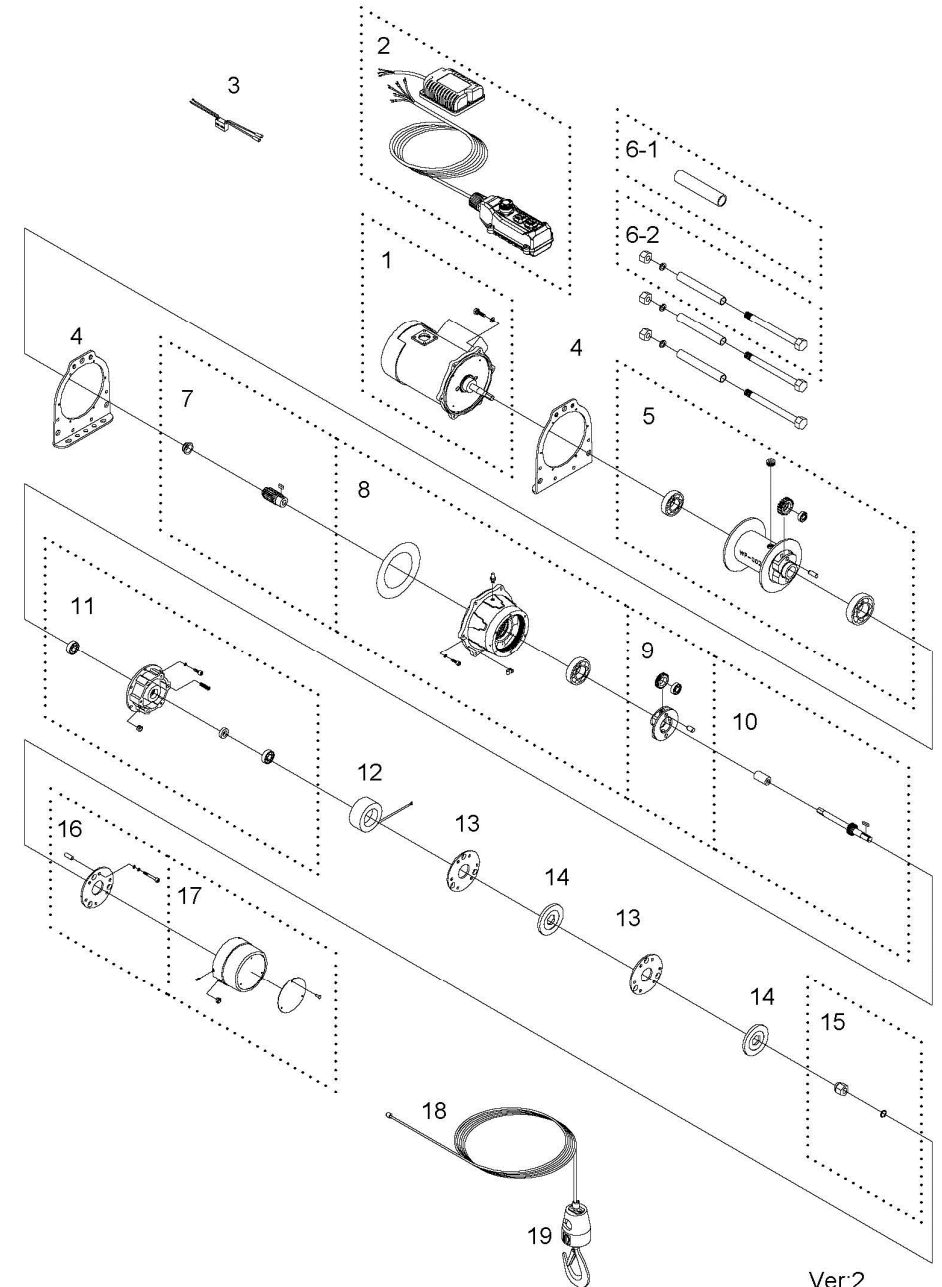
## Warning

- The winch is not intended to be used in any manner for the movement or lifting of personnel.
- The lifting capacity shown is based on the top layer of rope on the drum.
- The rope winding on the drum shall remain 5 wraps from the drum.

## Parts List

Item No.	Description	Part No.	Qty
1	Induction motor kit, 110V/220V/50Hz	880795	1
	Induction motor kit, 240V/50Hz	880796	
2	Control kit, PB-331	882029	1
3	Bridge rectifier	880368	1
4	Support bracket	880776	2
5	Drum kit	880777	1
6-1	Tie bar	881863	1
6-2	Tie bar kit	880778	3
7	2 <sup>nd</sup> shaft kit	880781	1
8	Gear box kit	880782	1
9	1 <sup>st</sup> stage carrier kit	880783	1
10	1 <sup>st</sup> shaft kit	880784	1
11	Conductor kit	880785	1
12	Brake coil	880786	1
13	Conductor plate A	880787	2
14	Brake disc	880379	2
15	Hex socket	880790	1
16	Conductor plate A	880788	1
17	Brake cover kit	880792	1
18	Wire rope 6 mm x 60 m	881328	1
	Wire rope 7 mm x 40 m	880793	
	Wire rope 6 mm x 55 m	881633	
19	Weight hook, CHW-0031	880384	1

## Winch Assembly



Ver:2