



# Electric Winch

## Model: CP-750T

PN: 157555 380V50Hz 157730 400V50Hz  
 157688 415V50Hz 157690 415V50Hz  
 157540 440V50Hz

### Introduction

#### ► Feature

- Lifting capacity: 750 kg wire rope top layer
- Lifting height: 58 m
- Lifting speed: 10-15 m/min at 50Hz
- Brake: Electromagnetic spring-applied failsafe brake
- Control: Pendant switch powers the winch

#### ► Unpacking

- Winch assembly 1pc
- Wire rope 9 mm x 60 m w/hook 1pc
- Low voltage control ass'y LV-320 1pc
- Pendant switch PB-306 w/cord 1.25 mm<sup>2</sup> x 3C x 3 m 1pc

#### ► Read this manual carefully

You should carefully read and understand this manual before operating it. Careless winch operation may result in personal injury hazards or property damage.

#### ► Information requesting or parts ordering

Please specify the followings information:

- Winch PN
- Serial number
- Part description
- Replacement part number
- Quantity for each part

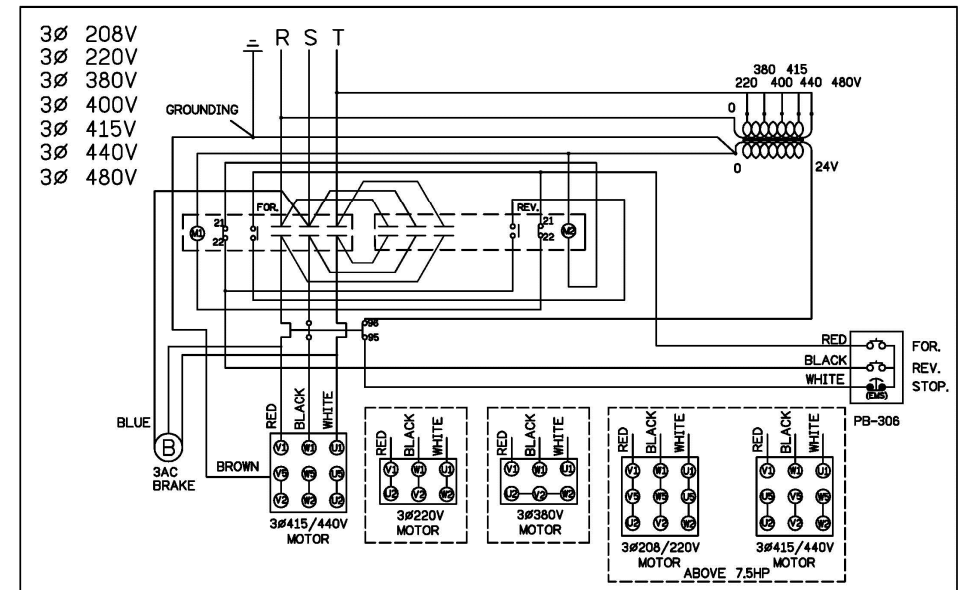
### Installation

Before using the winch, make sure all electrical components have no corrosion or damaged; the environment should be clear and dry.

#### ► Performance

Winch Model		CP-750T									
Motor	kw x p	2.2 x 4									
Recommend Wire Rope	Size (mm)	9									
	Breaking (kg)	3,750									
1 <sup>st</sup> Layer	Rated Load (kg)	50Hz	1,188	2 <sup>nd</sup> Layer	Rated Load (kg)	50Hz	1,036	3 <sup>rd</sup> Layer	Rated Load (kg)	50Hz	920
	Speed (m/min)	50Hz	10		Speed (m/min)	50Hz	11.0		Speed (m/min)	50Hz	12.4
	Rope-Winding Cumulating Sum (m)	9.9			Rope-Winding Cumulating Sum (m)	21.3			Rope-Winding Cumulating Sum (m)	34.2	
4 <sup>th</sup> Layer	Rated Load (kg)	50Hz	826	5 <sup>th</sup> Layer	Rated Load (kg)	50Hz	750				
	Speed (m/min)	50Hz	13.8		Speed (m/min)	50Hz	15				
	Rope-Winding Cumulating Sum (m)	48.5			Rope-Winding Cumulating Sum (m)	60					

#### ► Wiring Diagram



## Warning

- The winch is not intended to be used in any manner for the movement or lifting of personnel.
- The lifting capacity shown is based on the top layer of rope on the drum.
- The rope winding on the drum shall remain 5 wraps from the drum.

## Parts List

Item No.	Description	Part No.	Qty
1	Induction motor kit 380V	880917	1
	Induction motor kit 400V	882267	
	Induction motor kit 415V	880918	
	Induction motor kit 440V	882677	
2	Motor support rack kit	881031	1
3	Drum kit	881032	1
4	Connect shaft kit	881033	1
5	Tie bar kit	881034	2
6	Gearbox support rack kit	881035	1
7	2 <sup>nd</sup> stage carrier kit	880907	1
8	1 <sup>st</sup> stage carrier kit	880909	1
9	Gear box kit	880910	1
10	1 <sup>st</sup> shaft kit	880911	1
11	Gearbox rear cover kit	880912	1
12	Brake kit 380V	881257	1
	Brake kit 400V	882268	
	Brake kit 415V	881258	
	Brake kit 440V	881260	
12-1	Brake disc	880919	1
12-2	Brake coil 380V	880924	1
	Brake coil 400V	882269	
	Brake coil 415V	880925	
	Brake coil 440V	880926	
13	Brake rear cover kit	881130	1
14	Wire rope w/hook 9 mm x 60 m	881131	1
15	Low voltage control ass'y LV-320,380V	881821	1
	Low voltage control ass'y LV-320,400V	881822	
	Low voltage control ass'y LV-320,415V	881823	
	Low voltage control ass'y LV-320,440V	882678	
15-1	Remote control, PB-306	881048	1
16	Base plate kit	880914	1

## Winch Assembly

