

Electric Winch

Model: CP-250

PN:150387	110V50Hz	159632	220V50Hz
157410	240V50Hz	154658	220V50Hz
159633	230V50Hz	151240	240V50Hz
		152468	240V50Hz

Introduction

► Feature

- Lifting capacity: 250 kg at wire rope top layer
- Lifting height: 29 m
- Lifting speed: 10-15 m/min at 50Hz
- Brake: Electromagnetic spring-applied failsafe brake
- Control: Pendant switch powers the winch

► Unpacking

- Winch assembly 1pc
- Wire rope 6 mm x 30 m except for PN: 154658 1pc
- Weight hook CHW-0031 except for PN: 154658 1pc
- Power lead 1.5 mm² x 3C x 3 m and plug 1pc
- Pendant switch PB-331 w/cord 2.0mm² x 5C x 3 m 1pc

► Read this manual carefully

You should carefully read and understand this manual before operating it. Careless winch operation may result in personal injury hazards or property damage.

► Information requesting or parts ordering

Please specify the followings information:

- Winch PN
- Serial number
- Part description
- Replacement part number
- Quantity for each part

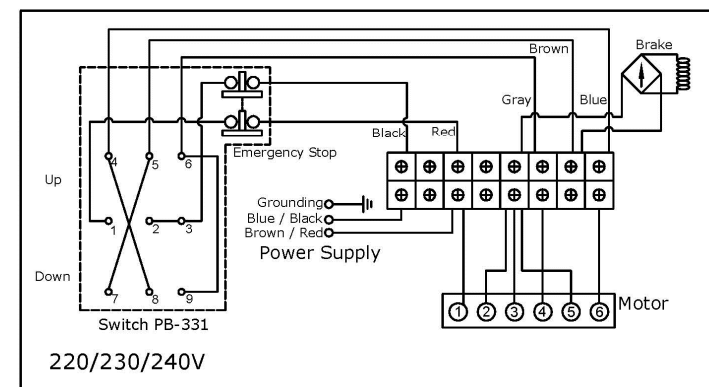
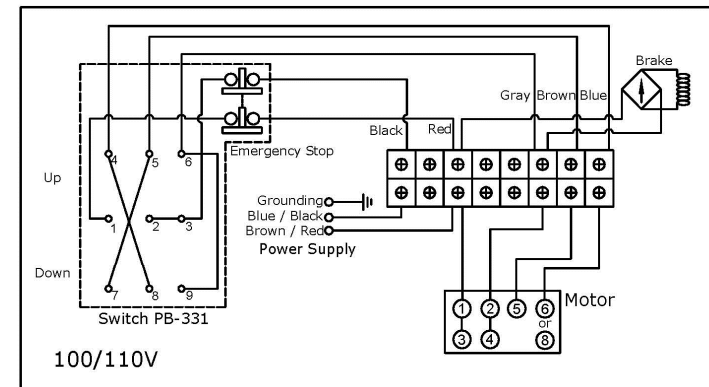
Installation

Before using the winch, make sure all electrical components have no corrosion or damaged; the environment should be clear and dry.

► Performance

Winch Model				CP-250							
Motor		kw x p		0.75 x 4							
Recommend Wire Rope		Size(mm)		6							
		Breaking (kg)		2,010							
1 st Layer	Rated Load (kg)	50Hz	370	2 nd Layer	Rated Load (kg)	50Hz	330	3 rd Layer	Rated Load (kg)	50Hz	298
	Speed (m/min)	50Hz	10		Speed (m/min)	50Hz	11.3		Speed (m/min)	50Hz	12.5
	Rope-Winding Cumulating Sum (m)		5.4		Rope-Winding Cumulating Sum (m)		11.5		Rope-Winding Cumulating Sum (m)		18.3
4 th Layer	Rated Load (kg)	50Hz	272	5 th Layer	Rated Load (kg)	50Hz	250				
	Speed (m/min)	50Hz	13.8		Speed (m/min)	50Hz	15.0				
	Rope-Winding Cumulating Sum (m)		25.7		Rope-Winding Cumulating Sum (m)		30				

► Wiring Diagram



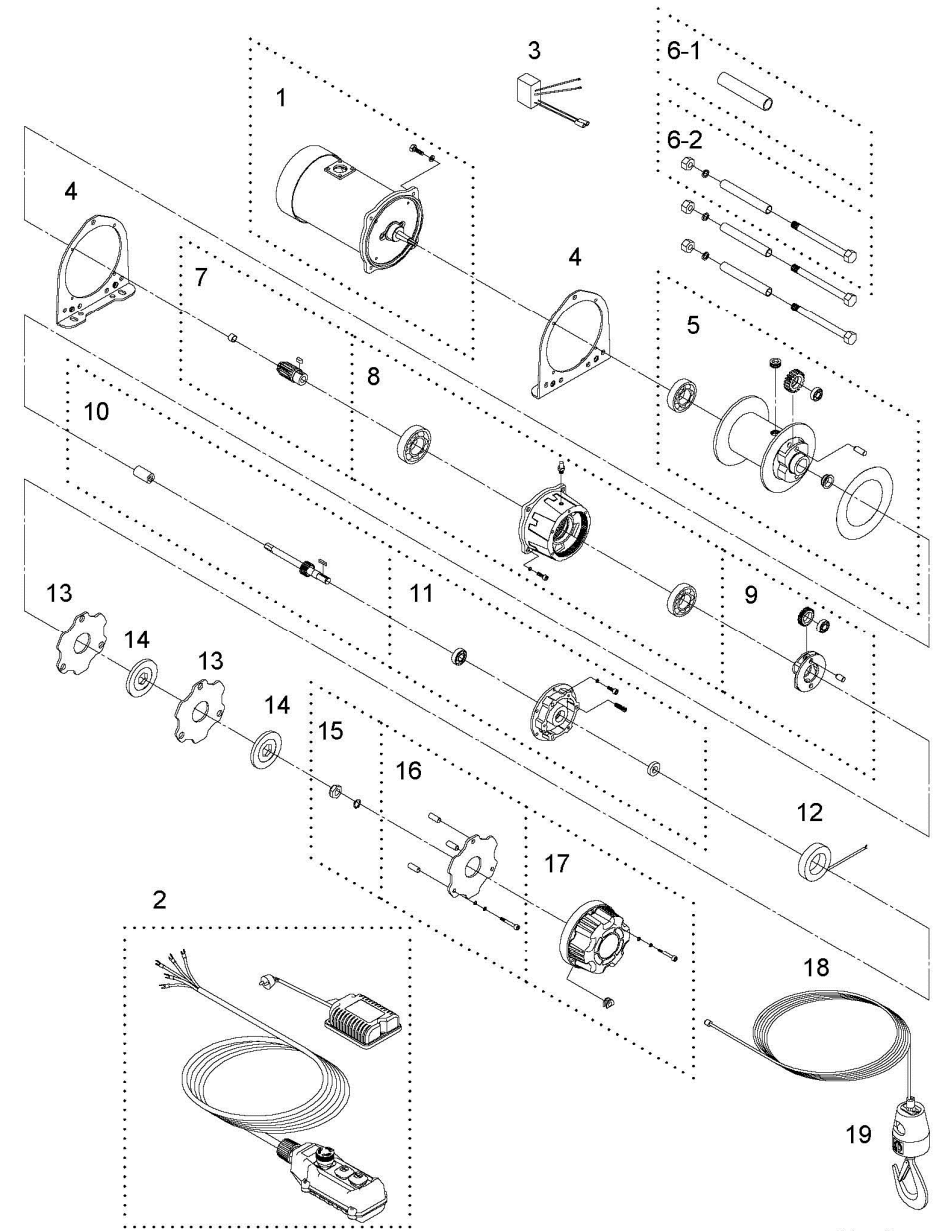
Warning

- The winch is not intended to be used in any manner for the movement or lifting of personnel.
- The lifting capacity shown is based on the top layer of rope on the drum.
- The rope winding on the drum shall remain 5 wraps from the drum.

Parts List

Item No.	Description	Part No.	Qty
1	Induction motor kit , 110/220V	880405	1
	Induction motor kit , 240V	880406	
	Induction motor kit , 230V	882541	
2	Control kit, 3 round pins	881751	1
	Control kit, 3 flat pins	881965	
3	Bridge rectifier	880368	1
4	Support bracket	880369	2
5	Drum kit	880370	1
6-1	Tie bar	881862	1
6-2	Tie bar kit	880371	3
7	2 nd shaft kit	880372	1
8	Gear box kit	880373	1
9	1 st stage carrier	880374	1
10	1 st shaft kit	880375	1
11	Conductor kit	880376	1
12	Brake coil 110V	880377	1
13	Conductor plate A	880403	2
14	Brake disc	880379	2
15	Hex socket	880380	1
16	Conductor plate B kit	880381	1
17	Brake cover	880382	1
18	Wire rope	880383	1
19	Weight hook CHW-0031	880384	1

Winch Assembly



Ver:3