

C-Track System

Flexible
Cable
Solution





C-Track System

Providing an easy solution to supplying power to moving hoists, cranes and other machinery without cables getting in the way.



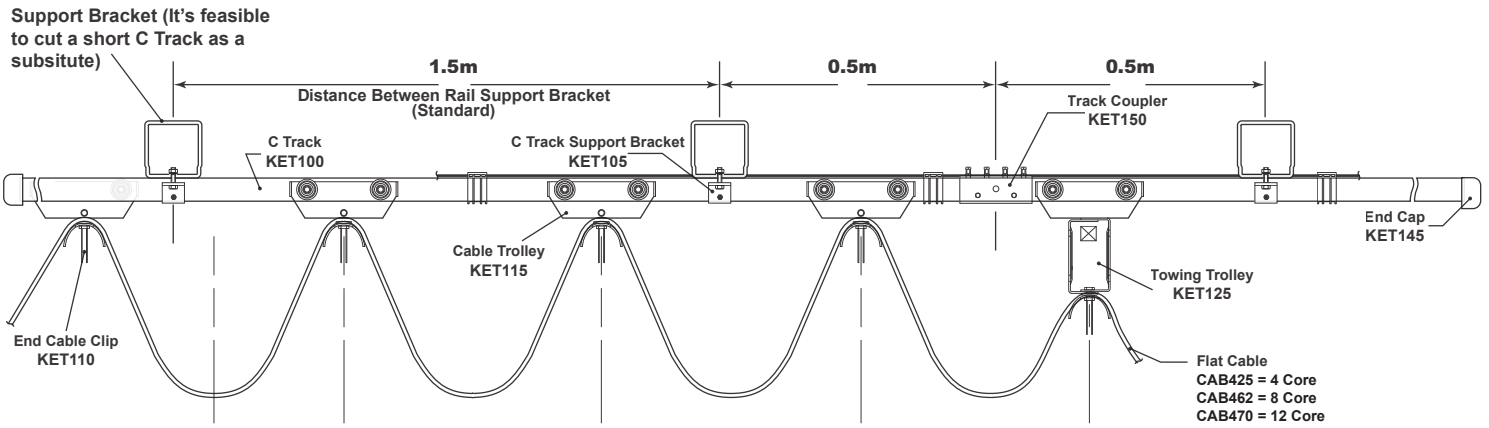


PACIFIC HOISTS

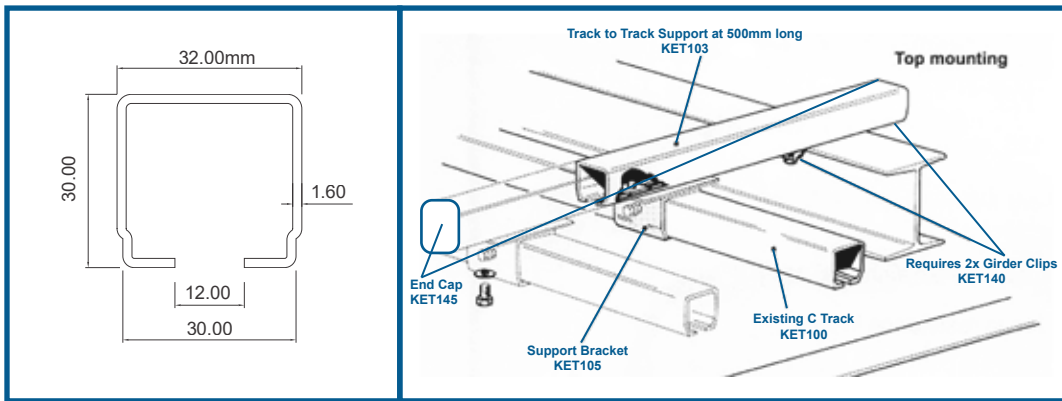
INVENT THE FUTURE

C-Track System	Carrying Capacity (Kg)	Recommended Maximum Speed (m/min)
Standard Duty	15	70
Medium Duty	25	70
Heavy Duty	50	90

PVC FLAT CABLE



1. Structure Data



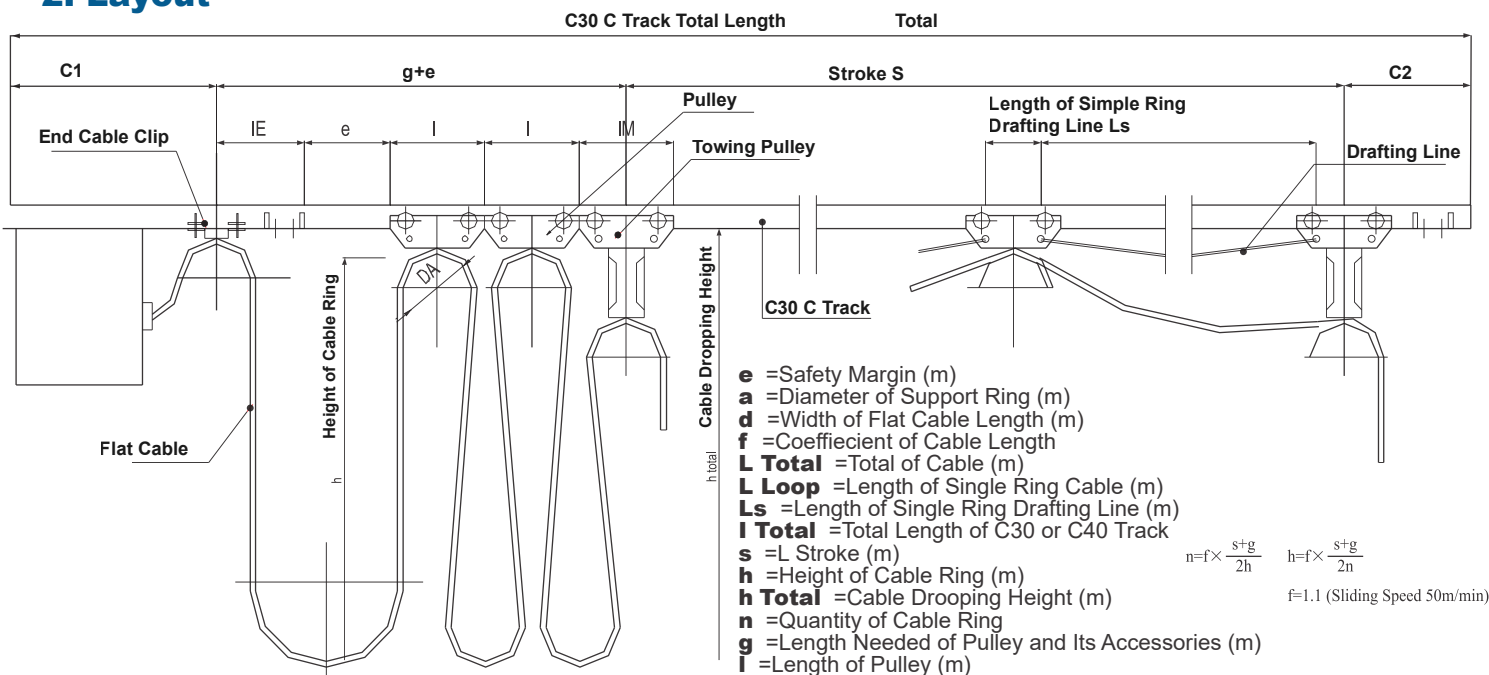
C30 C-Rail Cross Section Chart

Type	Material	Length (mm)	Length Tolerance (mm)	Thicknes (mm)	Physics Characteristic			Weight (Kg/m)
					Ix (cm ⁴)	Wx (cm ³)	e (mm)	
KET100	Galvanized Steel	4000	±5	1.6±0.1	1.97	1.23	16	1.15±0.1

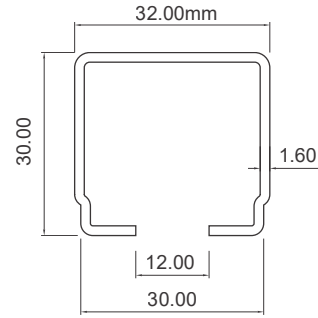
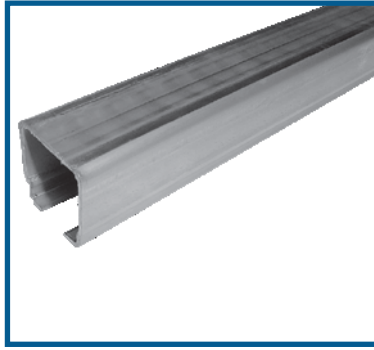
System Components

End Clamp	KET110
End Cap	KET145
Cable Trolley	KET115
Track Support Bracket	KET105
Track Splice Joint	KET150
End Stop / Girder Clip	KET140
Towing Trolley	KET125
4 Metre C Track	KET100
Roving Trolley assembly for 16 pin Pendant	KET155
4 Core Platform Cable 2.5mm	CAB425
8 Core Platform Cable	CAB462
12 Core Platform Cable	CAB470

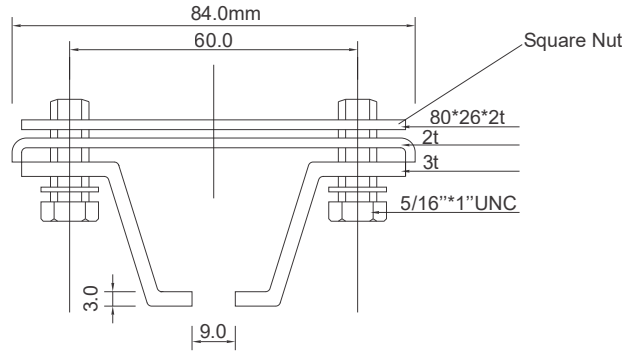
2. Layout



TRACK & PARTS DIAGRAMS



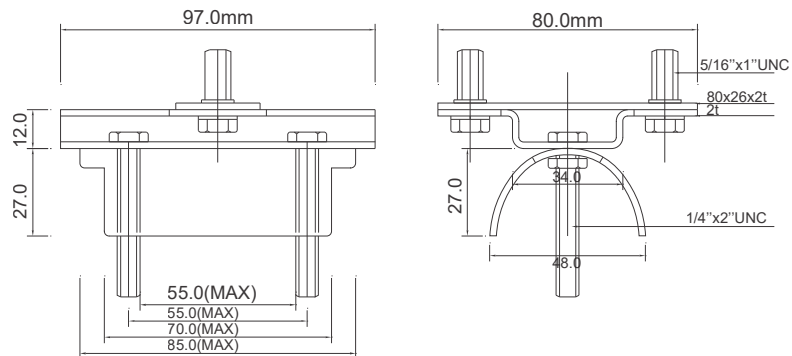
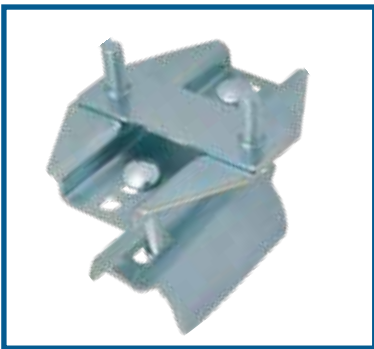
KET100
C30
4 Metre C-Track



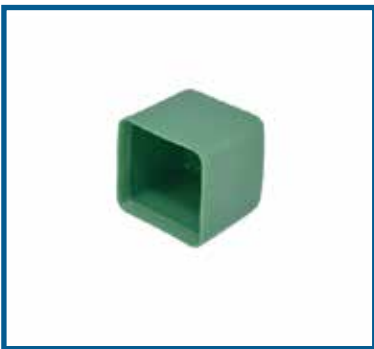
KET105
C30
C-Track Support
Bracket



KET140
C30
End Stop/
Girder Clip

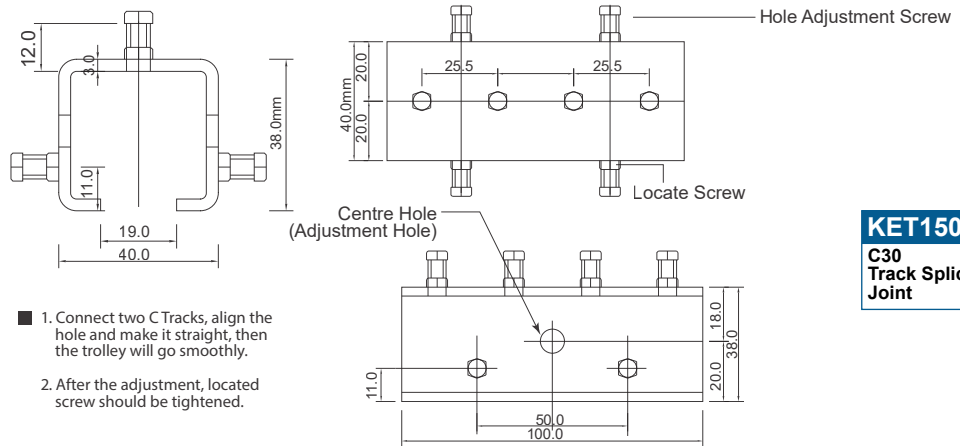


KET110
C30 End Clamp



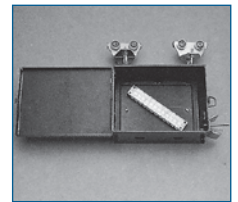
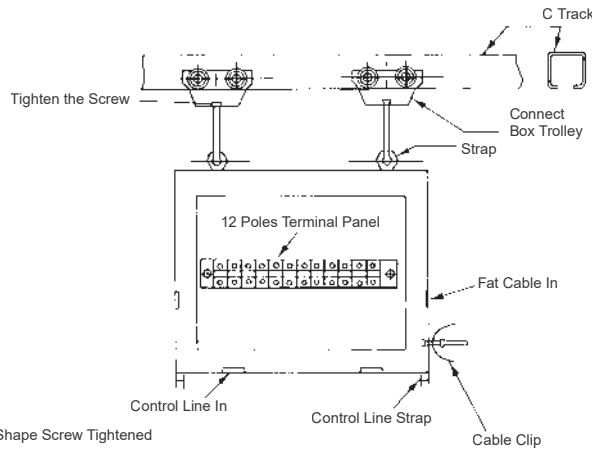
KET145
C30 End Cap

TRACK & PARTS DIAGRAMS



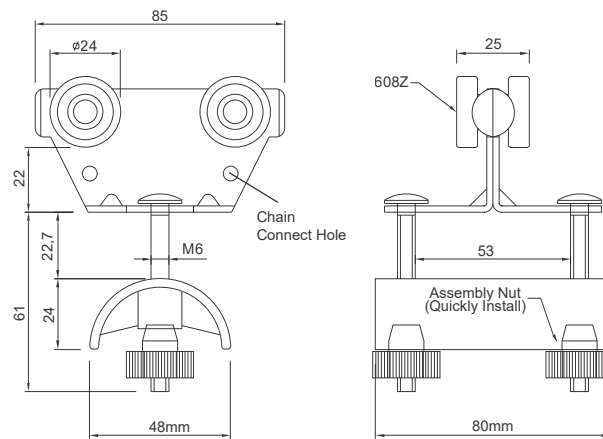
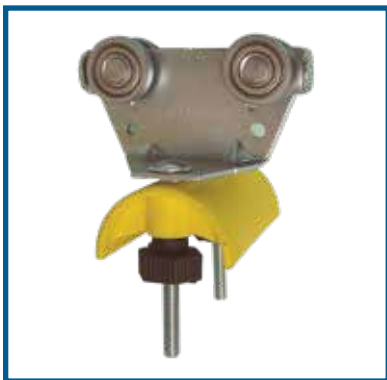
KET150
C30
Track Splice
Joint

- 1. Connect two CTracks, align the hole and make it straight, then the trolley will go smoothly.
- 2. After the adjustment, located screw should be tightened.

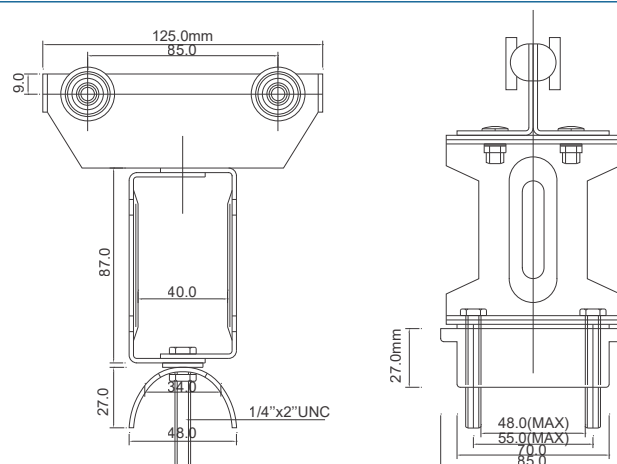


KET155
C30
Roving Trolley
Assembly for 16
Pin Pendant

■ U Shape Screw Tightened



KET115
C30
Cable Trolley



KET125
C30
Towing Trolley

PARTS REQUIRED

Description	Part #	QTY
End Clamp	KET110	
End Cap	KET145	
Cable Trolley	KET115	
Track Support Bracket	KET105	
Track Splice Joint	KET150	
End Stop / Girder Clip	KET140	
Towing Trolley	KET125	
4 Metre C Track	KET100	
Roving Trolley assembly for 16 pin Pendant	KET155	
4 Core Flatform Cable 2.5mm	CAB425	
8 Core Flatform Cable	CAB462	
12 Core Flatform Cable	CAB470	



Why choose Pacific Hoists?

Our company is built on 3 important values; honesty, integrity and a commitment to quality.

This has made Pacific Hoists recognised nationally and internationally for our service and commitment to our customers.

We offer solutions for any application; standard and custom-made.



Contact us today.

SYDNEY

24 Foundry Road
Seven Hills NSW 2147
Australia

PH +61 2 8825 6900
F +61 2 8825 6999
E sales@pacifichoists.com.au

PERTH

Unit 1, 3 Colin Jamieson Drive
Welshpool WA 6106
Australia

PH +61 8 6253 1000
F +61 8 9458 9840
E sales@pacifichoists.com.au

AUCKLAND

11 Druces Road
Wiri Auckland
New Zealand

PH +64 9 263 5566
F +64 9 263 5567
E sales@pacifichoists.co.nz

pacifichoists.com.au