

Pacific My-T-Lift

The Pacific My-T-Lift is the perfect solution for the safe handling of heavy loads, up to 300kg. This 360° telescopic job crane is designed for single handed operation and can be mounted on trucks, trailers, pontoons and similar structures. It has the option of a manual winch which includes a 8 meters rope (6 meters height of lift) or a 12 or 24 volt electric winch, featuring a rope length of 12 meters.

Due to its design, the My-T-Lift has the capability to allow accurate placement of heavy loads, even in confined space.

This product is made from high quality durable steel and has the option to fold down when not in use.

Features:

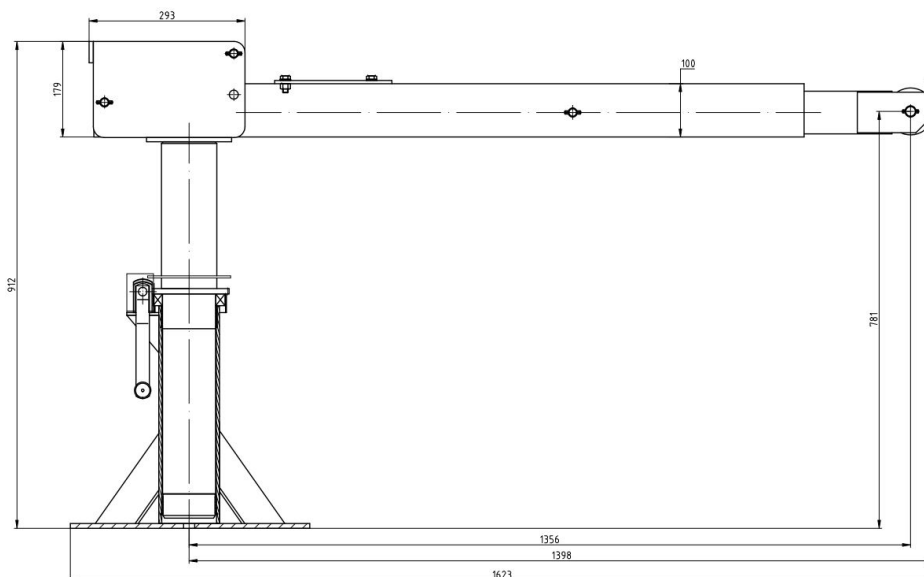
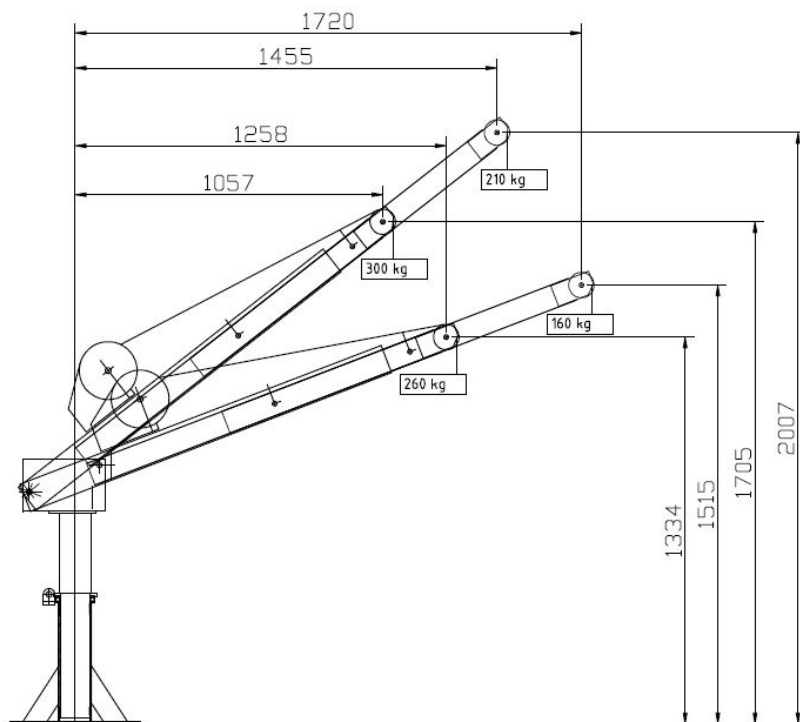
- 360° manual radial slew; with slipper bearing thrust race for ease of slewing motion.
- Rugged structure with low maintenance powder coated finish.
- Folds down when not in use.
- Allows accurate placement of heavy loads, even in confined space.
- Available with manual winch, 12 or 24 volt electric winch.
- Optional drum lifting sling available.



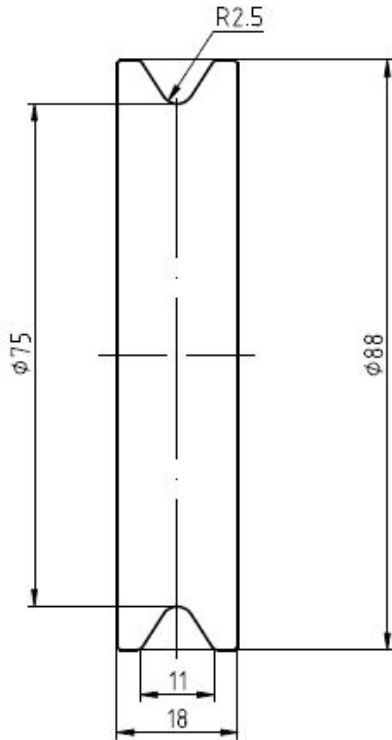
Specifications

Model	MYT300B	MYT300M	MYT300E	MYT300F
Stock Code	MYT300	MYT318	MYT312	MYT324
Rated Capacity (kg)	300	300	300	300
Rope Length (m)	Nil	6	12	12
Winch Type	Nil	Manual Brake	12V DC	24V DC
Net Weight (kg)	68	78	83	83

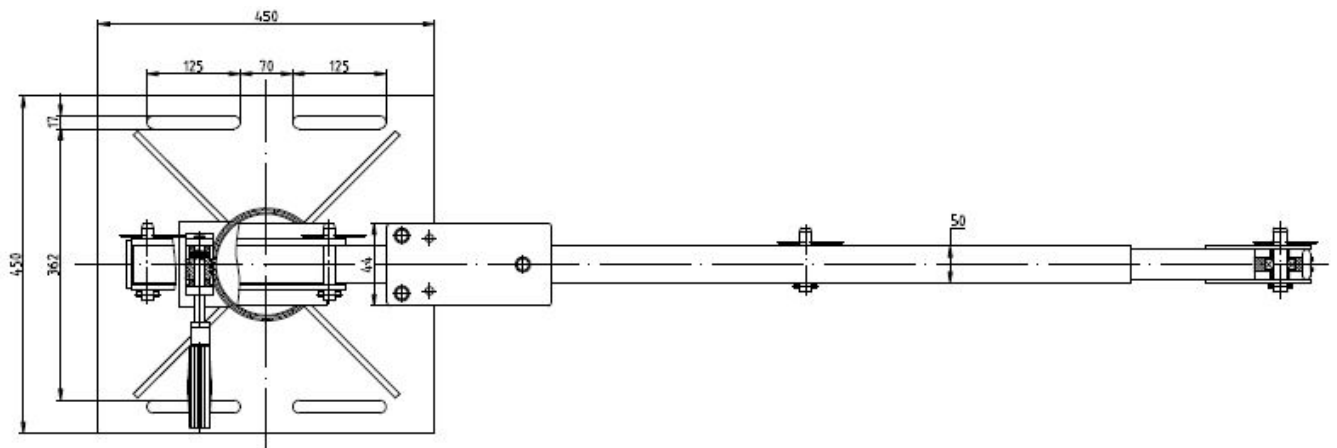
Overall Dimensions (in mm)



Jib Pulley



Base Plate (in mm)



Sydney - Head Office

24 Foundry Road
Seven Hills, NSW 2147
Australia

+61 (0)2 8825 6900

+61 (0)2 8825 6999

Western Australia

8 Monash Gate
Jandakot, WA 6164
Australia

+61 (0)8 6253 1000

+61 (0)8 9458 9840

Auckland NZ

11 Druces Road
Wiri, Auckland 2104
New Zealand

+64 (0)9 263 5566

+64 (0)9 263 5567

