

Pacific Brake Winches

The Pacific Brake Winches are compact, lightweight and a cost-effective solution for a variety of applications. They can be used for both pulling and lifting purposes and comply to the Australian Standards AS1418.2 when correctly fitted with the approved wire rope and fittings. They can be supplied with a powder-coated or in stainless steel, depending on your application.

Features:

- Positive Weston-style brake will hold the load in any position.
- Compact, lightweight and rugged construction.
- Mechanical components enclosed for protection and safety.
- Available with a powder-coated.
- BHW125N available as a noiseless model.
- AS1418.2 Compliance applies when correctly fitted with approved wire rope and fittings.
- BHW123 / BHW183 / BHW263 available in Grade 304 stainless steel.
- Heat-treated gears.
- Strong removable handles.
- High precision construction minimises gear noise.



The information shown is to be used as a guide only. Specifications are subject to change without notice. All materials handling or lifting jobs should be assessed individually. Pacific Hoists products are NOT to be used for lifting or lowering persons.

Specifications

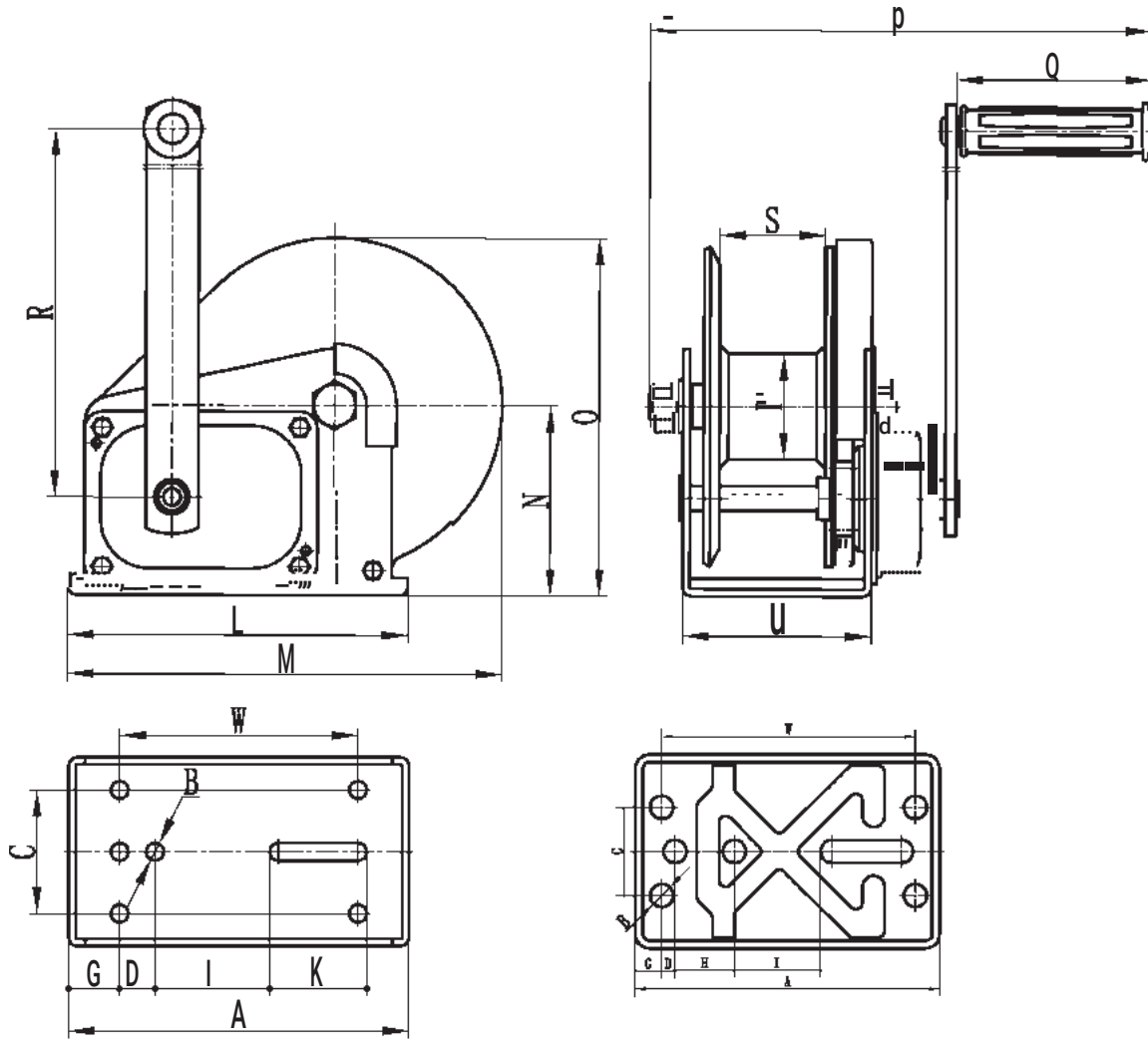
Model	BHW080	BHW120 BHW123* BHW125N**	BHW180 BHW183*	BHW260 BHW263*	SF2200
Pulling Capacity (kg)	370	545	820	1200	1700
Lifting Capacity	180	270	410	600	850
Hand Force Required (kg)	16.3	18.4	19.4	19.4	16
Standard Finish	Powder-Coated	Powder-Coated	Powder-Coated	Powder-Coated	Powder-Coated
Gear Ratio	4.2 : 1	4.2 : 1	5.0 : 1	10 : 1	22.2 : 1
Handle Length (mm)	155	208	319	319	300
Hub Diameter (mm)	Ø40	Ø48	Ø60	Ø75	Ø60
Cable Diameter (mm x m)	Ø4.0 x 30	Ø5.0 x 23	Ø6.0 x 24	Ø8.0 x 16	Ø8.0 x 32
Net. Weight (kg)	3.6	3.7	8.1	10.3	13.5
Stainless Steel Available	No	Yes	Yes	Yes	No
Noiseless Available	No	Yes	No	No	No

*Stainless Steel

**Noiseless

The information shown is to be used as a guide only. Specifications are subject to change without notice. All materials handling or lifting jobs should be assessed individually. Pacific Hoists products are NOT to be used for lifting or lowering persons.

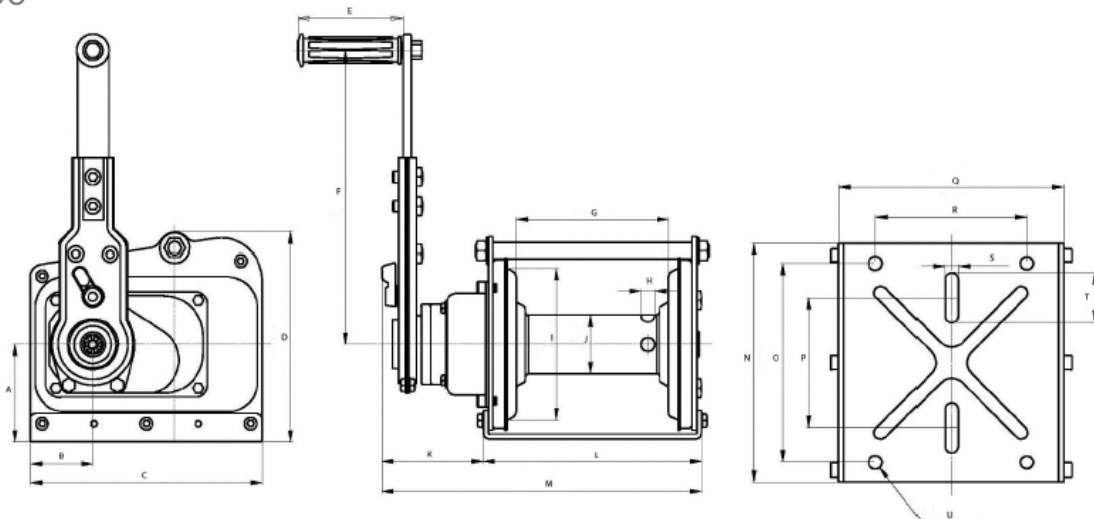
Dimensions



BHW180, BHW183, BHW260,
BHW263

BHW080, BHW120, BHW123,
BHW125N

SF2200



The information shown is to be used as a guide only. Specifications are subject to change without notice. All materials handling or lifting jobs should be assessed individually. Pacific Hoists products are NOT to be used for lifting or lowering persons.

Model	BHW080	BHW120 BHW123* BHW125N**	BHW180 BHW183*	BHW260 BHW263*	SF2200
A	138	138	193	240	100
B	Ø10.5	Ø10.5	Ø10	Ø10	64.3
C	40	40	70	77	238
D	6	6	20	43	214
E	-	-	-	-	108
F	-	-	-	-	300
G	12	12	29	29	156
H	27	27	-	-	Ø16
I	39	39	65	94	Ø155
J	-	-	-	-	Ø60
K	42	42	55	45	118
L	138	138	193	240	224
M	184	184	246	294	342
N	86	86	108	121	238
O	156	156	203	216	198
P	273	273	284	308	130
Q	111	111	111	111	224
R	155	208	319	319	150
S	51	51	60	63	13
T	Ø40	Ø48	Ø60	Ø75	50
U	88	88	107	127	4 – Ø13
W	115	115	135	162	-

*Stainless Steel
**Noiseless

Sydney - Head Office

24 Foundry Road
Seven Hills, NSW 2147
Australia

☎ +61 (0)2 8825 6900

☎ +61 (0)2 8825 6999

Western Australia

Unit 1, 31 Colin Jamieson Drive
Welshpool, WA 6106
Australia

☎ +61 (0)8 6253 1000

☎ +61 (0)8 9458 9840

Auckland NZ

11 Druces Road
Wiri, Auckland 2104
New Zealand

☎ +64 (0)9 263 5566

☎ +64 (0)9 263 5567

