

Hitachi Electric Chain Hoists

Hitachi's reputation for excellence in design, quality, reliability and performance has made this brand a global market leader. With over three decades of proven reliability throughout Australasia and an extensive operating range, Hitachi Electric Chain Hoists are suited to most applications. The Hitachi models vary from 250kg to 15 tonne capacity and are available in three or single phase, two speed or single speed while being tested to the Australian standards.



Features:

- All Hitachi models are tested in accordance with AS1418.2.
- Operation: fully contactorised with high rated contactors and pendant controls; both fitted with mechanical interlocks and 24 Volt control.
- Optional IP65 pendant including E-Stop available.
- Safety Limits: full current and shunt limit switches operate in both directions of hook travel.
- Overload Limiter: this electro-mechanical device is exclusive to the Hitachi range and boasts a far more superior overload protection device than the slipping clutch method. Available on all Hitachi models.
- Braking: all models are fitted with an Electro-magnetic, self-adjusting disc type brake to the gearbox and the "F" models have an additional auxiliary centrifugal brake fitted to the motor.
- Chain Bucket: noiseless design with flexible mounting.
- High quality Grade 80 zinc or nickel plated load chain supplied as standard.
- IP54 protection rating on all electric hoists and trolleys.
- Motor thermal protection on all Hitachi models.
- Optional radio remote control.
- Ambient temperature requirement of -10 to 40 degrees.
- Class M4 inclusive of 180 starts per hour.
- Completely enclosed design. Entire mechanism including; the motor, dual brake system, gears, rotating parts and electrical system can be operated under severe conditions.
- Reverse phase protection relay on all models excluding; 250kg, 500kg and all single phase models.
- Special low headroom hoist and trolley arrangements available to suit tight headroom applications.
- Electric trolleys are fitted with Guide Rollers as standard to reduce wear and ensure suitability for curved beam applications.

The information shown is to be used as a guide only. Specifications are subject to change without notice. All materials handling or lifting jobs should be assessed individually. Pacific Hoists products are NOT to be used for lifting or lowering persons.

Specifications

Three Phase / Single Speed Hoists - 415Volt, 50Hz

Model	1/4 S	1/2 S	1 S	2 S	1 F	2 F	3 F	5 F
Stock Code	HEH010	HEH050	HEH100	HEH200	HEH110	HEH210	HEH300	HEH500
Rated Capacity (kg)	250	500	1000	2000	1000	2000	3000	5000
Speed (m/min)	10	7.2	4.6	2.3	7.1	6.8	4.1	2.8
Motor (kW)	0.45	0.63	0.8	0.8	1.3	2.4	2.4	2.5
Weight (kg)	28	31	37	49	42	80	99	121
Headroom (mm)	450	450	530	645	535	660	820	1020

Three Phase / Two Speed Hoists - 415Volt, 50Hz

Model	1/4 SN	1/2 SN	1 SN	2 SN	2 FN	3 FN	5 FN
Stock Code	HEH020	HEH060	HEH120	HEH220	HEH230	HEH330	HEH530
Rated Capacity (kg)	250	500	1000	2000	2000	3000	5000
Speed (m/min)	7.2 / 1.8	7.2 / 1.8	4.6 / 1.2	2.3 / 0.6	6.8 / 1.7	4.0 / 1.0	2.8 / 0.7
Motor (kW)	0.32 / 0.08	0.63 / 0.16	0.8 / 0.2	0.8 / 0.2	2.4 / 0.6	2.4 / 0.6	2.4 / 0.6
Weight (kg)	33	36	42	54	96	112	146
Headroom (mm)	450	450	530	645	660	820	1020

Single Phase / Single Speed Hoists - 240Volt, 50Hz

Model	1/4 S1	1/2 S1	1 S1	2 S1
Stock Code	HEH900	HEH907	HEH911	HEH920
Rated Capacity (kg)	250	500	1000	2000
Speed (m/min)	5	3.6	2.3	1.1
Motor (kW)	0.25	0.32	0.4	0.4
Weight (kg)	34	34	39	51
Headroom (mm)	450	450	530	645

The information shown is to be used as a guide only. Specifications are subject to change without notice. All materials handling or lifting jobs should be assessed individually. Pacific Hoists products are NOT to be used for lifting or lowering persons.

Specifications

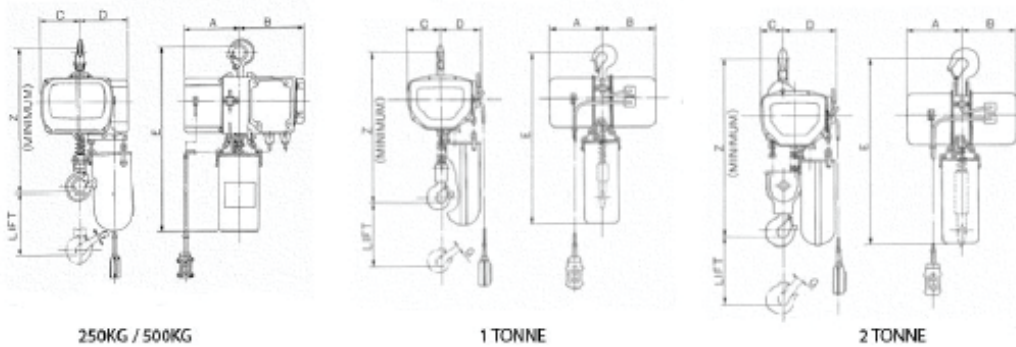
Three Phase / Electric Trolleys - 415Volt, 50Hz

Model	1ET	2ET	3ET	5ET
Stock Code	HET100	HET200	HET300	HET500
Rated Capacity (kg)	1000	2000	3000	5000
ET Speed (m/min)	Single Speed		ET 10.5 or 21.0	
ETN Speed (m/min)	Two Speed		ETN 21.0 / 5.3	
Motor (kW)	0.14	0.14	0.3	0.3
Weight (kg)	38	52	60	86
Min. Radius (m)	1.5	1.8	2.0	3.0
Girder Width (mm)	75 - 125	100 - 150	100 - 150	125 - 175

**Larger girder widths are available upon request*

Dimensions (in mm)

Hitachi S Series Hoists

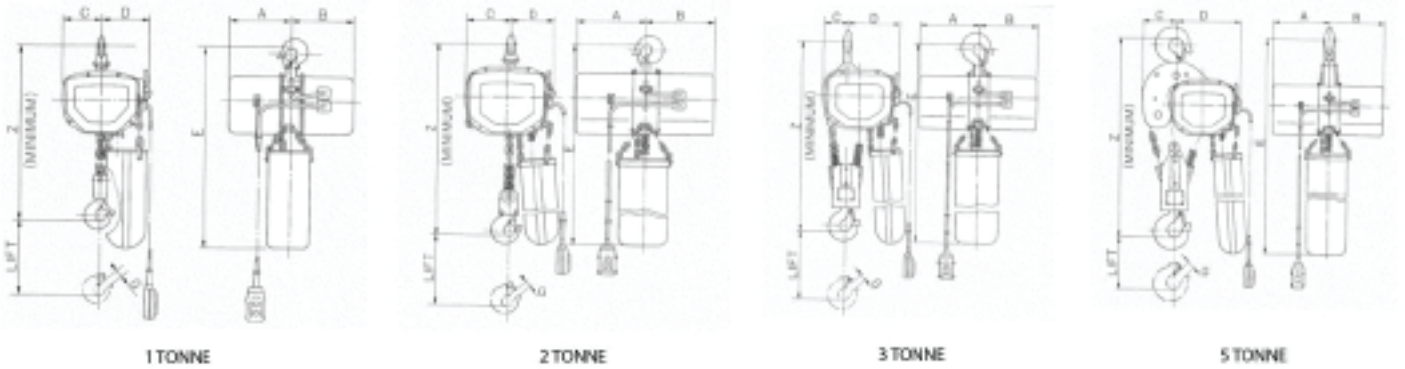


Model	1/4S	1/4SN	1/2S	1/2SN	1 S	1 SN	2 S	2 SN	1/4 S1	1/2 S1	1 S1	2 S1
Z	450	450	450	450	530	530	645	645	450	450	530	645
A	181	183	181	181	216	216	216	216	181	181	246	246
B	184	210	184	184	216	246	216	246	210	210	246	246
C	125	125	125	125	135	135	90	90	125	125	135	90
D	165	185	165	165	170	170	215	215	165	165	170	215
E	620	620	620	620	680	680	705	705	620	620	680	705
G	19	19	19	19	23	23	26	26	19	19	23	26

The information shown is to be used as a guide only. Specifications are subject to change without notice. All materials handling or lifting jobs should be assessed individually. Pacific Hoists products are NOT to be used for lifting or lowering persons.

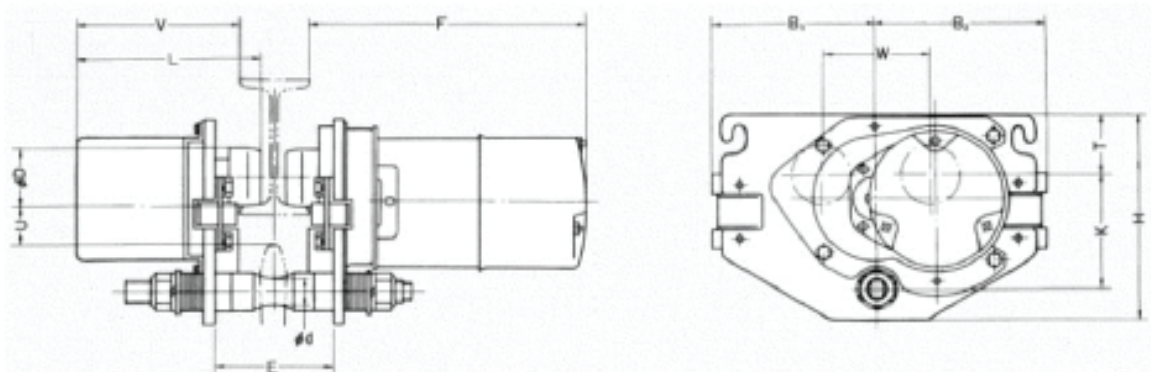
Dimensions (in mm)

Hitachi F Series Hoists



Model	1F	2F	2FN	3F	3FN	5F	5FN
Z	535	660	660	820	820	1020	1020
A	250	280	280	280	280	280	280
B	250	280	330	280	330	280	330
C	135	175	175	120	120	145	145
D	170	170	170	245	245	330	330
E	680	845	845	1090	1090	1295	1295
G	23	26	26	42	42	48	48

Hitachi ET Series Trolleys



The information shown is to be used as a guide only. Specifications are subject to change without notice. All materials handling or lifting jobs should be assessed individually. Pacific Hoists products are NOT to be used for lifting or lowering persons.

Model	1ET	2ET	3ET	5ET
B1	185	210	210	240
B2	190	210	210	240
D	64	75	75	90
d	27	32	37	46
F	303	313	316	323
H	226	245	265	322
K	136	130	140	177
T	65	80	80	90
U	55	40	37.5	54
V	159	172	175	181
L	182	200	203	219
W	120	148	148	173
E	133	169	168	202

Sydney - Head Office

24 Foundry Road
Seven Hills, NSW 2147
Australia

+61 (0)2 8825 6900

+61 (0)2 8825 6999

Western Australia

8 Monash Gate
Jandakot, WA 6164
Australia

+61 (0)8 6253 1000

+61 (0)8 9458 9840

Auckland NZ

11 Druces Road
Wiri, Auckland 2104
New Zealand

+64 (0)9 263 5566

+64 (0)9 263 5567

