

Pacific Series 1 Girder Trolleys

Pacific Series 1 Girder Trolleys feature a strongly constructed, fully adjustable trolley which is designed to fit the flanges of both tapered and parallel beams. They are available as push or geared variety and comply with all relevant Australian Standards.

Features:

- All Pacific Girder Trolleys are manufactured to comply with AS1418-2.
- Choose from either push or hand-geared travel.
- Twin pin configuration provides closer headroom than single pin variety.
- Available to suit larger beam widths on request.
- Fitted with anti-drop plates for improved safety and compliance.
- Can be supplied close coupled to suit most Pacific hoists.



The information shown is to be used as a guide only. Specifications are subject to change without notice. All materials handling or lifting jobs should be assessed individually. Pacific Hoists products are NOT to be used for lifting or lowering persons.

Specifications

Pacific Series 1 Girder Trolleys (PUSH)

Model	PPT105	PPT110	PPT120	PPT130	PPT150	PPT160
Stock Code	PPT105	PPT110	PPT120	PPT130	PPT150	PPT160
Rated Capacity (kg)	500	1000	2000	3000	5000	10000
Beam Width (mm)	62 - 172	76 - 204	90 - 216	126 - 210	126 - 210	125 - 310
Min. curve radius (m)	0.8	1.0	1.5	1.7	1.7	2.7
Net Weight (kg)	6.06	10.88	19.12	34.96	36.30	118.0
Gross Weight (kg)	6.4	11.32	19.88	36.22	36.70	133.0

*Additional beam width available on request.

Pacific Series 1 Girder Trolleys (GEARED)

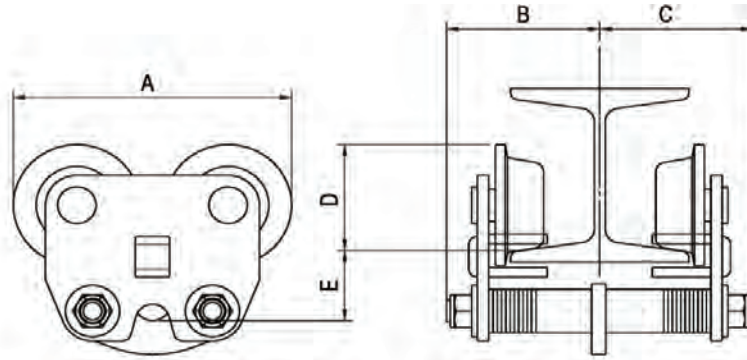
Model	PGT110	PGT120	PGT130	PGT150	PGT160
Stock Code	PGT110	PGT120	PGT130	PGT150	PGT160
Rated Capacity (kg)	1000	2000	3000	5000	10,000
Beam Width (mm)	76 - 204	90 - 216	126 - 210	126 - 210	125 - 310
Min. Curve Radius (m)	1.0	1.5	1.7	1.7	2.7
Net Weight (kg)	15.08	24.44	40.30	42.10	131.0
Gross Weight (kg)	15.75	25.32	41.64	43.50	148.0

*Additional beam width available on request.

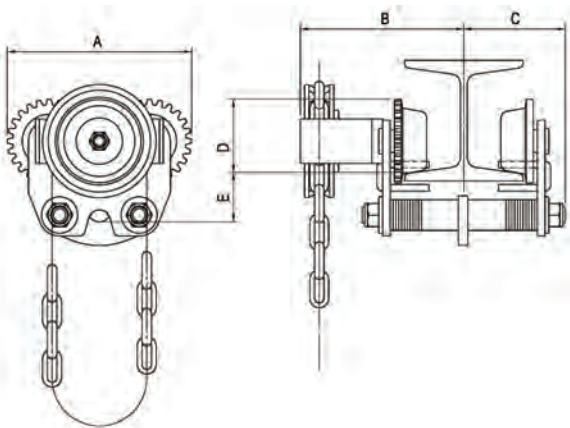
The information shown is to be used as a guide only. Specifications are subject to change without notice. All materials handling or lifting jobs should be assessed individually. Pacific Hoists products are NOT to be used for lifting or lowering persons.

Dimensions (in mm)

Pacific Series 1 Girder Trolleys (PUSH)



Model	PPT105	PPT110	PPT120	PPT130	PPT150	PPT160
A	179	217	281	315	315	399
B	131	151	162	176	179	253.5
C	132	153	164	176	179	253.5
D	68	76	106.5	123	123	167
E	51.5	69	83	125.5	125.5	172



Model	PGT110	PGT120	PGT130	PGT150	PGT160
A	238	303	332	332	399
B	206	212.5	210.5	210.5	335.5
C	153	164	176	179	253.5
D	87	117.5	131	131	167
E	69	83	125.5	125.5	172

Sydney - Head Office

24 Foundry Road
Seven Hills, NSW 2147
Australia

+61 (0)2 8825 6900

+61 (0)2 8825 6999

Western Australia

8 Monash Gate
Jandakot, WA 6164
Australia

+61 (0)8 6253 1000

+61 (0)8 9458 9840

Auckland NZ

11 Druces Road
Wiri, Auckland 2104
New Zealand

+64 (0)9 263 5566

+64 (0)9 263 5567

