

## Pacific Pipe Trolley

The Pacific Pipe Trolley is compact and lightweight, a general purpose unit and designed to suit 60mm O/S diameter pipe.



## Features:

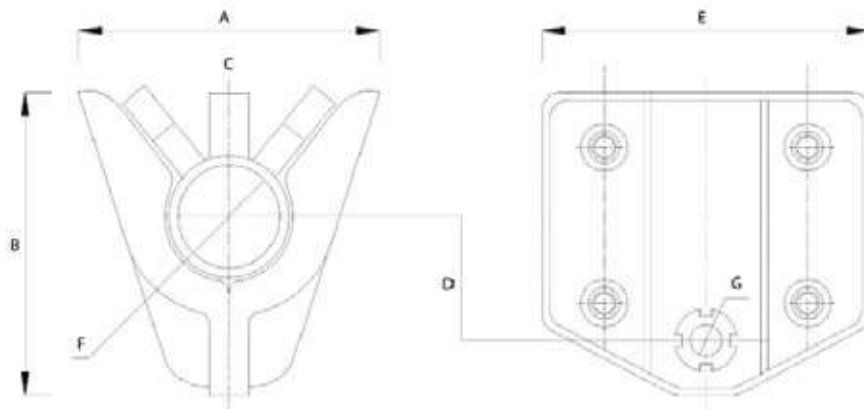
- The Pacific Pipe Trolley is manufactured to comply with AS1418-2.
- Designed to suit 60mm outside diameter pipe.
- Compact and light weight with no powder coated finish.

The information shown is to be used as a guide only. Specifications are subject to change without notice. All materials handling or lifting jobs should be assessed individually. Pacific Hoists products are NOT to be used for lifting or lowering persons.

## Specifications

|                               |               |
|-------------------------------|---------------|
| <b>Model</b>                  | <b>PPT203</b> |
| <b>Stock Code</b>             | PPT203        |
| <b>Rated Capacity (kg)</b>    | 300           |
| <b>Pipe Diameter (mm)</b>     | 60            |
| <b>Min. Curve Radius (mm)</b> | 800           |
| <b>Net Weight (kg)</b>        | 2.5           |

## Dimensions (in mm)



| Model | PPT203 |
|-------|--------|
| A     | 147.5  |
| B     | 160    |
| C     | 22     |
| D     | 68     |
| E     | 160    |
| F     | 60     |
| G     | 17     |

### Sydney - Head Office

24 Foundry Road  
Seven Hills, NSW 2147  
Australia

+61 (0)2 8825 6900

+61 (0)2 8825 6999

### Western Australia

8 Monash Gate  
Jandakot, WA 6164  
Australia

+61 (0)8 6253 1000

+61 (0)8 9458 9840

### Auckland NZ

11 Druces Road  
Wiri, Auckland 2104  
New Zealand

+64 (0)9 263 5566

+64 (0)9 263 5567

