

Pacific Lever Blocks with Optional Overload Protection

The extensive range of Pacific Lever Blocks feature superior quality at an affordable price. They are suitable for applications in the mining, construction, transport and automotive industry. A patented Overload Limiting device is available to improve safety (except for 250kg capacity).



Features:

- All Pacific models are manufactured to comply with AS1418.2.
- “T” type hooks for improved load holding integrity (except for the 250kg capacity).
- New design double pawl safety springs to eliminate sticking
- New style cast hand wheel for added strength and durability
- Encapsulated needle bearings and side plate bearings for smoother operation.
- Brake lockout bearing for security of braking mechanism.
- All Pacific lever blocks can be supplied with overload protection (except 250kg).
- Key internal components are CNC machined before being heat-treated and toughened.
- Fitted with high quality European zinc plated Grade 80 load chain.
- No aluminum content which ensures suitability for mining applications.
- Overall better design and improved finish to prolong life expectancy.
- Now available with a complimentary display stand when purchasing a product stock package. For more information, please contact your Pacific Hoists representative or refer to page 3.

The information shown is to be used as a guide only. Specifications are subject to change without notice. All materials handling or lifting jobs should be assessed individually. Pacific Hoists products are NOT to be used for lifting or lowering persons.

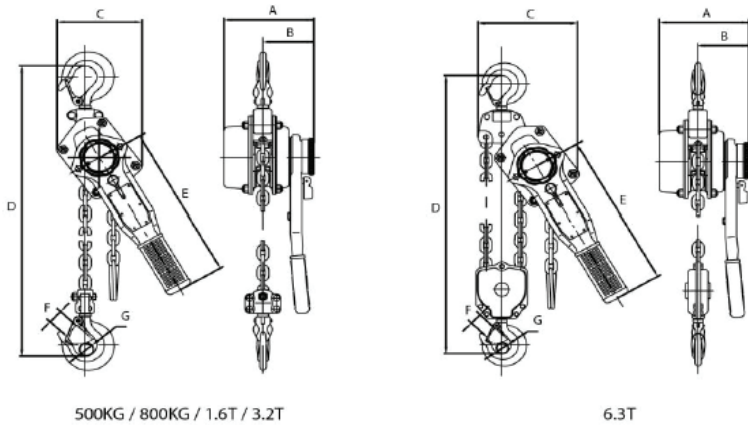
Specifications

Capacity	500 KG	800 KG	1.6 TONNE	3.2 TONNE	6.3 TONNE
Stock Code with O/L	PLB305L	PLB308L	PLB316L	PLB332L	PLB363L
Lift Height (m)	1.5	1.5	1.5	1.5	1.5
Test Load (kg)	750	1200	2400	4800	9450
Effort to Lift Full Load (N)	248	285	315	360	370
No. of Falls	1	1	1	1	2
Load Chain (mm x mm)	Ø5 x 15	Ø5.6 x 17	Ø7.1 x 21	Ø10 x 28	Ø10 x 28
Length of Lever Handle (D) (mm)	253	273	378	418	418
Net Weight for 1.5m lift (kg)	4.42	5.71	9.27	16.50	21.29

*Pacific chain blocks with customised lift heights are available

The information shown is to be used as a guide only. Specifications are subject to change without notice. All materials handling or lifting jobs should be assessed individually. Pacific Hoists products are NOT to be used for lifting or lowering persons.

Dimensions (in mm)



CAPACITY	500 KG	800 KG	1.6 TONNE	3.2 TONNE	6.3 TONNE
A	143	147	173	200	200
B	85	87	99	112	112
C	118	132	145	198	230
D	310	340	400	520	640
E	253	273	378	418	418
F	22	26	29	37	43
G	Ø20	Ø25	Ø30	Ø36	Ø43

The information shown is to be used as a guide only. Specifications are subject to change without notice. All materials handling or lifting jobs should be assessed individually. Pacific Hoists products are NOT to be used for lifting or lowering persons.

Pacific Product Display Stand

With the purchase of one of our product stock packages, you are entitled to a complimentary Pacific Product Display Tripod Stand; made from quality steel. It features lockable castor wheels for ease of movement and safety while on display. The Pacific Hoists signage includes a QR code for quick access to product features, specifications and line drawings. The stand allows for the display of chain blocks, lever blocks, trolleys and clamps.



Features:

- Tripod stand made from quality steel.
- Inclusive of lockable castor wheel for ease of movement and safety while on display.
- This display stand is collapsible by unbolting the screws.
- Pacific Hoists signage which includes a QR code for quick access to product features, specifications and line drawings.
- For the display of a variety of chain and lever blocks, trolleys and clamps.
- Contact your Pacific Hoists representative to discuss your stock requirements. The package must consist of Pacific GEN III chain blocks or lever blocks, Pacific trolleys and clamps. An example of such package can be

1x PCB303

1x PCB313

2x PCB313L

2x PCB316L

1x PLB302

1x PLB308L

1x PLB316L

2x PGC310

2x PPT105

* The display stand is offered as part of this package for the sole purpose of display of products offered by Pacific Hoists.

Specifications & Dimensions

Product Code	STAND
Height (m)	220
Width (m)	140
Depth (m)	140
Weight; excl. products (kg)	25

Sydney - Head Office

24 Foundry Road
Seven Hills, NSW 2147
Australia

+61 (0)2 8825 6900

+61 (0)2 8825 6999

Western Australia

Unit 1, 31 Colin Jamieson Drive
Welshpool, WA 6106
Australia

+61 (0)8 6253 1000

+61 (0)8 9458 9840

Auckland NZ

11 Druces Road
Wiri, Auckland 2104
New Zealand

+64 (0)9 263 5566

+64 (0)9 263 5567

