

Challenger Brake Winches

The Challenger Brake Winches are manufactured of high quality material and comply to the Australian Standard AS1418.2 when correctly fitted with the approved wire rope and fittings.

They can be used for both lifting and pulling purposes and are a compact, lightweight and a cost-effective solution for a variety of applications.

Featuring a high quality powder coated finish, these winches represent the best value for money in the market.

Features:

- All Challenger models are manufactured to comply with AS1418.2 when correctly fitted with approved wire rope and fittings
- Positive Weston-style brake will hold the load in any position
- Compact, lightweight and rugged construction
- Mechanical components enclosed for protection and safety through one-piece designed frame
- Baked enamel and plated finish
- Heat-treated gears
- Strong removable handles
- High precision construction minimises gear noise



The information shown is to be used as a guide only. Specifications are subject to change without notice. All materials handling or lifting jobs should be assessed individually. Pacific Hoists products are NOT to be used for lifting or lowering persons.

Specifications

Model	CBW080	CBW120	CBW180	CBW260
Pulling Capacity (kg)	370	545	820	1200
Lifting Capacity (kg)	180	270	410	600
Hand Force Required (kg)	14.5	15	22	19
Finish	Powder Coated	Powder Coated	Powder Coated	Powder Coated
Gear Ratio	4.1:1	4.1:1	5.0:1	10:1
Handle Length (mm)	155	208	319	319
Hub Diameter (mm)	Ø40	Ø48	Ø60	Ø75
Cable Diameter (mmxmm)	Ø4.0 x 30	Ø5.0 x 23	Ø6.0 x 22	Ø8.0 x 16
Net. Weight (kg)	3.0	3.3	8.0	10.3

Sydney - Head Office

24 Foundry Road
Seven Hills, NSW 2147
Australia

+61 (0)2 8825 6900

+61 (0)2 8825 6999

Western Australia

8 Monash Gate
Jandakot, WA 6164
Australia

+61 (0)8 6253 1000

+61 (0)8 9458 9840

Auckland NZ

11 Druces Road
Wiri, Auckland 2104
New Zealand

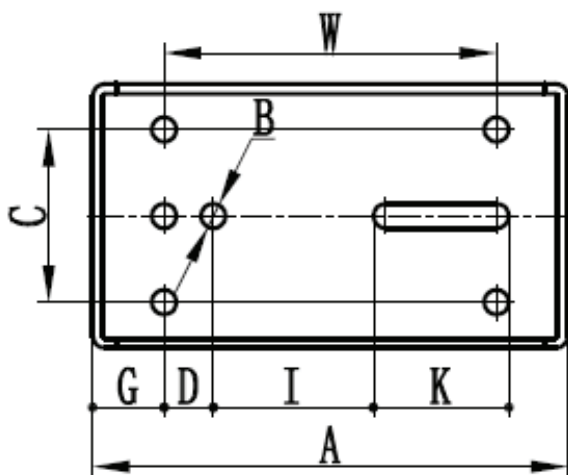
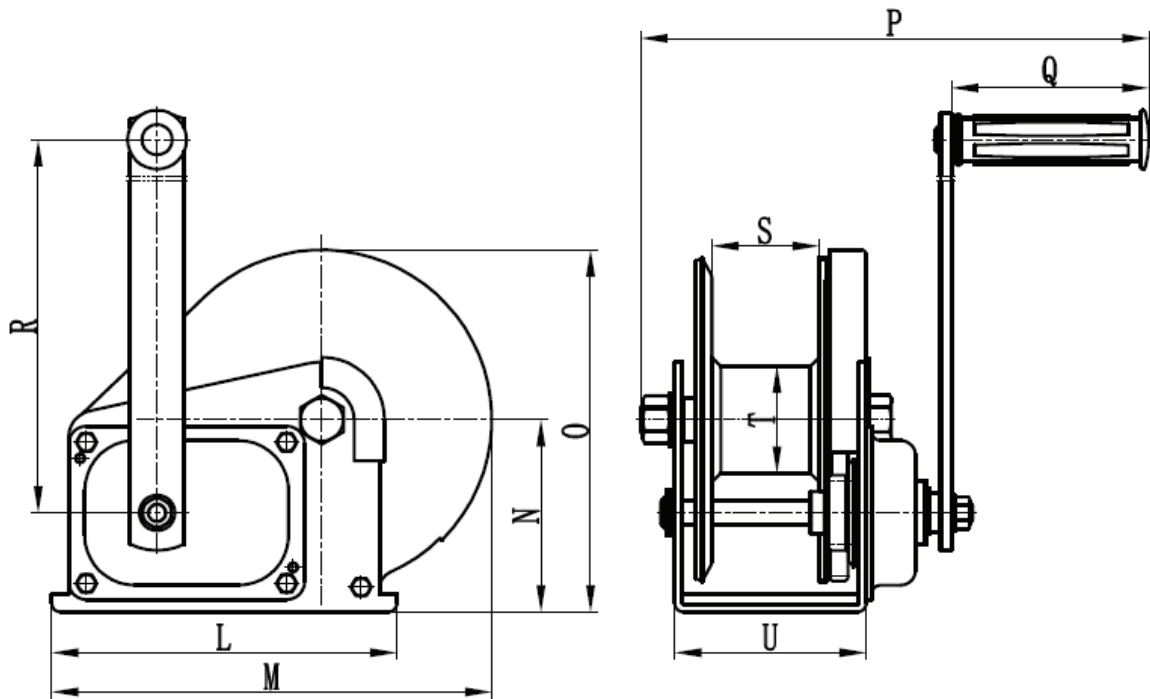
+64 (0)9 263 5566

+64 (0)9 263 5567

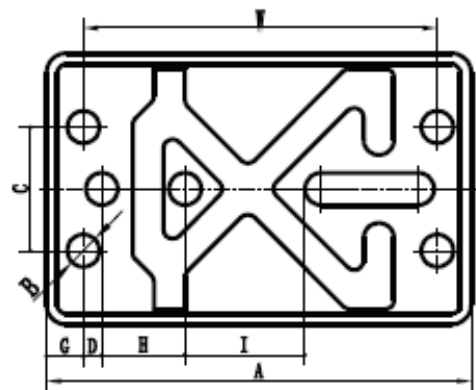


The information shown is to be used as a guide only. Specifications are subject to change without notice. All materials handling or lifting jobs should be assessed individually. Pacific Hoists products are NOT to be used for lifting or lowering persons.

Dimensions



CBW180, CBW260 Base Plate



CBW080, CBW120 Base Plate

The information shown is to be used as a guide only. Specifications are subject to change without notice. All materials handling or lifting jobs should be assessed individually. Pacific Hoists products are NOT to be used for lifting or lowering persons.

Model	CBW080	CBW120	CBW180	CBW260
A	138	138	193	240
B	Ø10.5	Ø10.5	Ø10	Ø10
C	40	40	70	77
D	6	6	20	43
E	-	-	-	-
F	-	-	-	-
G	12	12	29	29
H	27	27	-	-
I	39	39	65	94
J	-	-	-	-
K	42	42	55	45
L	138	138	193	240
M	184	184	246	294
N	86	86	108	121
O	156	156	203	216
P	273	273	284	308
Q	111	111	111	111
R	155	208	319	319
S	51	51	60	63
T	Ø40	Ø48	Ø60	Ø75
U	88	88	107	127
W	115	115	135	162

Sydney - Head Office

24 Foundry Road
Seven Hills, NSW 2147
Australia

☎ +61 (0)2 8825 6900

☎ +61 (0)2 8825 6999

Western Australia

Unit 1, 31 Colin Jamieson Drive
Welshpool, WA 6106
Australia

☎ +61 (0)8 6253 1000

☎ +61 (0)8 9458 9840

Auckland NZ

11 Druces Road
Wiri, Auckland 2104
New Zealand

☎ +64 (0)9 263 5566

☎ +64 (0)9 263 5567

