



COMPLETE SERIES CPV
**CAPACITIES
125-5000 KG**
WITH
**SUSPENSION HOOK
AS STANDARD,
SUSPENSION LUG AS AN OPTION,
PUSH, GEARED OR
ELECTRIC TROLLEY**

Yale **CPV**

Electric chain hoist
with suspension hook or with
integrated trolley

Capacity 125 - 5000 kg

The electric chain hoist CPV combines modern design and technical innovation. A robust construction makes the series a versatile tool for professional applications. The integrated limit switch for the highest and lowest hook position considerably extends the working life span of the slip clutch, motor and gearbox.

Features

- Increased operating safety through 42V control voltage (low voltage control) and the main contactor.
- The integrated limit switch for the highest and lowest hook position considerably extends the service life of the slip clutch, motor and gearbox.
- Overload protection (slip clutch) in all CPV hoists is outside force flow to meet higher safety requirements.
- Electromagnetic spring pressure brake holds the load safely even in the event of power failure.
- Different suspension types available such as top hook, lug or an integrated trolley. A retro-fit to another type of suspension is possible.
- Any chain length (lifting height) as per customer order.
- Oil bath gearbox (or semifluid grease with CPV/F 2-8 and 5-4 as well as CPV 2-4 and 5-2) with helical gearing for particularly smooth service and enhanced lifetime.
- All-steel chain guide.
- The chain guide of the smallest hoist CPV/F 2-8 and 5-4 as well as CPV 2-4 and 5-2 is a thermoplastic (POM) chain guide that is integral with the housing.
- CPV series are protected up to IP 55.
- 2 year warranty (excluding wear parts) and a lifetime lubricated gearbox.

INFO

Festooned cable systems please see pages 146-147.

Yale hoists and trolleys are not designed for passenger elevation applications and must not be used for this purpose.

Options

- Other operating and control voltages.
- Flexible chain containers
- Power supply cables, CEE plugs with phase changing switch.
- Radio remote controls, also acc. to EN 13849-1 PL “d” and “e”.
- Pluggable control pendants.
- Wall mounted controls.
- Rotary limit switch as a back-up to standard limit switches.
- Frequency controllers, stepless and ramp controls.
- Suspensions 90° turned.
- Thermal sensors.



Optional:
Radio remote control



Optional:
with suspension lug

Yale CPV

Further standards

CPV

“Quick Delivery” programme

Capacity 250 - 1000 kg

Features

- Top hook suspension
- Lifting height 6 m
- With chain container

SPECIAL MODEL CPV
“QUICK DELIVERY”
THE HOIST CAN BE SHIPPED
EX CMCO WUPPERTAL
WITHIN 24 HOURS

Technical data CPVF - 24 h “Quick Delivery” programme

Model	Art.-No.	Capacity kg	Number of chain falls	Lifting speed in m/min	
				main lift	fine lift
CPVF 2-8	192052434	250	1	8	2
CPVF 5-8	192052435	500	1	8	2
CPVF 10-8	192052436	1000	1	8	2

CPV... DC

with direct control

Capacity 125 - 500 kg

Features

- Suspension hook as standard
- With overload protection, without limit switches
- With chain container

Technical data CPV... DC - 400V, 3 phase, 50Hz

Model	Art.-No.	Capacity kg	Number of chain falls	Lifting speed m/min
CPV 1-8 DC	192059040	125	1	8
CPV 2-8 DC	192059042	250	1	8
CPV 5-4 DC	192059043	500	2	4

Hoisting Equipment Electric chain hoists

Technical data CPV/CPVF - 400V, 3 phase, 50 Hz

Capacity kg	Model	Number of chain falls	Chain dimensions d x p mm	Classification FEM/ISO	Lifting speed		Hoist motor kW	Motor rating ED %	Weight at standard lift (3m) ¹		
					main lift m/min	fine lift m/min			suspension lug kg	push trolley ² kg	electric trolley ³ kg
125	CPV 2-8	1	4 x 12.2	3m/M6	8	–	0.37	75	17	26	31
125	CPVF 2-8	1	4 x 12.2	3m/M6	8	2	0.37/0.09	50/25	18	27	32
250	CPV 2-8	1	4 x 12.2	1Am/M4	8	–	0.37	50	17	26	31
250	CPVF 2-8	1	4 x 12.2	1Am/M4	8	2	0.37/0.09	33/17	18	27	32
250	CPVF 2-18	1	5x15.1	1Am/M4	18	4.5	0.75/0.18	33/17	27	42	50
320	CPV 5-8	1	5 x 15.1	3m/M6	8	–	0.75	67	26	41	49
320	CPVF 5-8	1	5 x 15.1	3m/M6	8	2	0.75/0.18	45/22	27	42	50
500	CPV 5-4	2	4 x 12.2	1Am/M4	4	–	0.37	50	20	29	34
500	CPVF 5-4	2	4 x 12.2	1Am/M4	4	1	0.37/0.09	33/17	21	30	35
500	CPV 5-8	1	5 x 15.1	1Am/M4	8	–	0.75	50	26	41	49
500	CPVF 5-8	1	5 x 15.1	1Am/M4	8	2	0.75/0.18	33/17	27	42	50
500	CPVF 5-18	1	7.1 x 20.5	1Am/M4	18	4.5	1.5/0.37	33/17	59	78	85
630	CPV 10-8	1	7.1 x 20.5	3m/M6	8	–	1.5	67	58	77	84
630	CPVF 10-8	1	7.1 x 20.5	3m/M6	8	2	1.5/0.37	45/22	59	78	85
1000	CPV 10-4	2	5 x 15.1	1Am/M4	4	–	0.75	50	28	43	51
1000	CPVF 10-4	2	5 x 15.1	1Am/M4	4	1	0.75/0.18	33/17	29	44	52
1000	CPV 10-8	1	7.1 x 20.5	1Am/M4	8	–	1.5	50	58	77	84
1000	CPVF 10-8	1	7.1 x 20.5	1Am/M4	8	2	1.5/0.37	33/17	59	78	85
1500	CPV 20-4	2	7.1 x 20.5	2m/M5	4	–	1.5	62	63	82	89
1500	CPVF 20-4	2	7.1 x 20.5	2m/M5	4	1	1.5/0.37	41/21	64	83	90
2000	CPV 20-4	2	7.1 x 20.5	1Am/M4	4	–	1.5	50	63	82	89
2000	CPVF 20-4	2	7.1 x 20.5	1Am/M4	4	1	1.5/0.37	33/17	64	83	90
2000	CPVF 25-8	1	11.3 x 31	2m/M5	8	2	3.6/0.9	39/20	85	147	161
2500	CPVF 25-8	1	11.3 x 31	1Am/M4	8	2	3.6/0.9	33/17	85	147	161
3200	CPVF 50-4	2	11.3 x 31	3m/M6	4	1	3.6/0.9	44/22	98	160	174
5000	CPVF 50-4	2	11.3 x 31	1Am/M4	4	1	3.6/0.9	33/17	98	160	174

CPV - 230V, 1 PH, 50 HZ

125	CPV 2-4	1	4 x 12.2	3m/M6	4	–	0.37	35
250	CPV 2-4	1	4 x 12.2	1Bm/M3	4	–	0.37	25
500	CPV 5-2	2	4 x 12.2	1Bm/M3	2	–	0.37	25
500	CPV 5-8	1	5 x 15.1	1Bm/M3	8	–	1.0	25
1000	CPV 10-4	2	5 x 15.1	1Bm/M3	4	–	1.0	25
1000	CPV 10-4/1	1	7.1 x 20.5	1Bm/M3	4	–	0.75	25
2000	CPV 20-2	2	7.1 x 20.5	1Bm/M3	2	–	0.75	25

¹Other lifting heights on request. ²For trolleys type A and B: Additional weight for geared trolley (VTG): 2.5 kg

³For electric trolley with 2 speeds (VTEF) +2.0 kg



Depicted chain container optionally available.

Trolleys

Suitable for	Capacity of the trolley kg	Size	All trolleys			Electric trolley	
			Beam flange width b mm	Beam flange thickness t max. mm	Curve radius min. m	travel speed m/min at 50 Hz	motor kW at 50 Hz
CPV/CPVF 2-8/5-4, CPV2-4/5-2	500	A	58 - 180	19	0.9	11 or 18	0.09
CPV/CPVF 2-8/5-4, CPV2-4/5-2	500	B	180 - 300	19	0.9	11 or 18	0.09
CPV/CPVF 5-8/10-4, CPVF 2-18	1000	A	58 - 180	19	0.9	18 or 18/4.5 ¹	0.18 or 0.18/0.06
CPV/CPVF 5-8/10-4, CPVF 2-18	1000	B	180 - 300	19	0.9	18 or 18/4.5 ¹	0.18 or 0.18/0.06
CPV/CPVF 10-8/20-4, CPVF 5-18, CPV 10-4/1, 20-2	2000	A	58 - 180	19	1.15	18 or 18/4.5 ¹	0.18 or 0.18/0.06
CPV/CPVF 10-8/20-4, CPVF 5-18, CPV 10-4/1, 20-2	2000	B	180 - 300	19	1.15	18 or 18/4.5 ¹	0.18 or 0.18/0.06
CPVF 25-8/50-4	5000	A	98 - 180	27	2.0	11 or 11/2.8	0.37 or 0.3/0.09
CPVF 25-8/50-4	5000	B	180 - 300	27	1.8	11 or 11/2.8	0.37 or 0.3/0.09

¹Alternatively 11 or 11/2.8m/min

Yale CPV

Options and features for applications

FOR CORROSIVE ENVIRONMENT & FOOD INDUSTRY

- Stainless steel load chains.
- Stainless steel load hooks for single fall hoists.
- Zinc- or copper- bottom blocks for double fall hoists.
- Zinc plated trolleys and/or 2-component topcoat.
- Food industry approved gearbox lubricants and grease (H1).
- Textile rain coats for hoists and trolleys.



FOR SIMULTANEOUS LIFTING

Yale offers solutions for lifting loads with two or more electric chain hoists simultaneously. Depending on the customer's application, the hoist system must meet various and sometimes very demanding requirements.

- Radio or cable controls.
- Movement selection: single or group movement.
- On trolleys or as point hoists.
- Coupled trolleys.

Please contact Columbus McKinnon to find a suitable solution.

FOR STATIONARY LOADS ABOVE PERSONS

Columbus McKinnon offers Yale electric chain hoists designed for holding stationary loads above persons in accordance with the EN 14492-2:2019.

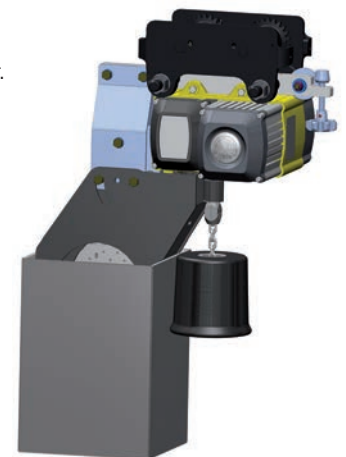
We implement these increased safety requirements in our models CPV ... DB, offering load capacities from 125 kg to 1000 kg.

FOR CRANE BUILDING

- Beam locking device for trolleys.
- Rubber buffers for trolleys.
- Trolley travel end buffer stops.
- 90° suspension on trolley.
- Counter for operating hours.
- Trolley travel end limit switches.
- Signal horn or lamp for crane applications.
- Festoon cable systems or other power supply.
- Suspensions for light crane systems.
- Crane operation pendants.

FOR WIND ENERGY

- Chain lengths up to 200 m.
- Electric chain hoists with high lifting speed.
- Chain containers for longer chains and with special suspensions.
- Increased corrosion-resistance.
- Special suspensions.
- Load hooks with protective cover.

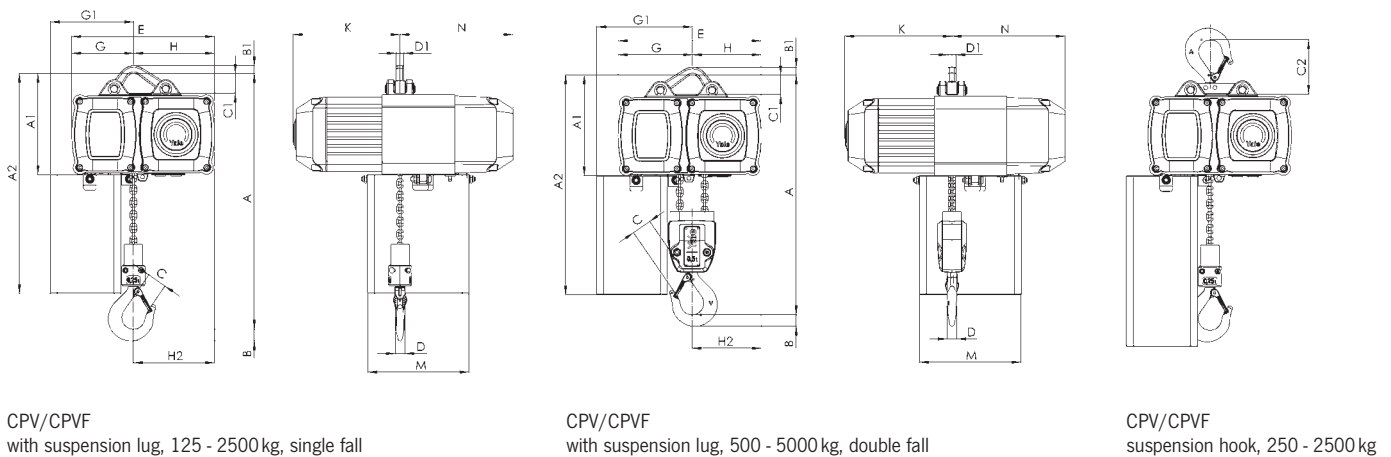


Model	Art.-No.	Capacity kg	Number of chain falls	Lifting speed m/min
CPV 2-8 DB	192054103	125	1	8
CPV 5-4 DB	192054104	250	2	4
CPV 5-8 DB	192054105	250	1	8
CPV 10-4 DB	192054107	500	2	4
CPV 10-8 DB	192054108	500	1	8
CPV 20-4 DB	192054109	1000	2	4

Dimensions CPV/CPVF

Model	CPV/CPVF 2-8 CPV 2-4	CPV/CPVF 5-4 CPV 5-2	CPVF 2-18 CPV/CPVF 5-8	CPV/CPVF 10-4	CPVF 5-18 CPV/CPVF 10-8 CPV 10-4/1	CPV/CPVF 20-4 CPV 20-2	CPVF 25-8	CPVF 50-4
A, mm	327	363	357	430	431	528	514	658
A1, mm	163	163	196	196	234	234	288	288
A2 (dimension with chain container), mm								
-Size I (for lift-height, m)	343 (15 m)	343 (7.5 m)	476 (10 m)	476 (5 m)	564 (12 m)	564 (6 m)	580 (13 m)	580 (6 m)
-Size II (for lift-height, m)	413 (32 m)	413 (16 m)	526 (22 m)	526 (11 m)	644 (18 m)	644 (9 m)	764 (25 m)	764 (12 m)
-Size III (for lift-height, m)	483 (52 m)	483 (26 m)	606 (40 m)	606 (20 m)	734 (25 m)	734 (12 m)	854 (30 m)	854 (15 m)
-Size IV (for lift-height, m)	-	-	798 (64 m)	798 (32 m)	934 (40 m)	934 (20 m)	-	-
B, mm	23	23	22	29	29	37	37	37
B1, mm	12	12	15	15	20	20	33	33
C, mm	30	30	29	35	35	40	46	46
C1, mm	30	30	38	38	45	45	71	71
C2, mm	105	105	105	105	154	154	194	194
D, mm	16	16	15	21	21	26	35	35
D1, mm	12	12	15	15	15	15	25	25
E, mm	205	205	277	277	326	326	409	409
G, mm	106	126	120	144	140	173	179	179
G1 (size I), mm	124	124	142	166	175	208	264	264
G1 (size II), mm	124	124	162	186	175	208	264	264
G1 (size III), mm	124	124	162	186	175	208	265	265
G1 (size IV), mm	124	124	162	186	175	208	-	-
H, mm	99	79	157	133	186	154	230	230
H2, mm	92	72	158	158	186	186	230	180
K, mm	215	215	208	208	285	285	335	335
M (size I), mm	157	157	162	162	209	209	300	300
M (size II), mm	157	157	197	197	209	209	300	300
M (size III), mm	157	157	197	197	209	209	301	301
M (size IV), mm	157	157	197	197	209	209	-	-
N ¹ , mm	159	159	219	219	274	274	299	299

¹for 230V, 1-phase, 50 Hz: approx. +35 mm



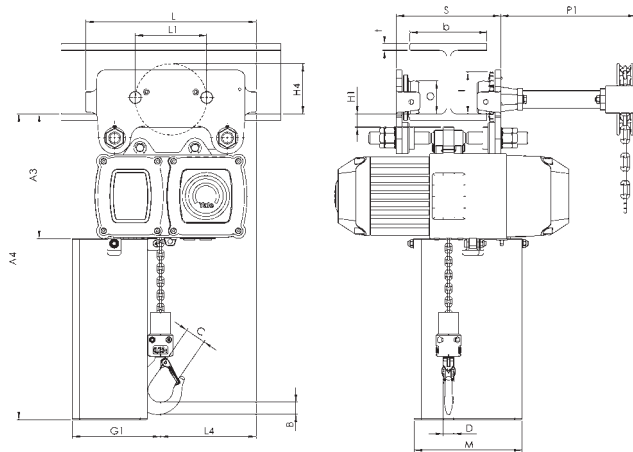
CPV/CPVF
with suspension lug, 125 - 2500 kg, single fall

CPV/CPVF
with suspension lug, 500 - 5000 kg, double fall

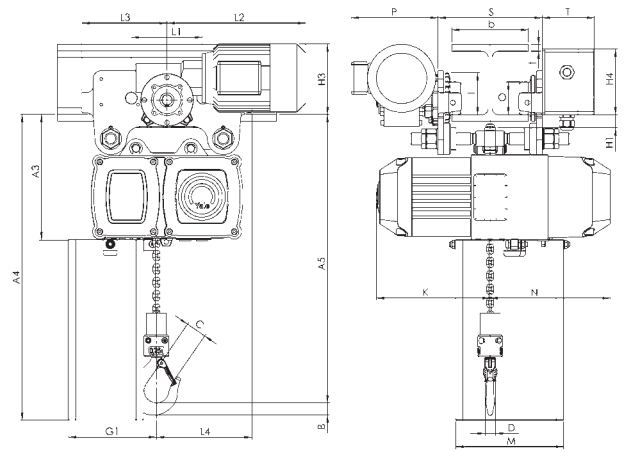
CPV/CPVF
suspension hook, 250 - 2500 kg

Dimensions CPV/CPVF

Model	CPV/CPVF 2-8 CPV 2-4	CPV/CPVF 5-4 CPV 5-2	CPVF 2-18 CPV/CPVF 5-8	CPV/CPVF 10-4	CPVF 5-18 CPV/CPVF 10-8 CPV 10-4/1	CPV/CPVF 20-4 CPV 20-2	CPVF 25-8	CPVF 50-4
A3, mm	199	199	228	228	263	263	339	339
A4 (dimension with chain container), mm								
-Size I (for lift-height, m)	379 (15 m)	379 (7.5 m)	508 (10 m)	508 (5 m)	593 (12 m)	593 (6 m)	631 (13 m)	631 (6 m)
-Size II (for lift-height, m)	449 (32 m)	449 (16 m)	558 (22 m)	558 (11 m)	673 (18 m)	673 (9 m)	815 (25 m)	815 (12 m)
-Size III (for lift-height, m)	519 (52 m)	519 (26 m)	638 (40 m)	638 (20 m)	768 (25 m)	768 (12 m)	905 (30 m)	905 (15 m)
-Size IV (for lift-height, m)	-	-	830 (64 m)	830 (32 m)	968 (40 m)	968 (20 m)	-	-
A5, mm	365	401	389	462	460	558	648	738
b, mm	A = 58 - 180 B = 180 - 300	A = 58 - 180 B = 180 - 300	A = 58 - 180 B = 180 - 300	A = 58 - 180 B = 180 - 300	A = 58 - 180 B = 180 - 300	A = 58 - 180 B = 180 - 300	A = 98 - 180 B = 180 - 300	A = 98 - 180 B = 180 - 300
H1, mm	25	25	24	24	23	23	30	30
H3, mm	113	113	129	129	129	129	178	178
H4 (VTG), mm	95	95	95	95	95	95	149	149
H4 (VTE), mm	142	142	142	142	142	142	121	121
I (Push trolley), mm	72	72	72	72	96	96	142	142
I (Geared trolley), mm	76	76	77	77	98	98	149	149
L (VTP/VTG), mm	310	310	310	310	360	360	525	525
L1, mm	130	130	130	130	150	150	209	209
L2 (VTE), mm	255	255	255	255	255	255	292	292
L2 (VTEF), mm	222	222	263	263	263	263	296	296
L3, mm	135	135	155	155	180	180	263	263
L4, mm	131	111	173	161	203	203	258	208
O, mm	60	60	60	60	80	80	125	125
P, mm	171	171	180	180	180	180	172	172
P1, mm	236	236	246	246	246	246	233	233
S, mm	b + 50	b + 50	b + 50	b + 50	b + 54	b + 54	b + 70	b + 70
T, mm	94	94	94	94	94	94	94	94
tmax., mm	12	12	19	19	19	19	27	27



CPV/CPVF
with integrated manual push or geared trolley



CPV/CPVF
with integrated electric trolley