

## Pacific Wire Rope Pulling Hoists

Pacific Wire Rope Pulling Hoists are lever operated hand winches offering a light weight, strong performance and substantial operating life with the added advantages of lower operator effort and less rope wear. They are designed to be operated by one person to perform tasks such as lifting, pulling and general movement of loads. Small, compact and light weight, Pacific Pull Lift Winches can be easily transported and used for many applications including construction, pipe laying, movement and positioning of machinery and the loading and unloading of heavy and bulky goods for transportation.



## Features:

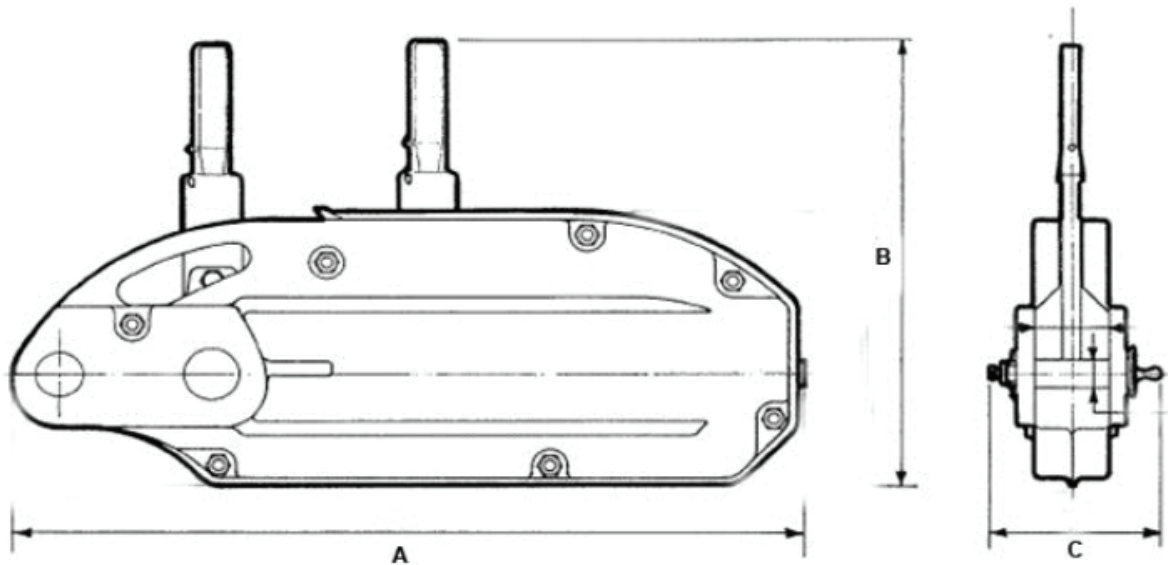
- Compact and lightweight design which makes this product suitable for use in confined or limited space
- Easy to operate and anchor onto a variety of structures; making it suitable for most applications
- Operates in any position; horizontal, vertical and angled.
- All steel construction (including rope) and contains no aluminum which makes this product suitable for many industries including underground mining applications
- Ideal for 4WD and off-road applications

The information shown is to be used as a guide only. Specifications are subject to change without notice. All materials handling or lifting jobs should be assessed individually. Pacific Hoists products are NOT to be used for lifting or lowering persons.

## Specifications

Model	PPL080	PPL160	PPL320
Rated Capacity (kg)	800	1600	3200
Forward Lever Action Angle Range (degrees)	77	81	111
Wire Rope ( $\varnothing$ in mm)	8.3	11.0	16.0
Wire Rope Safety Factor (times)	5	5	5
Static Load Safety Factor (times)	4	4	4
Max. Dynamic Load (kg)	1250	2000	4000
Net Weight Without Rope (kg)	6	11	22
Wire Rope Standard Length (m)	20	20	20

## Dimensions (in mm)



The information shown is to be used as a guide only. Specifications are subject to change without notice. All materials handling or lifting jobs should be assessed individually. Pacific Hoists products are NOT to be used for lifting or lowering persons.

Model	PPL080	PPL160	PPL320
A	428	545	660
B	230	260	320
C	65	97	116

## Sydney - Head Office

24 Foundry Road  
Seven Hills, NSW 2147  
Australia

+61 (0)2 8825 6900

+61 (0)2 8825 6999

## Western Australia

8 Monash Gate  
Jandakot, WA 6164  
Australia

+61 (0)8 6253 1000

+61 (0)8 9458 9840

## Auckland NZ

11 Druces Road  
Wiri, Auckland 2104  
New Zealand

+64 (0)9 263 5566

+64 (0)9 263 5567

