



Pacific Hoists

QUALITY LIFTING SOLUTIONS

Pacific Chain Block Instruction Manual



24 Foundry Rd, Seven Hills NSW 2147 Australia | P +61 2 8825 6900

Pacific Hoists PTY LTD | www.pacifichoists.com.au



IMPORTANT

Please read this operation manual before using this product. This manual contains important information regarding safety, operation, installation & maintenance. ALWAYS operate, inspect and maintain this product in accordance with AS1418.2

INTRODUCTION

Thank you for purchasing your new Pacific Chain Block. This manual lifting device now uses the latest technology to ensure you of a higher quality, robust design with a high level of operator safety which is easier and safer to use, ensuring a longer service life.

It is important that this manual be kept in a safe place where any operator of the Pacific Chain Block can refer to it and understand the operating principles of this device. All users of this Pacific Chain Block should read this manual in full and understand the safe operating principles of the device.

FEATURES

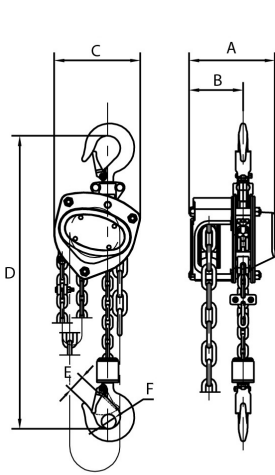
Features of the Pacific Chain Block include the following:

- Designed in accordance with the European Standard EN13157 and AS1418.2
- Improved braking performance to ensure the integrity of the load under all conditions
- Design improvements result in 25% less operator effort to lift the rated load.
- New style load hooks with cast “notched” safety latches to increase service life of the latches and to improve the safety of the lifting operation
- Improved design of load sprockets for safer operation
- Key internal components are now CNC machined for improved overall product reliability
- Pacific Chain Blocks are available fitted with an optional patented Overload Protection Device (O/L), a safety option which prevents the Chain Block being subjected to dynamic loads beyond its rated capacity. All sizes except 250KG are available with this option
- All Pacific Chain Blocks are individually load tested in accordance with AS1418.2

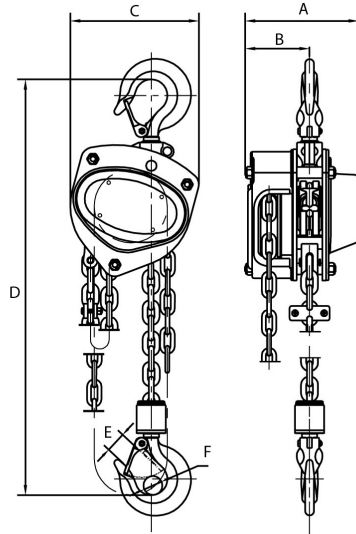
A comprehensive range of spare parts is readily available



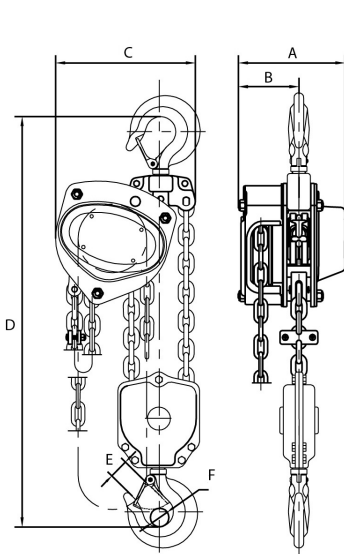
SPECIFICATIONS



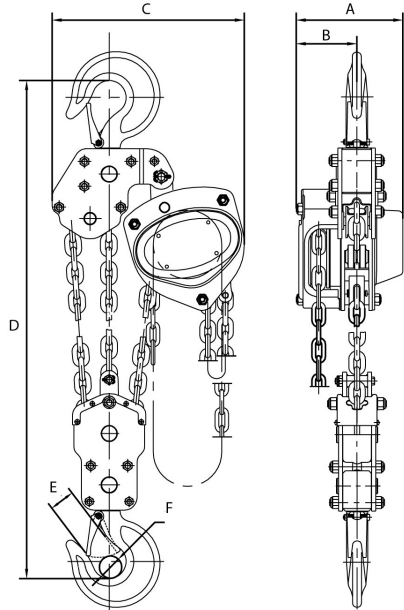
250KG



500KG/ 1T/ 1.5T/ 2T



3T/ 5T



10T



SPECIFICATIONS (CONT.)

Model / Part Number	PCB301	PCB303	PCB313	PCB318	PCB323	PCB333	PCB353	PCB359
Rated Capacity	250kg	500kg	1t	1.5t	2t	3t	5t	10t
Lifting height (m)	3	3	3	3	3	3	3	3
Test load (kg)	375	750	1500	2250	3000	4500	7500	15000
Hand force when fully loaded (N)	190	210	285	325	355	340	400	450
No. of load chain falls	1	1	1	1	1	2	2	4
Hand Chain (mm)	Φ5x23.7							
Load chain Grade 80 (mm)	Φ4X12	Φ5X15	Φ6.3X19	Φ7.1X21	Φ8X24	Φ7.1X21	Φ9X27	Φ9X27
Minimum distance between hooks - Headroom (mm)	H 280	280	330	360	385	510	615	820
Length of hand chain (m)	2	2	2	2	2	2	2	2
Dimension (mm)								
A	106	128	142	158	175	158	183	183
B	68	75	76	80	88	80	90	90
C	108	130	150	170	185	220	255	360
Φ	18	20	25	30	33	36	43	44
E	20	22	26	29	35	37	43	47
Net weight (kg)	6	9	12	14	20	23	39	46
Part Number with O/L	N/A	PCB303L	PCB313L	PCB318L	PCB323L	PCB333L	PCB353L	PCB359L

PRE-START CHECKLIST

Regular inspection of your Pacific Chain Block will have a twofold result by ensuring the unit is suitable for safe operation and will assist with extending the operating life of the unit. The following inspection should be performed both prior to, and after, every use:

- Ensure Chain Block is correctly suspended from a suitable support which keeps the load chain off the ground whilst in storage
- Ensure the selected Chain Block is the correct capacity to perform the task required
- Handle your Chain Block with care and do not throw, drop or drag it along the ground
- Familiarise yourself with how the unit operates and understand its safety features
- Inspect the unit for any missing parts before and after every use
- Ensure the safety latches are working correctly and are aligned properly in the hook
- Check the load hooks for ease of rotation
- Inspect the load chain before and after each use
- Check that the hand chain wheel rotates freely without jamming
- Check for free movement of the load chain by rotating the hand wheel



ON SITE CHECKS

There are a number of checks recommended when using the Pacific Chain Block on the job site:

- Chain Blocks must only be used for vertical lifting
- Only competent persons should operate Pacific Chain Blocks and should have read and understood the operation of the device before its use
- Follow all site safety rules where applicable in relation to the movement of suspended loads
- It is recommended that the Chain Block should not be exposed to elements such as: water, salt spray, steam or chemicals that may compromise the integrity of the device, without consulting your supplier
- Adopt safe slinging practices and follow all instructions carefully
- Ensure the load requirement of the job is within the load capacity rating of the Chain Block
- Check that labelling and/or identification is correct and legible
- Ensure the Pre-Start Check List, as shown previously, has been conducted
- Oil and/or grease must NOT make contact with the braking system of the Chain Block
- Check the environment and locality of the job to ensure personnel safety issues are acceptable for the intended use
- Check that the load connection point, where the Chain Block is to be attached, is capable of safely handling the intended load
- Where trolley suspension is required, ensure the trolley is correctly set for the beam width and that it moves freely along the beam
- Once the Chain Block is suspended, both hooks must be seated correctly ensuring the safety latches are engaged in the closed position
- Ensure the free end of the load chain is clear of any obstructions before and during operation.
- Check that the bottom hook will reach its lowest point without fully extending the load chain
- The load should be free to move and the landing area cleared before starting any lifting operation
- When using a Chain Block with 2 falls (or more) of load chain, ensure that lower hook block has not been inverted or twisted
- Start the lifting process carefully, and once the load is just clear, stop and check the integrity of the Chain Block and load assembly, including any rigging, before continuing the lift
- The operator should always have a clear view of the complete travel path of the load
- Ensure that the load will not be suspended from the Chain Block for any extended period of time without secondary restraint. It's advisable that suspended loads should not be left unattended
- Take care when placing heavy loads down into position that fingers and toes are kept clear



GENERAL PRECAUTIONS

- Always understand the operation of the lifting device before putting it to use
- Always ensure you are working within the required guidelines of Occupational Health and Safety regulations relevant to the task being undertaken
- Never use a Chain Block to lift a load greater than its rated capacity
- Always check for personnel within the work area and DO NOT use Chain Blocks to suspend loads over people
- Never use Chain Blocks for lifting or transporting people under any circumstances
- Never use the load chain of a Chain Block to wrap around the load
- Never operate a Chain Block with kinked or twisted load chain
- Always keep control of the load and do not allow it to swing excessively
- Avoid shock loading the Chain Block as it may seriously damage the operating system. If this occurs, remove the device from use and return it to your supplier for inspection
- Always ensure any slings or rigging gear being used are connected into the hooks ensuring safety latches are engaged in the closed position
- Check for fixed obstructions which may catch the load during the lifting operation
- Chain Blocks are designed for manual use only and must not be converted for power operation in any way
- Never modify your Chain Block from its designed configuration in any way
- Ensure only the original manufacturers' spare parts are used in the repair of any Chain Block
- Replace any load chain with original manufacturers specified chain only
- Galvanising or plating of load chain or load bearing parts is strictly forbidden without the express approval of the supplier
- Never replace a worn load chain without having the Chain Block inspected by a competent person



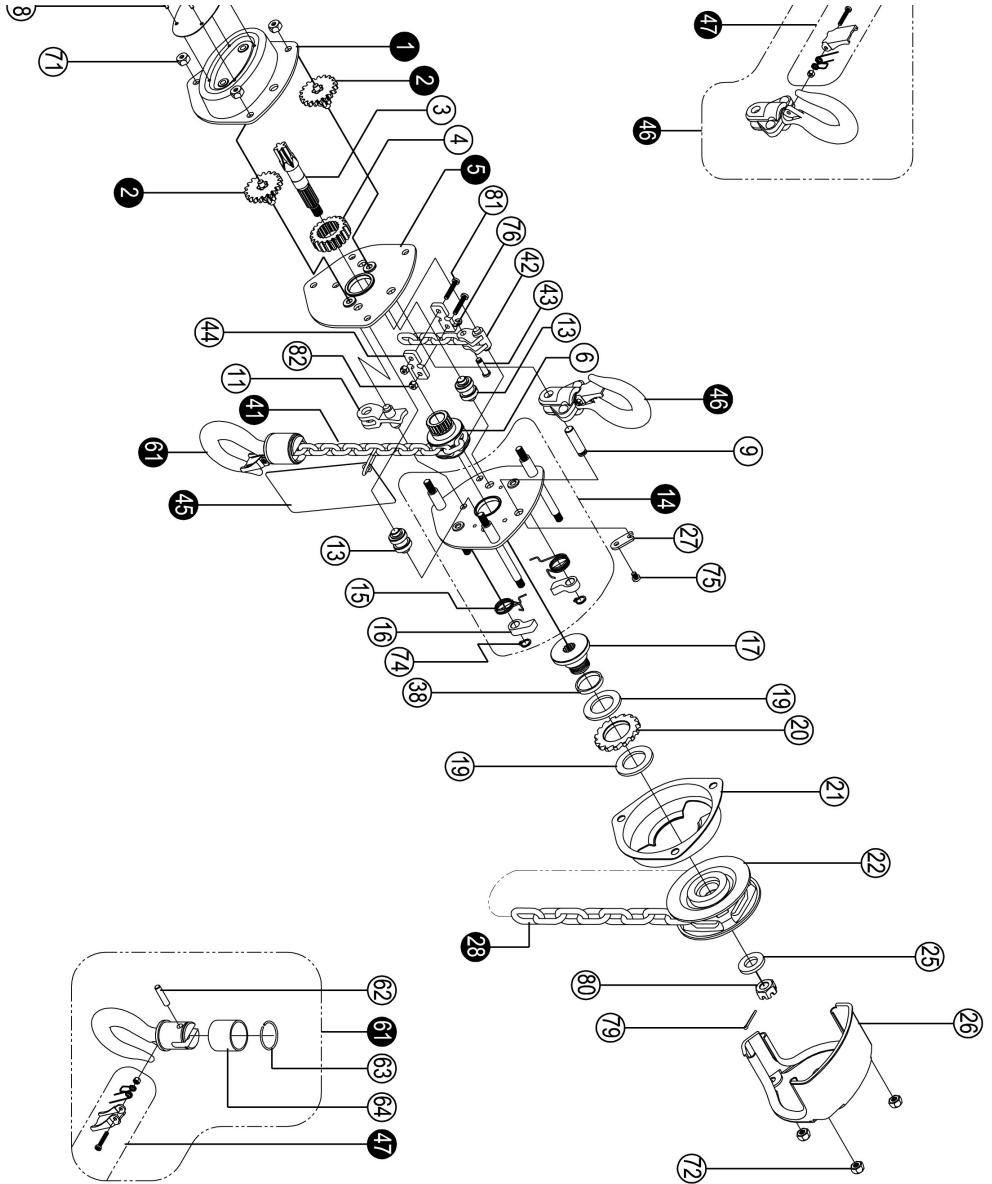
OPERATING INSTRUCTIONS

The Pacific Chain Block has been designed for manual operation only. It utilises a hand chain to drive a series of gears via a unique braking system to raise and lower a load vertically.

- Suspend the Chain Block into the required position to perform the lifting operation, ensuring the top hook is positioned correctly with the safety latch engaged as required
- To raise the bottom hook, pull down on the hand chain to rotate the hand chain wheel in a clockwise direction (looking from the hand wheel cover side)
- Continuously pulling the hand chain in this direction using a “hand over hand” method will raise the bottom hook until you have it in the required position
- To lower the bottom hook, pull down on the hand chain to rotate the hand chain wheel in a anti-clockwise direction, (looking from the hand wheel cover side)
- Continuously pulling the hand chain using the above mentioned “hand over hand” method will either raise or lower the bottom hook into the position required to fix the load
- Fitment of the load to the lower hook needs care to ensure the safety latch is engaged into the closed position, thereby securing the load to the Chain Block
- Start the lifting process carefully, and once the load is just clear, stop and check the integrity of the Chain Block, the load assembly, including any rigging gear, and that the load path is clear before continuing the lift
- Should the optional overload protection device – where fitted – be activated, the required load may exceed the safety parameters of the unit. Lower the load back to the rest position and either: 1/ reduce its weight or 2/ use a more suitable lifting device with a higher capacity
- Resume lifting the load until the required height is achieved
- Before commencing lowering of the load, ensure that the load path is clear and unobstructed
- Letting go of the hand chain in either direction will stop the load movement and the braking system will hold the load in that position
- The desired operation is a smooth hand over hand movement when raising or lowering a load and excessive speed is not recommended in either direction
- Once the load is in the desired position, release the pressure on the load chain further by pulling the hand chain to rotate the hand wheel in the anti-clockwise direction
- After ensuring the load has been placed safely and securely, release the safety latch of the bottom hook and remove it from its suspension point
- After removing the Chain Block from use, a visual inspection should be performed to cover the points listed in the Pre-Start Check List previously described



SPARE PARTS FOR 250KG MODEL



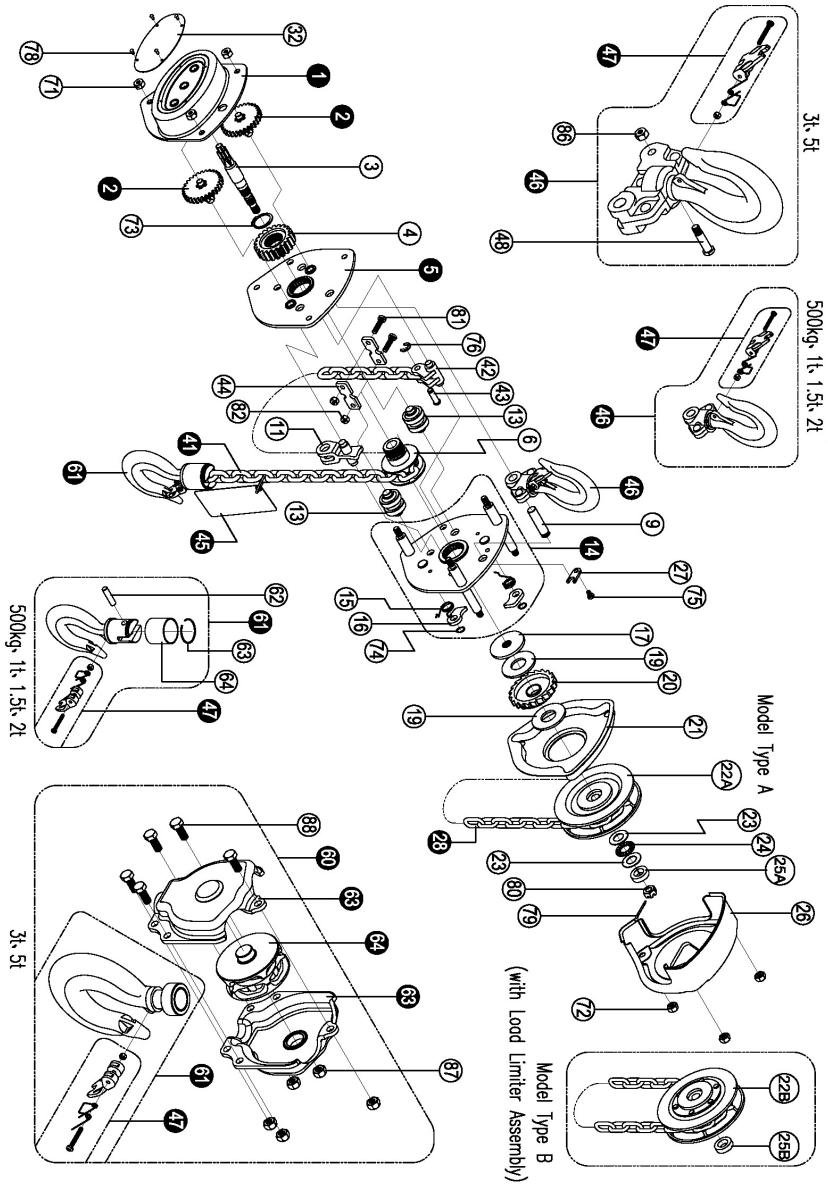
SPARE PARTS FOR 250KG MODEL (CONT.)

Code	No.	Description
710000	1	Gear cover assy
710001	2	Disc gear assy
710002	3	Drive shaft
710003	4	Splined gear
710004	5	Right side plate assy
710005	6	Load chain sprocket
710006	9	Top hook shaft
710007	11	Chain stripper
710008	13	Guide roller
710009	14	Left side plate assy
710010	15	Pawl spring
710011	16	Pawl
710012	17	Brake seat
710013	19	Friction plate
710014	20	Ratchet wheel
710015	21	Brake cover
710016	22	Hand chain wheel
710017	25	Step washer
710018	26	Hand chain cover

Code	No.	Description
710019	27	Positioned plate
710020	32	Nameplate
CHN250	41	Load Chain mm 4 x 12
710021	42	End anchor
710022	43	End anchor pin
710023	44	Protected plate
710024	45	Warning plate assy
710025	46	Top hook assy
710026	47	Safety latch assy
710027	61	Bottom hook assy
710028	62	Hook shaft
710029	63	Steel wire
retainer	64	Bush
710030	64	Bush
710031	71	Metal lock nut M6
710032	72	Metal lock nut M6
710033	74	Circlip 8
710034	75	Cross head screw M4x6
710035	76	Split retainer 4
710036	78	Nameplate 2.5x6
710037	79	Split pin 2.x16
710038	80	Hexagon recess nut M8
710039	81	Cross head screw M4x20
710040	82	Metal locked nut M4



SPARE PARTS FOR 500KG - 10 TONNE MODELS



SPARE PARTS FOR 500KG MODEL

Code	No.	Description
710050	1	Gear cover assy
710051	2	Disc gear assy
710052	3	Drive shaft
710053	4	Splined gear
710054	5	Right side plate assy
710055	6	Load chain sprocket
710056	9	Top hook shaft
710057	11	Chain stripper
710058	13	Guide roller
710059	14	Left side plate assy
710060	15	Pawl spring
710061	16	Pawl
710062	17	Brake seat
710063	19	Friction plate
710064	20	Ratchet wheel
710065	21	Brake cover
710066	22	Hand chain wheel
710067	23	Thrust washer 12x26x1
710068	24	Thrust bearing 12x26x2
710069	25	Step washer
710070	26	Hand chain cover

Code	No.	Description
710071	27	Positioned plate
710072	32	Nameplate
CHN100	41	Load Chain mm 5 x 15
710073	42	End anchor
710074	43	End anchor pin
710075	44	Protected plate
710076	45	Warning plate assy
710077	46	Top hook assy
710078	47	Safety latch assy
710079	61	Bottom hook assy
710080	62	Hook shaft
710081	63	Steel wire retainer
710082	64	Bush
710083	71	Metal lock nut M8
710084	72	Metal lock nut M8
710085	73	Circlip 22
710086	74	Circlip 10
710087	75	Cross head screw M4x10
710088	76	Split retainer 5
710089	78	Nameplate 2.5x6
710090	79	Split pin 2x16
710091	80	Hexagon recess nut M8
710092	81	Cross head nut M6x22
710093	82	Metal locked nut M6
710094	22B	O/L Hand wheel
710095	25B	O/L Spacer



SPARE PARTS FOR 1 TONNE MODEL

Code	No.	Description
710100	1	Gear cover assy
710101	2	Disc gear assy
710102	3	Drive shaft
710103	4	Splined gear
710104	5	Right side plate assy
710105	6	Load chain sprocket
710106	9	Top hook shaft
710107	11	Chain stripper
710108	13	Guide roller
710109	14	Left side plate assy
710110	15	Pawl spring
710111	16	Pawl
710112	17	Brake seat
710113	19	Friction plate
710114	20	Ratchet wheel
710115	21	Brake cover
710116	22	Hand chain wheel
710117	23	Thrust washer 15x28x2
710118	24	Thrust bearing 15x28x2
710119	25	Step washer
710120	26	Hand chain cover

Code	No.	Description
710121	27	Positioned plate
710122	32	Nameplate
CHN112	41	Load Chain mm 6.3 x 19.1
710123	42	End anchor
710124	43	End anchor pin
710125	44	Protected plate
710126	45	Warning plate assy
710127	46	Top hook assy
710128	47	Safety latch assy
710129	61	Bottom hook assy
710130	62	Hook shaft
710131	63	Steel wire retainer
710132	64	Bush
710133	71	Metal lock nut M8
710134	72	Metal lock nut M8
710135	73	Circlip 26
710136	74	Circlip 10
710137	75	Cross head Screw M4x10
710138	76	Split retainer 6
710139	78	Nameplate 2.5x6
710140	79	Split pin 2.5x25
710091	80	Hexagon recess nut M10
710092	81	Cross head nut M6x25
710093	82	Metal locked nut M6
710144	22B	O/L Hand wheel
710145	25B	O/L Spacer



SPARE PARTS FOR 1.5 TONNE MODEL

Code	No.	Description
710150	1	Gear cover assy
710151	2	Disc gear assy
710152	3	Drive shaft
710153	4	Splined gear
710154	5	Right side plate assy
710155	6	Load chain sprocket
710156	9	Top hook shaft
710157	11	Chain stripper
710158	13	Guide roller
710159	14	Left side plate assy
710160	15	Pawl spring
710161	16	Pawl
710162	17	Brake seat
710163	19	Friction plate
710164	20	Ratchet wheel
710165	21	Brake cover
710166	22	Hand chain wheel
710167	23	Thrust washer 15x28x1
710168	24	Thrust bearing 15x28x2
710169	25	Step washer
710170	26	Hand chain cover

Code	No.	Description
710171	27	Positioned plate
710172	32	Nameplate
CHN415	41	Load Chain mm 7.1 x 21
710173	42	End anchor
710174	43	End anchor pin
710175	44	Protected plate assy
710176	45	Warning plate assy
710177	46	Top hook assy
710178	47	Safety latch assy
710179	61	Bottom hook assy
710180	62	Hook shaft
710181	63	Steel wire retainer
710182	64	Bush
710183	71	Metal lock nut M8
710184	72	Metal lock nut M8
710185	73	Circlip 30
710186	74	Circlip 10
710187	75	Cross head Screw M6x10
710188	76	Split retainer 6
710189	78	Nameplate 2.5x6
710190	79	Split pin 2.5x25
710191	80	Hexagon Nut M10
710192	81	Cross head screw m6x25
710193	82	Metal locked nut M6
710194	22B	O/L Hand wheel
710195	25B	O/L Spacer



SPARE PARTS FOR 2 TONNE MODEL

Code	No.	Description
710200	1	Gear cover assy
710201	2	Disc gear assy
710202	3	Drive shaft
710203	4	Splined gear
710204	5	Right side plate assy
710205	6	Load chain sprocket
710206	9	Top hook shaft
710207	11	Chain stripper
710208	13	Guide roller
710209	14	Left side plate assy
710210	15	Pawl spring
710211	16	Pawl
710212	17	Brake seat
710213	19	Friction plate
710214	20	Ratchet wheel
710215	21	Brake cover
710216	22	Hand chain wheel
710217	23	Thrust washer 17x30x1
710218	24	Thrust bearing 17x30x2
710219	25	Step washer
710220	26	Hand chain cover

Code	No.	Description
710221	27	Positioned plate
710222	32	Nameplate
CHN107	41	Load Chain mm 8x 24
710223	42	End anchor
710224	43	End anchor pin
710225	44	Protected plate
710226	45	Warning plate assy
710227	46	Top hook assy
710228	47	Safety latch assy
710229	61	Bottom hook assy
710230	62	Hook shaft
710231	63	Steel wire retainer
710232	64	Bush
710233	71	Metal lock nut M10
710234	72	Metal lock nut M8
710235	73	Circlip 30
710236	74	Circlip 10
710237	75	Cross head screw M6x10
710238	76	Split retainer 8
710239	78	Nameplate 2.5x6
710240	79	Split pin 2.5x25
710241	80	Hexagon recess nut M12
710242	81	Cross head screw m6x25
710243	82	Metal locked nut M6
710244	22B	O/L Hand wheel
710245	25B	O/L Spacer



SPARE PARTS FOR 3 TONNE MODEL

Code	No.	Description	Code	No.	Description
710250	1	Gear cover assy	710271	27	Positioned plate
710251	2	Disc gear assy	710272	32	Nameplate
710252	3	Drive shaft	CHN415	41	Load Chain mm 7.1 x 21
710253	4	Splined gear	710273	42	End anchor
710254	5	Right side plate assy	710274	43	End anchor pin
710255	6	Load chain sprocket	710275	44	Protected plate
710256	9	Top hook shaft	710276	45	Warning plate assy
710257	11	Chain stripper	710277	46	Top hook assy
710258	13	Guide roller	710278	47	Safety latch assy
710259	14	Left side plate assy	710279	48	Bottom hook pin
710260	15	Pawl spring	710280	61	Bottom hook assy
710261	16	Pawl	710281	63	Bottom hook connector assy
710262	17	Brake seat	710282	64	Idler sheave assy
710263	19	Friction plate	710283	71	Complete metal locked nut M8
710264	20	Ratchet wheel	710284	72	Complete metal locked nut M8
710265	21	Brake cover	710285	73	Circlip 30
710266	22	Hand chain wheel	710286	74	Circlip 10
710267	23	Thrust washer 15x28x1	710287	75	Cross recess head screw M6x10
710268	24	Thrust bearing 15x28x2	710288	76	Split retainer 6
710269	25	Step washer	710289	78	Nameplate 2.5x6
710270	26	Hand chain cover	710290	79	Split pin 2.5x25
710294	86	Metal locked nut M8	710291	80	Hexagon recess nut M10
710295	87	Metal locked nut M8	710292	81	Cross head screw M6x25
710296	88	Hexagon head bolt M8x20	710293	82	Metal locked nut M6
			710294	22B	O/L Hand wheel
			710295	25B	O/L Spacer

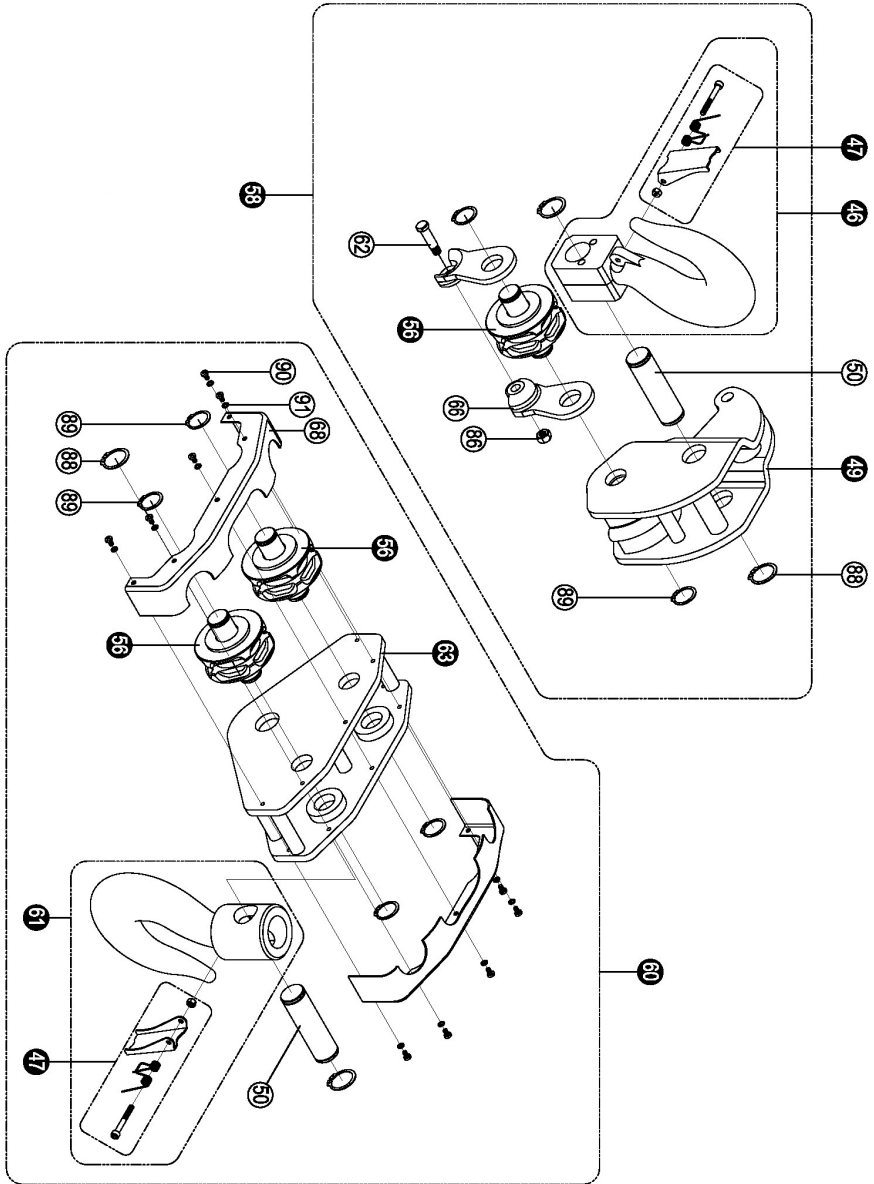


SPARE PARTS FOR 5 TONNE MODEL

Code	No.	Description	Code	No.	Description
710300	1	Gear cover assy	710321	27	Positioned plate
710301	2	Disc gear assy	710322	32	Nameplate
710302	3	Drive shaft	CHN435	41	Load Chain mm 9 x27
710303	4	Splined gear	710323	42	End anchor
710304	5	Right side plate assy	710324	43	End anchor pin
710305	6	Load chain sprocket	710325	44	Protected plate
710306	9	Top hook shaft	710326	45	Warning plate assy
710307	11	Chain stripper	710327	46	Top hook assy
710308	13	Guide roller	710328	47	Safety latch assy
710309	14	Left side plate assy	710329	48	Top hook pin
710310	15	Pawl spring	710330	61	Bottom hook assy
710311	16	Pawl	710331	63	Bottom hook connector assy
710312	17	Brake seat	710332	64	Idler sheave assy
710313	19	Friction plate	710333	71	Metal locked nut M12
710314	20	Ratchet wheel	710334	72	Metal locked nut M8
710315	21	Brake cover	710335	73	Circlip 30
710316	22	Hand chain wheel	710336	74	Circlip 10
710317	23	Thrust washer 17x30x1	710337	75	Cross head screw M6x10
710318	24	Thrust bearing 17x30x2	710338	76	Split retainer 9
710319	25	Step washer	710339	78	Nameplate 2.5x6
710320	26	Hand chain cover	710340	79	Split pin 2.5x25
710344	86	Metal locked nut M10	710341	80	Hexagob recess nut M10
710345	87	Hexagon head bolt M10x25	710342	81	Hexagon head bolt M8x35
710346	88	Metal locked nut m10	710343	82	Metal locked nut M8
			710344	22B	O/L Hand wheel
			710345	25B	O/L Spacer



SPARE PARTS FOR 10 TONNE MODEL



SPARE PARTS FOR 10 TONNE MODEL

Code	No.	Description	Code	No.	Description
710350A	1	Gear cover	710395A	50	Hook shaft
710351A	2	Disc gear assy	710396A	56	Idle sheave assy
710352A	3	Drive shaft	710380A	58	Top hook connector assy
710353A	4	Splined gear	710381A	60	Bottom hook connector assy
710354A	5	Right side plate assy	710379A	62	Top hook pin
710355A	6	Load chain sprocket	710397A	63	Hook connector assy
710356A	9	Top hook shaft	710398A	66	Pendant chain plate
710357A	11	Chain stripper	710399A	68	Protection cover
710358A	13	Guide roller	710382A	71	Complete metal locked nut M12
710359A	14	Left side plate assy	710383A	72	Complete metal locked nut M12
710360A	15	Pawl spring	710384A	73	Circlip 42
710361A	16	Pawl	710385A	74	Circlip 10
710362A	17	Brake seat	710386A	75	Cross head screw
710363A	19	Friction plate	710387A	76	Split Retainer 9
710634A	20	Ratchet wheel	710388A	78	Nameplate Rivet 2.5x6
710365A	21	Brake cover	710389A	79	Split Pin 2.5x25
710366A	22	Hand chain wheel	710390A	80	Metal locked nut
710367A	23	Thrust washer 17x30x1	710391A	81	Hexagon head bolt
710368A	24	Thrust bearing 17x30x2	710392A	82	Complete metal locked nut M8
710369A	25	Step washer	710400A	86	Complete metal locked nut M10
710370A	26	Hand chain cover	710393A	87	Split Pin 4x28
710371A	27	Positioned plate	710401A	88	Circlip 32
710372A	32	Nameplate	710402A	89	Circlip 28
CHN435	41	Load Chain 9x27mm	710403A	90	Cross recess head screw
710373A	42	End anchor	710404A	91	Light-duty spring washer
710374A	43	End anchor pin	710405A	92	Hexagon recess nut M12
710375A	44	Protected plate assy	710394A	93	Split Pin
710376A	45	Warning plate assy	710394	22B	O/L Hand wheel
710377A	46	Hook assy	710395	25B	O/L Spacer
710378A	47	Safety latch assy			
710406A	49	Top hook connector assy			



MAINTENANCE

It is the responsibility of the owner/operator to ensure Chain Blocks are maintained and tested in accordance with AS1418.2.

- Only authorised personnel should undertake to do repairs and testing on lifting equipment
- Keep load chains lubricated
- Always check the operation of the brake before starting to move a load
- Brakes must be kept free of oil and grease
- Safety latches should be free of defect and move freely with proper fitment to the hook
- The Overload Protection Device is pre-set and should not be changed from the manufacturer's settings
- If any of the following defects are evident, the Chain Block should be referred to an authorised or competent person for a more thorough examination, servicing and testing: Evidence of possible wear to hooks and fittings; damaged or distorted chain end anchor; chain wear including bends, notches, elongations, corrosion, not hanging freely or twisted; load slipping, jamming or will not lift; damaged covers; illegible markings: bent operating handles or other obvious damage

Recommended Lubricants	
Gears	Molybond TSG-01005880
Shafts and Bearings	Shell Retinax EP-04391003
Load Chain	CRC 5037 Lithium -00549423



SPARE PARTS

**General inspections are visual and should be carried out by the operator or any designated persons responsible for the equipment.
Service Inspections should only be performed by authorised personnel capable of undertaking Service, Repairs and Testing**

ITEM	CHECK	General Inspections	Service Inspections
Brake Assembly	Slipping under load or difficulty of release	X	X
Brake Disc	Glazing or score marks. Oil or contamination		X
Pawl: Ratchet	Worn or damaged		X
Pawl: Spring	Engagement, corrosion, stretching		X
Top and Bottom Hooks	Corrosion, deformation	X	X
Hook Retaining Components Nuts, Bolts, Pins	Not tight or secure	X	X
Hook Latches	Damaged, do not engage	X	X
Suspension Members, Sheaves, Hand Wheels, Chain Guides, Attachments, Suspension Pins and Bolts	Wear, Cracks, elongation	X	X
Gears	Distortion, worn or broken teeth, lack of lubrication		X
Load Chain	Grade, wear, elongation, twisted or damaged, lack of lubrication	X	X
Handle Assembly	Bent, damaged, select lever functional	X	X
Covers, Labelling	Removed, damaged or illegible	X	X



WARRANTY

All Pacific Chain Blocks are guaranteed against any apparent fault arising from manufacturing defects caused by faulty materials and / or workmanship.

Should any part fail due to the above within the specified period, the defective part will be repaired free of charge provided that the equipment is delivered to Pacific Hoists Pty Ltd closest repair centre. Freight charges both ways are payable by the claimant and no liability is accepted for loss or damage during transit.

The claimant is required to produce the original invoice or other purchase documents as proof of purchase. The specified warranty period shall be 12 months from date of such original invoice or other purchase document.

The warranty does not cover the purchaser, or any other person, for damage, loss, normal wear or faults caused from misuse or incorrect installation of the equipment. The equipment is required to have been installed and operated correctly by qualified personnel and not been subject to abuse, neglect or adjustment carried out by any unauthorised person.

This warranty is in addition to, and in no way restricts, any of the implied conditions or warranties conferred by Commonwealth, State or Territorial legislation.

This warranty may only be varied with the written approval of the Directors of Pacific Hoists Pty Ltd.

IMPORTANT WARRANTY INFORMATION

You **MUST** register your product at
www.pacifichoists.com.au/warranty_register.htm
to activate this warranty



INSPECTION & SERVICE LOG

Date	Notes	Auth Signature

Imported and distributed by Pacific Hoists Pty Ltd via a national distributor network throughout Australia and New Zealand.
For further information in relation to this product, please contact the distributor outlet where the product was purchased.

HEAD OFFICE

24 Foundry Road Seven Hills NSW 2147

| P +61 2 8825 6900 | F +61 2 8825 6999 | E sales@pacifichoists.com.au

WESTERN AUSTRALIA

Unit 1, 31 Colin Jamieson Drive Welshpool WA 6106

| P +61 8 6253 1000 | F +61 8 9458 9840 | E sales@pacifichoists.com.au

NEW ZEALAND

11 Druces Road Manukau City Auckland NZ 2104

| P +64 9 263 5566 | F +64 9 263 5567 | E sales@pacifichoists.co.nz

