

Comeup 12 & 24 Volt DC Winches

The Comeup 12 & 24 Volt DC Winches are heavy duty winches; ideal for installation in small trucks and utilities to eliminate the need for manual lifting and pulling. They are constructed from heavy duty material which creates a high performance product with low maintenance; suited for a wide range of applications.



Features:

- Compact, powerful and robust.
- Corrosion resistant.
- 12 or 24 Volt options.
- Strong robust mechanical brake.
- Over-current protection.
- Strong base for horizontal mounting.
- Remote pendant control - 4.4m length
- Weighted hook on DH500 models.
- Galvanised wire rope.
- Duty cycle is 25% ED and maximum frequency of 60 times per hour.
- Circuit breakers are supplied with all models.

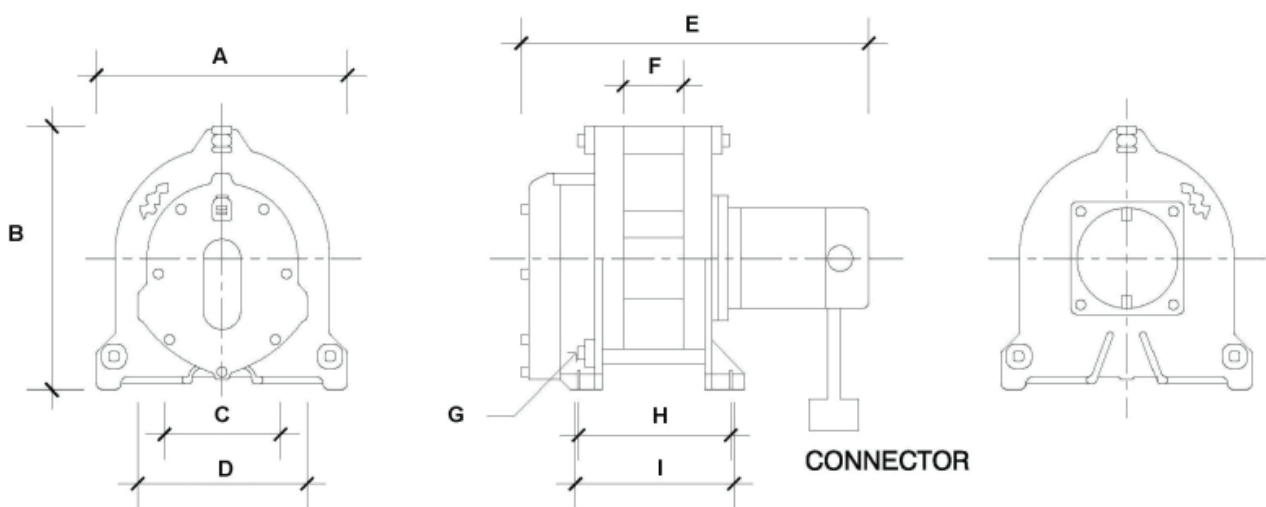
The information shown is to be used as a guide only. Specifications are subject to change without notice. All materials handling or lifting jobs should be assessed individually. Pacific Hoists products are NOT to be used for lifting or lowering persons.

Specifications

Model	DH120	DH120A	DH300	DH300A	DH500	DH500A
Stock Code	PDH120	PDH125	PDH300	PDH305	PDH500	PDH505
Rated Capacity (kg)	120	120	300	300	500	500
Voltage (A)	DC12V	DC24V	DC12V	DC24V	DC12V	DC24V
No Load Amp	7	4	10	5	15	12
Full Load Amp	20	10	40	18	50	30
Circuit Breaker Rating (Amp)	20	10	30	15	50	30
Speed (m/min)	5	5	5	5	4	4
Gear Ratio	56:1	56:1	240:1	240:1	276:1	276:1
Wire Rope (Ø mmxm)	Ø4 x 5	Ø4 x 5	Ø4.8 x 12	Ø4.8 x 12	Ø6.2 x 12	Ø6.2 x 12
Net Weight (kg)	17	17	27	27	27	27

Dimensions (in mm)

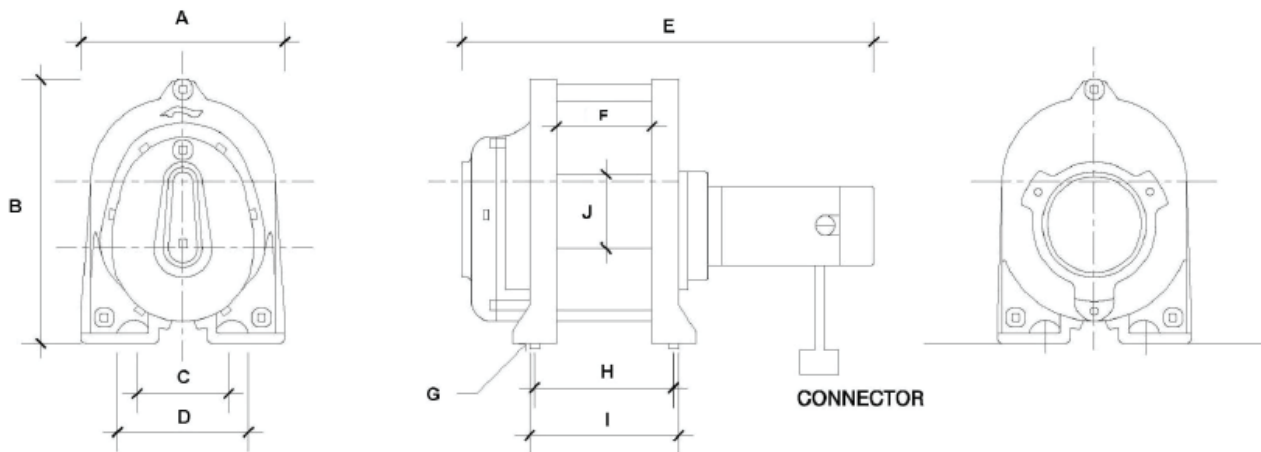
DH120 - DH120A



The information shown is to be used as a guide only. Specifications are subject to change without notice. All materials handling or lifting jobs should be assessed individually. Pacific Hoists products are NOT to be used for lifting or lowering persons.

Dimensions (in mm)

DH300 - DH300A

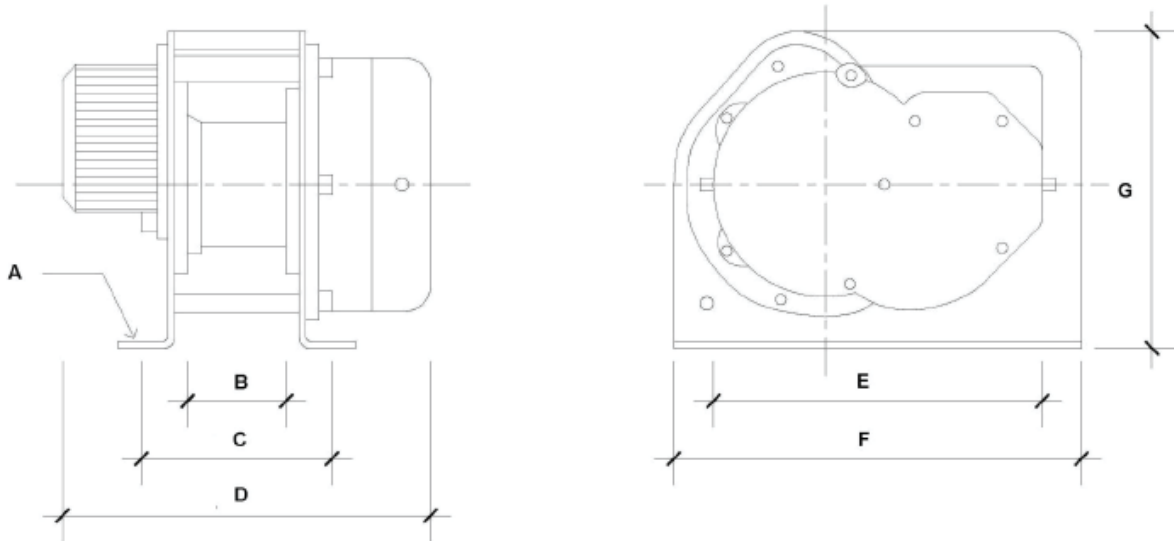


Model	DH120	DH120A	DH300	DH300A
A	200	200	210	210
B	210	210	270	270
C	92	92	94	94
D	135	135	135	135
E	276	276	423	423
F	46	46	97	97
G	B - Ø10.5	B - Ø10.5	B - Ø10.5	B - Ø10.5
H	120	120	142	142
I	125	125	152	152
J	-	-	75	75

The information shown is to be used as a guide only. Specifications are subject to change without notice. All materials handling or lifting jobs should be assessed individually. Pacific Hoists products are NOT to be used for lifting or lowering persons.

Dimensions (in mm)

DH500 - DH500A



Model	DH500	DH500A
A	Ø14	Ø14
B	75	75
C	145	145
D	280	280
E	250	250
F	310	310
G	240	240

Sydney - Head Office

24 Foundry Road
Seven Hills, NSW 2147
Australia

+61 (0)2 8825 6900

+61 (0)2 8825 6999

Western Australia

8 Monash Gate
Jandakot, WA 6164
Australia

+61 (0)8 6253 1000

+61 (0)8 9458 9840

Auckland NZ

11 Druces Road
Wiri, Auckland 2104
New Zealand

+64 (0)9 263 5566

+64 (0)9 263 5567

