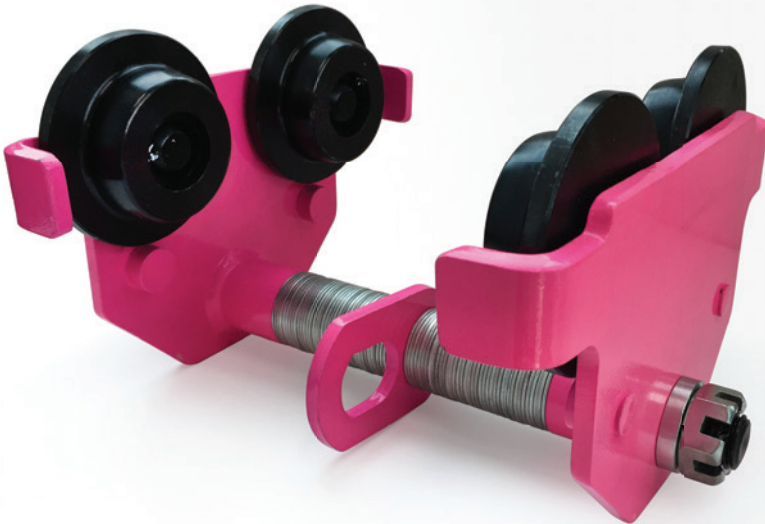




PUSH TROLLEY

INSTRUCTION MANUAL

Imported exclusively by Pacific Hoists Pty Ltd & Pacific Hoists Ltd.
In support of cancer charities in Australia & New Zealand



IMPORTANT

PLEASE READ THIS OPERATION MANUAL BEFORE USING THIS PRODUCT. THIS MANUAL CONTAINS IMPORTANT INFORMATION REGARDING SAFETY, OPERATION, INSTALLATION & MAINTENANCE.

ALWAYS OPERATE, INSPECT AND MAINTAIN THIS PRODUCT IN ACCORDANCE WITH AS1418.2

INTRODUCTION

Thank you for purchasing your new Challenger Push Trolley. This device now uses the latest technology to ensure you of a higher quality, robust design with a high level of operator safety which is easier and safer to use, ensuring a longer service life. Choosing the Challenger brand also directly supports cancer charities in Australia.

It is important that this manual be kept in a safe place where any operator of the Challenger Push Trolley can refer to it and understand the operating principles of this device. All users of this Challenger Push Trolley should read this manual in full and understand the safe operating principles of the device.

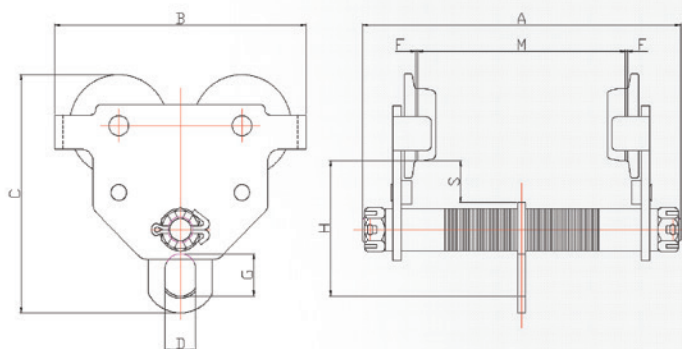
FEATURES

FEATURES OF THE CHALLENGER PUSH TROLLEY INCLUDE THE FOLLOWING:

- All Challenger models are manufactured to comply with AS1418.2.
- Fully adjustable to suit various beam widths.
- Fitted with anti-drop plates for improved safety and compliance.
- High-grade, fully sealed bearings for maintenance free extended life.
- For every model sold, a donation will be made to the McGrath Foundation in Australia and the Child Cancer Foundation in New Zealand

SPECIFICATIONS TABLE

Model	CPT106	CPT101	CPT102	CPT103	CPT105
Rated Capacity (Kg)	500	1,000	2,000	3,000	5,000
Test load (Kg)	750	1,500	3,000	4,500	7,500
Beam width range (mm)	50-152	64-203	88-203	100-203	114-203
Pin configuration	Single	Single	Single	Single	Single
Min. radius of curve (m)	0.8	1.0	1.1	1.3	1.4
Net weight (Kg)	6.0	10.0	16.5	28.0	42.0



DIMENSIONS TABLE

Model	CPT106	CPT101	CPT102	CPT103	CPT105
A	244	310	327	340	354
B	200	245	276	332	380
C	149.5	174	202	234.5	266
D	6	8	12	14	16
F	1.5 – 3.0				
G	50	63	78	92	111
H	106	127	146	170	197
S	32	38	36	40	42
M (MIN. / MAX.)	50 - 152	64 - 203	88 - 203	100 - 203	114 - 203

PRE-START CHECKLIST

THE CHALLENGER PUSH TROLLEY HAS BEEN DESIGNED FOR MANUAL OPERATION ONLY:

- Ensure the trolley suits the runway beam type, including rated capacity, minimum and maximum beam width stated on the tag
- For wider beam widths or alternative beam types, please contact your local Challenger distributor
- Familiarise yourself with the trolley and the equipment it is being fitted too
- For curve radius sections – check the trolley data sheet ensuring the trolley is within the minimum radius specified
- Set the trolley width ensuring equal amount of spacers are fitted either side of the side plates and drop plates
- Set the trolley correctly so the suspension point is central to the runway
- Set trolley width with up to 3mm or less clearance either side of the beam flange
- Ensure that there are no protruding parts or obstructions that will affect its safe operation on the runway beam
- Ensure all fixings and fasteners are fully secured prior to operating the trolley
- Ensure that all trolley wheels are in contact with the running surface of the beam
- Ensure that the runway beam is fitted with positive end stops which engage onto the tread and not the flange of the trolley wheel
- Ensure any equipment being fitted is of correct sizing to the trolley and doesn't exceed its rated capacity

ON SITE CHECKS

THERE ARE A NUMBER OF CHECKS RECOMMENDED WHEN USING THE CHALLENGER PUSH TROLLEY ON A JOB SITE.

- Check the trolley before use and do not use a defective trolley
- Never side load the trolley as this may cause damage to the track or trolley and potentially cause the equipment to detach from the track and fail
- Push rather than pull the suspended load
- Ensure that all fixings and fasteners have been re-tightened periodically through maintenance procedures
- Only qualified persons to install, carry out or undertake any maintenance work
- Recommend that maintenance or inspections be carried out under AS1418.2 & AS2550

CHECK

- Loose or damaged side plates – load bar or suspension eyes
- Wear or damage to the wheel treads or flanges
- Insecure wheels and axel pins
- Lubrication

GENERAL PRECAUTIONS

- DO NOT overload the push trolley
- DO NOT use the push trolley if adjusted incorrectly
- DO NOT side-load the push trolley
- DO NOT use this push trolley without end stops

OPERATING INSTRUCTIONS

- Store and handle trolleys correctly
- Inspect trolleys, blocks and accessories before use and before placing into storage
- Ensure the wheel profile is suitable for the track
- Check the trolley width is correctly set for the track
- Ensure the track is fitted with positive end stops
- Push rather than pull loads suspended on push/ pull trolleys
- Never side load the trolley as this may cause damage to the track or trolley potentially causing the equipment to detach from the track and fail
- Never expose trolleys to chemicals, particularly acids, without consulting your local Challenger distributor
- Never force or wedge the suspension hook or blocks onto the load bar
- Never throw or drop a trolley
- Never expose a trolley directly to the elements, water spray, steam etc. without consulting your local Challenger distributor
- Never use a trolley with chipped or otherwise damaged wheel flanges

WARRANTY

Pacific Hoists Pty Ltd (ABN 88 000 631 032) warrants that all products distributed by the company are guaranteed against any apparent fault arising from manufacturing defects caused by faulty materials and / or workmanship.

Should any part fail due to the above within 24 months, Pacific Hoists Pty Ltd will repair or replace the defective part free of charge. To make a claim pursuant to this warranty, the equipment must be delivered to Pacific Hoists Pty Ltd. Freight charges both ways are payable by the claimant and no liability is accepted for loss or damage during transit.

The claimant is required to produce the original invoice or other purchase documents as proof of purchase when making a claim pursuant to this warranty. The warranty does not cover the purchaser or any other person for damage, loss, normal wear or faults caused from misuse or incorrect installation of the equipment.

To be eligible under this warranty, the equipment is required to have been installed and operated correctly by qualified personnel and has not been subject to abuse, neglect or adjustment carried out by an unauthorized person.

This warranty may only be varied with the written approval of the Directors of Pacific Hoists Pty Ltd.

In the following statement 'Our' means 'Pacific Hoists Pty Ltd' and 'You' means the 'claimant.'

Our goods come with guarantees that cannot be excluded under the Australian Consumer Law. You are entitled to a replacement or refund for a major failure and for compensation for any other reasonably foreseeable loss or damage. You are also entitled to have the goods repaired or replaced if the goods fail to be of acceptable quality and the failure does not amount to a major failure.

The benefits given to the claimant in this warranty are in addition to other rights and remedies under a law in relation to the goods or services to which this warranty applies.



INSPECTION LOG

INITIAL SERVICE DATE:

SERIAL NO:

DATE	NOTES	AUTH SIGNATURE

Imported exclusively by Pacific Hoists Pty Ltd & Pacific Hoists Ltd.
For further information in relation to this product,
please contact the branch where the product was purchased.

HEAD OFFICE

24 Foundry Road, Seven Hills NSW 2147

National Sales & Service

P: 02 8825 6900

www.pacifichoists.com.au



Thank you for choosing the Challenger brand. Not only are you choosing a quality and reliable brand but you are also helping to support cancer charities in Australia & New Zealand.