



INSPECTION LOG

INITIAL SERVICE DATE:

SERIAL NO:

DATE	NOTES	AUTH SIGNATURE

Imported exclusively by Pacific Hoists Pty Ltd & Pacific Hoists Ltd.
For further information in relation to this product,
please contact the branch where the product was purchased.

SYDNEY HEAD OFFICE
24 Foundry Road, Seven Hills NSW 2147

Australia National Sales & Service
P: 02 8825 6900
www.pacifichoists.com.au

NEW ZEALAND OFFICE
11 Druces Rd
Manukau City 2104,
New Zealand

P: +64 (0)9 263 5566



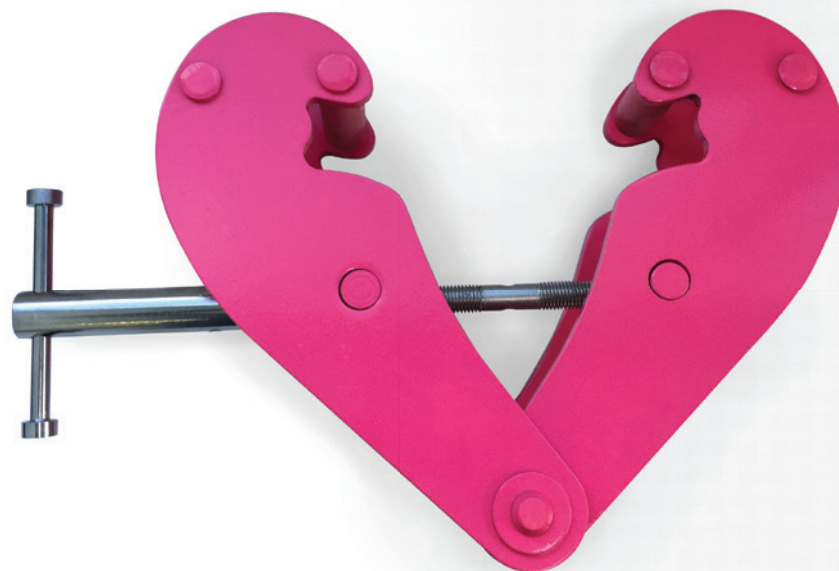
Thank you for choosing the Challenger brand. Not only are you choosing a quality and reliable brand but you are also helping to support cancer charities in Australia & New Zealand.



GIRDER CLAMP

INSTRUCTION MANUAL

Imported exclusively by Pacific Hoists Pty Ltd & Pacific Hoists Ltd.
In support of cancer charities in Australia & New Zealand



SAFETY INSTRUCTIONS

THE FOLLOWING SAFETY INSTRUCTIONS OUTLINE THE CARE AND SAFE USE OF BEAM CLAMPS AND ARE BASED ON SECTION 8 OF THE LEEA CODE OF PRACTICE FOR THE SAFE USE OF LIFTING EQUIPMENT.

This information is of a general nature; only covering the main points for the safe use of beam clamps intended for use as suspension points for lifting appliances. It may be necessary to supplement this information for specific applications.

ALWAYS

- Store and handle beam clamps correctly
- Inspect beam clamps and accessories before use and before placing into storage
- Ensure the supporting structure is adequate for the full load that will be imposed and suitable for the application.
- Check the clamp is of the correct profile and size, or correctly adjusted, for the beam width and that it seats correctly on the beam flange.
- Ensure the beam clamp is strong enough for the full load that will be imposed.
- Check that the clamp is directly over the centre of gravity of the load.

NEVER

- Use beam clamps which are unidentified or uncertified for lifting applications.
- Never replace bolts, shackles etc. without consulting the supplier.
- Throw or drop beam clamps.
- Use beam clamps on damaged or distorted beams.
- Force or wedge hooks of lifting appliances into the attachment eye or fitting (e.g. shackle).
- Obliquely load beam clamps without the authority of the supplier.

STORING & HANDLING BEAM CLAMPS

Never return damaged beam clamps to storage. They should be dry, clean and protected from corrosion. Where necessary fasteners should be reassembled immediately after removal from the beam. Beam clamps should not be dropped or thrown down.

USING BEAM CLAMPS SAFELY

The safe use of beam clamps will largely be governed by the requirements for the lifting appliance with which it is to be used but should take the following matters into account:

- Do not use defective beam clamps, lifting appliances or accessories.
- Ensure the structure from which the clamp is to be suspended is undamaged and is adequate for the full load that will be imposed. If any doubt exists consult a Competent Person to confirm suitability.
- Ensure the clamp is suitable for the application, correct size and profile for the beam and seats correctly. It must not cause localised overloading.
- Ensure the lifting appliance is compatible with the clamp and that hooks or other attachments fit freely into the eye, shackle etc. of the clamp.
- The clamp must be positioned directly over the centre of gravity of the load and the load must not be allowed to swing or impose an oblique loading.
- If two clamps are to be used in tandem the use of ancillary equipment may also be necessary, e.g. spreader beam. Care must be taken to ensure no one clamp takes more than its rated capacity.

IN-SERVICE INSPECTION AND MAINTENANCE

Beam clamps should be cleaned and any moving parts lubricated at appropriate intervals unless the suppliers specific instructions indicate otherwise.

Regularly inspect the beam clamp, in the event of the following defects refer the clamp to a competent Person for thorough examination: wear, damage or distortion, cracks, insecure bolts etc., corrosion, illegible markings.

OPERATING INSTRUCTIONS

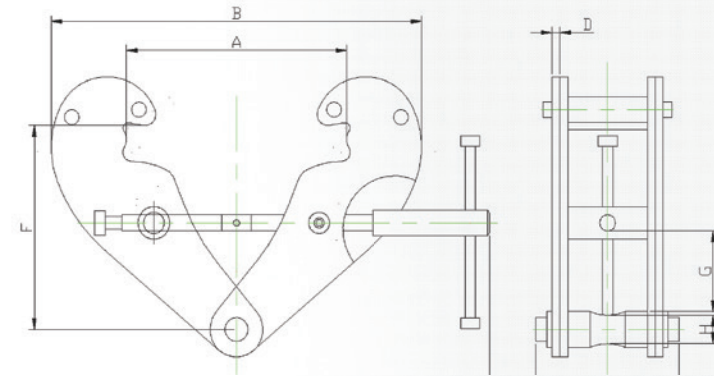
- Do not exceed the rated capacity of the Challenger Girder Clamp.
- The Challenger Girder Clamp is NOT suitable for lifting persons under any circumstances.
- The clamp must always be installed and used by a competent person.
- Always check the device for damaged, deformed or missing parts before putting in use.
- Select an appropriate beam section which has been assessed by a competent person as being safe and capable of supporting the additional load.
- Release the locking pin in order to fit the clamp to top the beam section.
- Slide on the clamp and lock the locking pin until both jaws are secured to the beam.
- Always make sure the safety locking nut is closed.
- Attach the lifting equipment to both suspension points.
- Stand clear while the load is lifted slightly. Visually inspect that the clamp is attached properly, the load is balanced and is safe to continue the lifting operation.
- On completion of use, remove the lifting equipment from the suspension point. Release the locking pin and remove the clamp from the section

MAINTENANCE INSTRUCTIONS

- The robust and simple design of the Challenger Girder Clamp will provide a long service life with minimal maintenance or repair required.
- Avoid damage to the screw – keep dirt, grit and other contaminants away from the threads and other moving parts while in use.
- Periodically open the clamp jaws fully and clean any contaminants from the screw threads. Apply a light coating of grease to prevent rust and provide lubrication.
- Store carefully when not in use. Inspect regularly and remove any damaged clamp from service immediately for examination by a competent person. Contact your local dealer for further assistance.

SPECIFICATIONS TABLE

Model	CGC101	CGC102	CGC103	CGC105	CGC106
Rated Capacity (Kg)	1,000	2,000	3,000	5,000	10,000
Test load (Kg)	1,500	3,000	4,500	7,500	15,000
Beam width range (mm)	80 - 240	80 - 240	90 - 330	90 - 330	90 - 350
Net weight (Kg)	3.5	4.5	9.5	11.0	16.0



DIMENSIONS TABLE

Model	CGC101	CGC102	CGC103	CGC105	CGC106
A (max.)	270	270	355	355	364
B (min. / max.)	183 - 370	183 - 370	243 - 500	243 - 500	269 - 521
C	94	102	132	142	180
D	4	6	8	10	12
E	198	198	263	263	285
F (min. / max.)	100 - 154	100 - 154	148 - 219	148 - 219	165 - 239
G (min.)	22	22	46	43	51
H	20	20	22	28	38

IMPORTANT

PLEASE READ THIS OPERATION MANUAL BEFORE USING THIS PRODUCT. THIS MANUAL CONTAINS IMPORTANT INFORMATION REGARDING SAFETY, OPERATION, INSTALLATION & MAINTENANCE.

ALWAYS OPERATE, INSPECT AND MAINTAIN THIS PRODUCT IN ACCORDANCE WITH AS4991

INTRODUCTION

Thank you for purchasing your new Challenger Girder Clamp. This device now uses the latest technology to ensure you of a higher quality, robust design with a high level of operator safety which is easier and safer to use, ensuring a longer service life. Choosing the Challenger brand also directly supports cancer charities in Australia.

It is important that this manual be kept in a safe place where any operator of the Challenger Girder Clamp can refer to it and understand the operating principles of this device. All users of this Challenger Girder Clamp should read this manual in full and understand the safe operating principles of the device.

FEATURES

FEATURES OF THE CHALLENGER GIRDER CLAMP INCLUDE THE FOLLOWING:

- All Challenger models are manufactured to comply with AS4991.
- These clamps are used to safely suspend loads of many descriptions from girders (I-beams).
- Manual, Electric and Air hoist installations are examples of their wide capability of usage
- Quick and easy to install and reposition makes them ideal for maintenance tasks
- Jaws clamp over girder flanges.
- Also suitable for lifting I-beams.
- For every model sold, a donation will be made to the McGrath Foundation in Australia and the Child Cancer Foundation in New Zealand

WARRANTY

Pacific Hoists Pty Ltd (ABN 88 000 631 032) warrants that all products distributed by the company are guaranteed against any apparent fault arising from manufacturing defects caused by faulty materials and / or workmanship.

Should any part fail due to the above within 24 months, Pacific Hoists Pty Ltd will repair or replace the defective part free of charge. To make a claim pursuant to this warranty, the equipment must be delivered to Pacific Hoists Pty Ltd. Freight charges both ways are payable by the claimant and no liability is accepted for loss or damage during transit.

The claimant is required to produce the original invoice or other purchase documents as proof of purchase when making a claim pursuant to this warranty. The warranty does not cover the purchaser or any other person for damage, loss, normal wear or faults caused from misuse or incorrect installation of the equipment.

To be eligible under this warranty, the equipment is required to have been installed and operated correctly by qualified personnel and has not been subject to abuse, neglect or adjustment carried out by an unauthorized person.

This warranty may only be varied with the written approval of the Directors of Pacific Hoists Pty Ltd.

In the following statement 'Our' means 'Pacific Hoists Pty Ltd' and 'You' means the 'claimant.'

Our goods come with guarantees that cannot be excluded under the Australian Consumer Law. You are entitled to a replacement or refund for a major failure and for compensation for any other reasonably foreseeable loss or damage. You are also entitled to have the goods repaired or replaced if the goods fail to be of acceptable quality and the failure does not amount to a major failure.

The benefits given to the claimant in this warranty are in addition to other rights and remedies under a law in relation to the goods or services to which this warranty applies.