

Pacific Electric Chain Hoists Single Speed

The Pacific Electric Chain Hoists Single Speed (all hoist models ending in NH) offer a great balance between quality and price. The models vary from 250kg to 5 tonne capacity and are all tested to the Australian standards. All hoists are inclusive of many features which makes them suited for most applications. Optional Motorised Trolleys are available to complete the package.



Features:

- 60% Duty Cycle
- All Pacific models are manufactured to comply with AS 1418.2
- IP65 pendant with 24 volt control for operator safety.
- Overload protection clutch prevents damage caused by overloading.
- Inclusive of DC Brake which automatically engages in the event of a power failure.
- Completely enclosed design to withstand harsh conditions.
- Upper & lower electrical limit switches.
- Grade 80 zinc plated load chain supplied as standard.
- Motor thermal protection on all Pacific Electric Chain Hoists.
- Fuse protection provided for both primary and secondary control circuits.
- IP55 protection rating on all electric hoists & trolleys.
- Reverse phase protection relay on all models excluding 250kg.
- Optional radio remote control.
- Models 200-1, 300-2, 500-2 have dual braking & geared limit switches.

The information shown is to be used as a guide only. Specifications are subject to change without notice. All materials handling or lifting jobs should be assessed individually. Pacific Hoists products are NOT to be used for lifting or lowering persons.

Specifications

Pacific Electric Chain Hoists Single Speed - 415Volt, 50Hz

Model	PEH025NH	PEH050NH	PEH100NH	PEH200-2NH	PEH200-1NH	PEH300-2NH	PEH500-2NH
Stock Code	PEH025NH	PEH050NH	PEH100NH	PEH2002NH	PEH200-1NH	PEH300-2NH	PEH500-2NH
Rated Capacity (kg)	250	500	1000	2000	2000	3000	5000
Standard Lift Height (m)	3	3	3	3	3	3	3
Chain Dimension (mm)	4 x 12	6.3 X 19.1	7.1 X 20.2	7.1 X 20.2	10 X 30	10 X 30	11.2 X 34
Speed (m/min)	12	10	8	4	9.6	6.4	4
Motor (kW)	0.6	1.1	1.5	1.5	3.7	3.7	3.7
E.D. Rating (%)	60	60	60	60	60	60	60
Load Chain Fall No.	1	1	1	2	1	2	2
Weight (kg)	30	47	62	67	102	120	145

Motorised Trolleys - 415Volt, 50hz

Model	PET050	PET055	PET100	PET105	PET200	PET205	PET210	PET215
Stock Code	PET050	PET055	PET100	PET105	PET200	PET205	PET210	PET215
Rated Capacity (kg)	500	500	1000	1000	2000	2000	2000	2000
Speed (m/min)	10	20 / 5	10	20 / 5	10	20 / 5	10	20 / 5
Motor (kW)	0.12	0.12 / 0.03	0.18	0.18 / 0.04	0.37	0.37 / 0.09	0.37	0.37 / 0.9
Beam Width (mm)	75 - 125	75 - 125	75 - 125	75 - 125	100 - 150	100 - 150	100 - 150	100 - 150

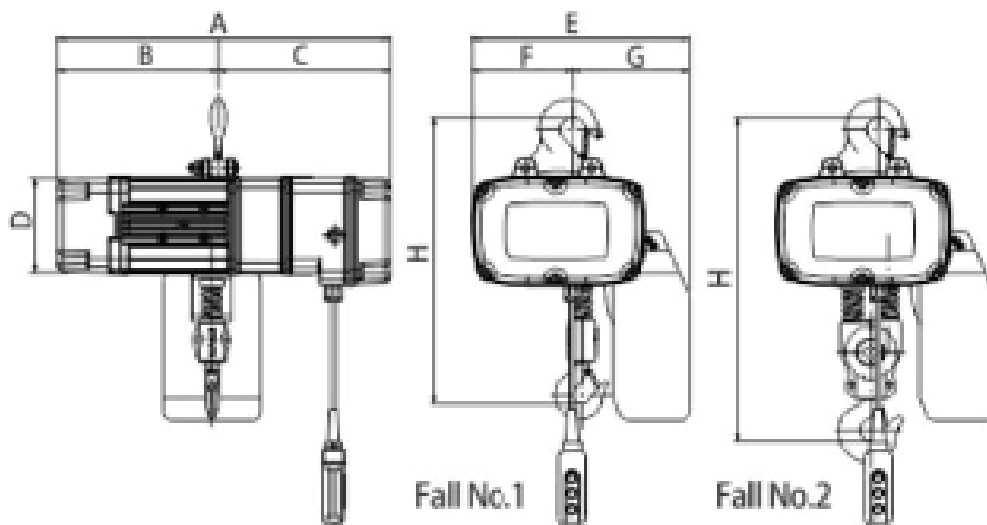
Model	PET310	PET315	PET510	PET515
Stock Code	PET310	PET315	PET510	PET515
Rated Capacity (kg)	3000	3000	5000	5000
Speed (m/min)	10	20 / 5	10	20 / 5
Motor (kW)	0.6	0.6 / 0.15	0.6	0.6 / 0.15
Beam Width (mm)	125 - 175	125 - 175	125 - 175	125 - 175

*Standard beam sizes available.
Larger sizes available upon request.*

The information shown is to be used as a guide only. Specifications are subject to change without notice. All materials handling or lifting jobs should be assessed individually. Pacific Hoists products are NOT to be used for lifting or lowering persons.

Dimensions (in mm)

Pacific Electric Chain Hoists Single Speed

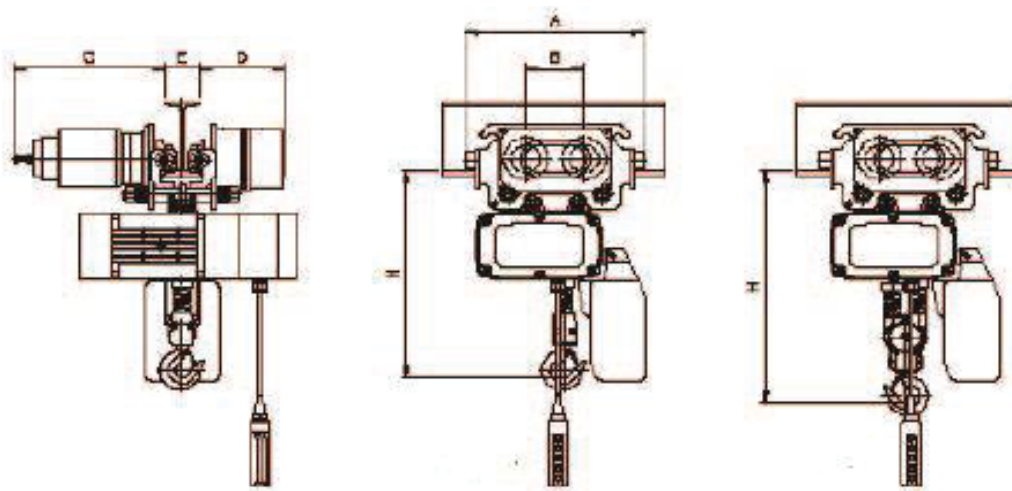


Model	PEH025NH	PEH050NH	PEH100NH	PEH200-2NH	PEH200-1NH	PEH300-2NH	PEH500-2NH
A	380	570	616	616	685	685	685
B	175	266	297	297	310	310	310
C	205	304	319	319	375	375	375
D	135	164	180	180	215	215	215
E	299	375	409	409	520	520	520
F	143	190	191	191	265	265	210
G	156	185	218	218	255	255	310
H	376	500	550	620	800	800	920

The information shown is to be used as a guide only. Specifications are subject to change without notice. All materials handling or lifting jobs should be assessed individually. Pacific Hoists products are NOT to be used for lifting or lowering persons.

Dimensions (in mm)

Pacific Electric Chain Hoists with Trolley



Model	PEH025NH +PET055	PEH050NH +PET050	PEH100NH +PET105	PEH200-2NH +PET205	PEH200-1NH +PET215	PEH300-2NH +PET315	PEH500-2NH +PET515
A	382	382	382	392	329	512	540
B	125.5	125.5	125.5	159	159	177	191
C	324	324	324	357	357	407	410
D	180	180	180	183	183	192	195
E	75 - 125	75 - 125	75 - 125	100 - 150	100 - 150	125 - 175	125 - 175
H	385	483	510	582	715	820	860

Sydney - Head Office

24 Foundry Road
Seven Hills, NSW 2147
Australia

+61 (0)2 8825 6900

+61 (0)2 8825 6999

Western Australia

8 Monash Gate
Jandakot, WA 6164
Australia

+61 (0)8 6253 1000

+61 (0)8 9458 9840

Auckland NZ

11 Druces Road
Wiri, Auckland 2104
New Zealand

+64 (0)9 263 5566

+64 (0)9 263 5567

