

## Pacific Single Flange Trolley Wheels

The Pacific Single Flange Trolley Wheels are ideally suited for general machinery production, crane building, platforms, carriages and rail systems. They are designed to suit both parallel and tapered flanges and are available in different capacities from 500 kg to 10 tonne.

### Features:

- CNC Machines from high quality 45# steel.
- Designed to suit both parallel and tapered flanges.
- Fully sealed ball bearings
- Inclusive of dust cap and circlip.
- Supplied complete; with galvanised axle and nut.

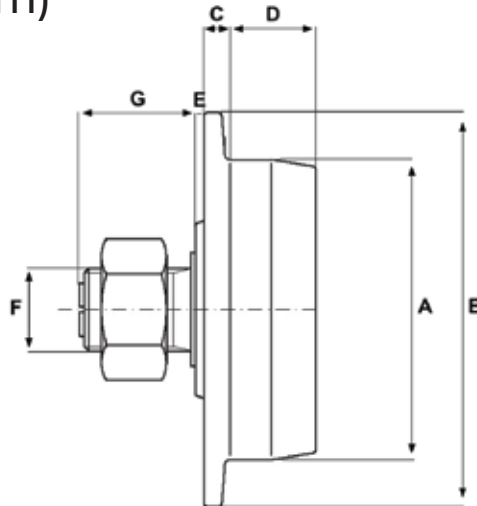


The information shown is to be used as a guide only. Specifications are subject to change without notice. All materials handling or lifting jobs should be assessed individually. Pacific Hoists products are NOT to be used for lifting or lowering persons.

## Specifications

Model	PTW005	PTW010	PTW020	PTW030	PTW050	PTW100
Rated Capacity on 4 Wheels	500 kg	1 tonne	2 tonne	3 tonne	5 tonne	10 tonne
Rated Capacity per Wheel	125 kg	250 kg	500 kg	750 kg	1.25 tonne	2.5 tonne
Weight (kg)	0.7	1	2.5	3.7	6.2	12.3

## Dimensions (in mm)



Model	PTW005	PTW010	PTW020	PTW030	PTW050	PTW050
ØA	62	70	100	114	140	175
ØB	92	100	136	160	190	230
C	9	9	11	13	15	12
D	18	20	24	28	34	53
E	2	2	2	3	3	3.2
F	M16	M20	M24	M30	M36	M48
G	30	35	45	50	60	70

### Sydney - Head Office

24 Foundry Road  
Seven Hills, NSW 2147  
Australia

+61 (0)2 8825 6900

+61 (0)2 8825 6999

### Western Australia

8 Monash Gate  
Jandakot, WA 6164  
Australia

+61 (0)8 6253 1000

+61 (0)8 9458 9840

### Auckland NZ

11 Druces Road  
Wiri, Auckland 2104  
New Zealand

+64 (0)9 263 5566

+64 (0)9 263 5567

