

Pacific Electric Chain Hoists

The Pacific Electric Chain Hoists offer a great balance between quality and price. The models vary from 250kg to 5 tonne capacity and are all tested to the Australian standards. All hoists are inclusive of many features which makes them suited for most applications. Optional Motorised Trolleys are available to complete the package.



Features:

- All Pacific models are manufactured to comply with AS1418.2.
- IP65 pendant with 24 volt control for operator safety.
- Overload protection clutch prevents damage caused by overloading.
- Inclusive of DC Brake which automatically engages in the event of a power failure.
- Completely enclosed design to withstand harsh conditions.
- Upper and lower electrical limit switches.
- Grade 80 zinc plated load chain supplied as standard.
- Motor thermal protection on all Pacific Electric Chain Hoists.
- Fuse protection provided for both primary and secondary control circuits.
- IP55 protection rating on all electric hoists and trolleys.
- Reverse phase protection relay on all models excluding 250kg.
- Optional radio remote control.

The information shown is to be used as a guide only. Specifications are subject to change without notice. All materials handling or lifting jobs should be assessed individually. Pacific Hoists products are NOT to be used for lifting or lowering persons.

Specifications

Pacific Electric Hoists - 415Volt, 50Hz

Model	PEH025	PEH050	PEH100	PEH200-2	PEH200-1	PEH300-2	PEH500-2
Stock Code	PEH025	PEH050	PEH100	PEH200	PEH200-1	PEH300-2	PEH500-2
Rated Capacity (kg)	250	500	1000	2000	2000	3000	5000
Standard Lift Height (m)	3	3	3	3	3	3	3
Chain Dimension (mm)	4 x 12	6.3 x 19.1	7.1 x 20.2	7.1 x 20.2	10 x 30	10 x 30	10 x 30
Speed (m/min)	12 / 3	10 / 2.5	8 / 2	4 / 1	9.6 / 2.4	6.4 / 1.6	4 / 1
Motor (kW)	0.6 / 0.15	1.1 / 0.28	1.5 / 0.37	1.5 / 0.37	3.7 / 0.9	3.7 / 0.9	3.7 / 0.9
E.D. Rating (%)	40 / 20	40 / 20	40 / 20	40 / 20	40 / 20	40 / 20	40 / 20
Load Chain Fall No.	1	1	1	2	1	2	2
Weight (kg)	30	42	57	62	102	120	145

Motorised Trolleys - 415Volt, 50Hz

Model	PET050	PET055	PET100	PET105	PET200	PET205	PET210	PET215
Stock Code	PET050	PET055	PET100	PET105	PET200	PET205	PET210	PET215
Rated Capacity (kg)	500	500	1000	1000	2000	2000	2000	2000
Speed (m/min)	10	20 / 5	10	20 / 5	10	20 / 5	10	20 / 5
Motor (kW)	0.12	0.12 / 0.03	0.18	0.18 / 0.04	0.37	0.37 / 0.09	0.37	0.37 / 0.9
Beam Width (mm)	75 - 125	75 - 125	75 - 125	75 - 125	100 - 150	100 - 150	100 - 150	100 - 150

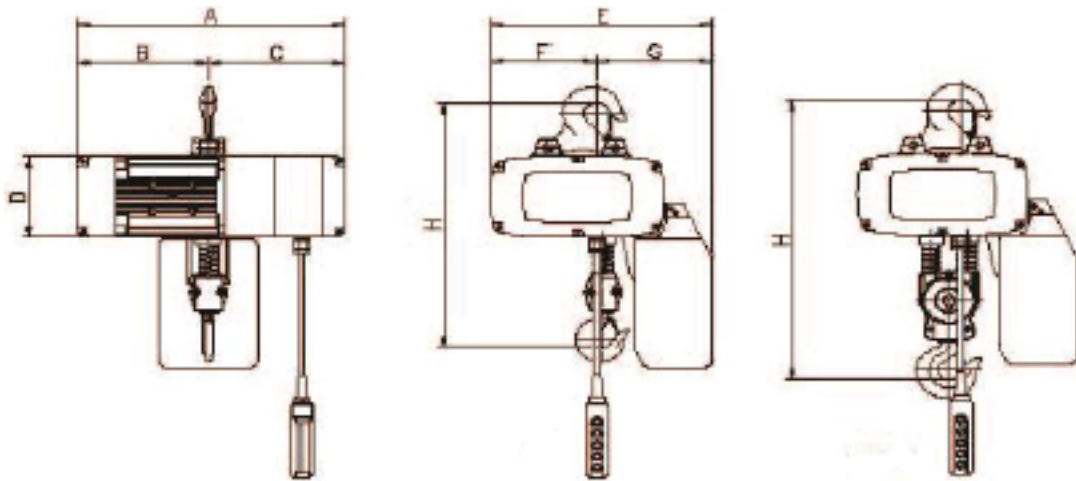
Model	PET310	PET315	PET510	PET515
Stock Code	PET310	PET315	PET510	PET515
Rated Capacity (kg)	3000	3000	5000	5000
Speed (m/min)	10	20 / 5	10	20 / 5
Motor (kW)	0.6	0.6 / 0.15	0.6	0.6 / 0.15
Beam Width (mm)	125 - 175	125 - 175	125 - 175	125 - 175

**Standard beam sizes available up to 300mm width. Larger sizes available upon request.*

The information shown is to be used as a guide only. Specifications are subject to change without notice. All materials handling or lifting jobs should be assessed individually. Pacific Hoists products are NOT to be used for lifting or lowering persons.

Dimensions (in mm)

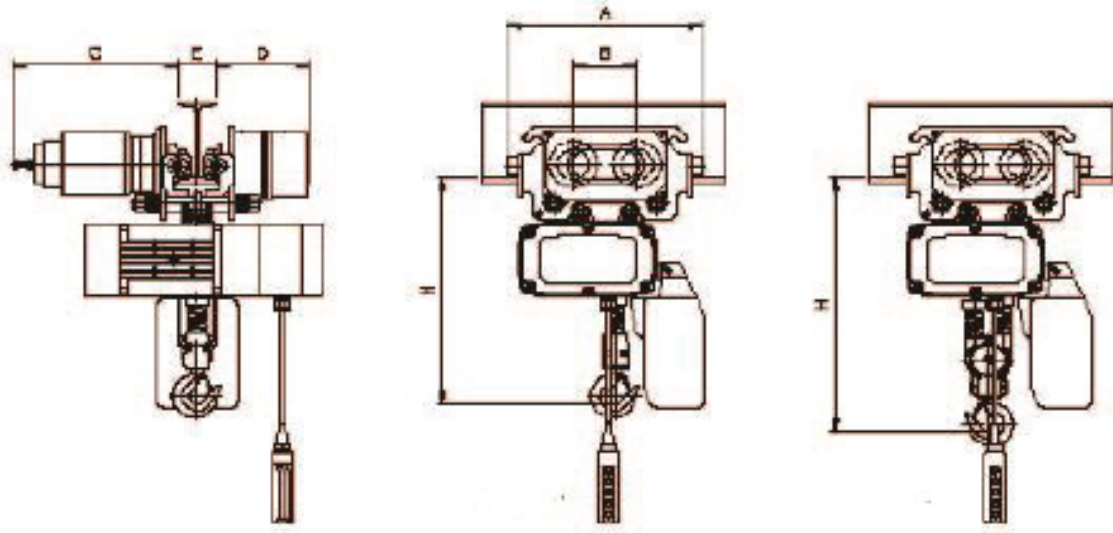
Pacific Electric Chain Hoists



Model	PEH025	PEH050	PEH100	PEH200-2	PEH200-1	PEH300-2	PEH500-2
A	380	468	487	487	685	685	685
B	175	221	240	240	310	310	310
C	205	247	248	248	375	375	375
D	135	156	170	170	215	215	215
E	299	366	398	398	520	520	520
F	143	186	188	188	265	210	210
G	156	180	210	210	255	310	310
H	376	485	520	592	800	890	920

The information shown is to be used as a guide only. Specifications are subject to change without notice. All materials handling or lifting jobs should be assessed individually. Pacific Hoists products are NOT to be used for lifting or lowering persons.

Pacific Electric Chain Hoists + Trolley



Model	PEH025 + PET055	PEH050 + PET050	PEH100 + PET105	PEH200-2 + PET205	PEH200-1 + PET215	PEH300-2 + PET315	PEH500-2 + PET515
A	382	382	382	392	329	512	540
B	125.5	125.5	125.5	159	159	177	191
C	324	324	324	357	357	407	410
D	180	180	180	183	183	192	195
E	75 - 125	75 - 125	75 - 125	100 - 150	100 - 150	125 - 175	125 - 175
H	385	483	510	582	715	820	860

Sydney - Head Office

24 Foundry Road
Seven Hills, NSW 2147
Australia

+61 (0)2 8825 6900

+61 (0)2 8825 6999

Western Australia

8 Monash Gate
Jandakot, WA 6164
Australia

+61 (0)8 6253 1000

+61 (0)8 9458 9840

Auckland NZ

11 Druces Road
Wiri, Auckland 2104
New Zealand

+64 (0)9 263 5566

+64 (0)9 263 5567

