

Pacific Brake Winches

The Pacific Brake Winches are compact, lightweight and a cost-effective solution for a variety of applications. They can be used for both pulling and lifting purposes and comply to the Australian Standards AS1418.2 when correctly fitted with the approved wire rope and fittings. They can be supplied with a powder-coated or in stainless steel, depending on your application.

The Salt Spray Test is an international standardised test method used to check the corrosion resistance of coated samples. Protective coatings provide corrosion resistance to metallic parts made of steel, zinc and aluminium alloys or brass. Since these coatings can provide a high corrosion resistance through the intended life of the part in use, it is necessary to check this by other means than normal outside exposure. The Salt Spray Test produces an accelerated corrosive attack to the coated samples, in order to predict its suitability in use as a protective finish. The appearance of corrosion products (i.e. rust) is evaluated after a period of time. Test duration depends on the resistance of the coating; the more resistant the coating is, the longer the period in testing without showing signs of corrosion. After 1,000 hours of the Salt Spray Test, the Pacific Brake Winches did not show any sign of corrosion and the coating was still intact.

Features:

- Positive Weston-style brake will hold the load in any position.
- Compact, lightweight and rugged construction.
- Mechanical components enclosed for protection and safety.
- Available with a powder-coated finish.
- Rope to drum fixing clamp provide
- BHW1200 available as a noiseless model
- AS1418.2 Compliance applies when correctly fitted with approved wire rope and fittings.
- BHW1200 / BHW1800 / BHW2600 also available in stainless steel.
- Heat-treated gears.
- Strong removable handles.
- High precision construction minimises gear noise.



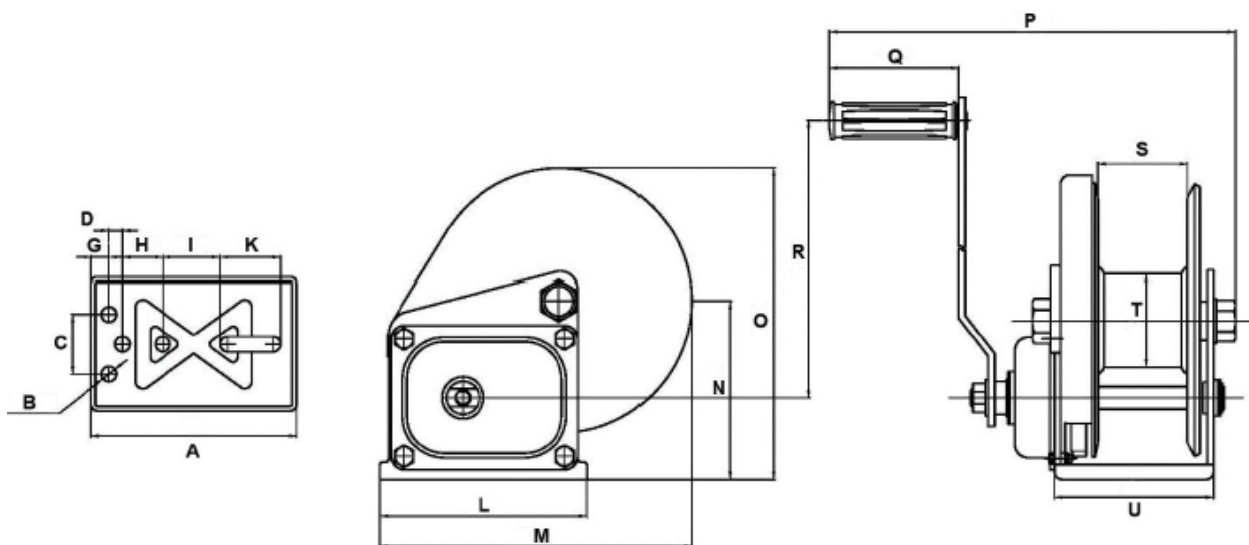
The information shown is to be used as a guide only. Specifications are subject to change without notice. All materials handling or lifting jobs should be assessed individually. Pacific Hoists products are NOT to be used for lifting or lowering persons.

Specifications

Model	BHW-800	BHW-1200	BHW-1800	BHW-2600	SF-2200
Pulling Capacity (kg)	370	545	820	1200	1700
Lifting Capacity	180	270	410	600	850
Hand Force Required (kg)	14.5	15	22	19	16
Standard Finish	Powder-Coated	Powder-Coated	Powder-Coated	Powder-Coated	Powder-Coated
Gear Ratio	4.1:1	4.1:1	5.0:1	10:1	22.2:1
Handle Length (mm)	160	210	320	320	300
Hub Diameter (mm)	Ø40	Ø50	Ø70	Ø80	Ø60
Cable Diameter (mm x m)	Ø4.0 x 36	Ø5.0 x 23	Ø6.0 x 24	Ø8.0 x 16	Ø8.0 x 32
Net. Weight (kg)	3.0	3.3	8.0	10.3	13.5
Stainless Steel Available	No	Yes	Yes	Yes	No
Noiseless Available	No	Yes	No	No	No

Dimensions (in mm)

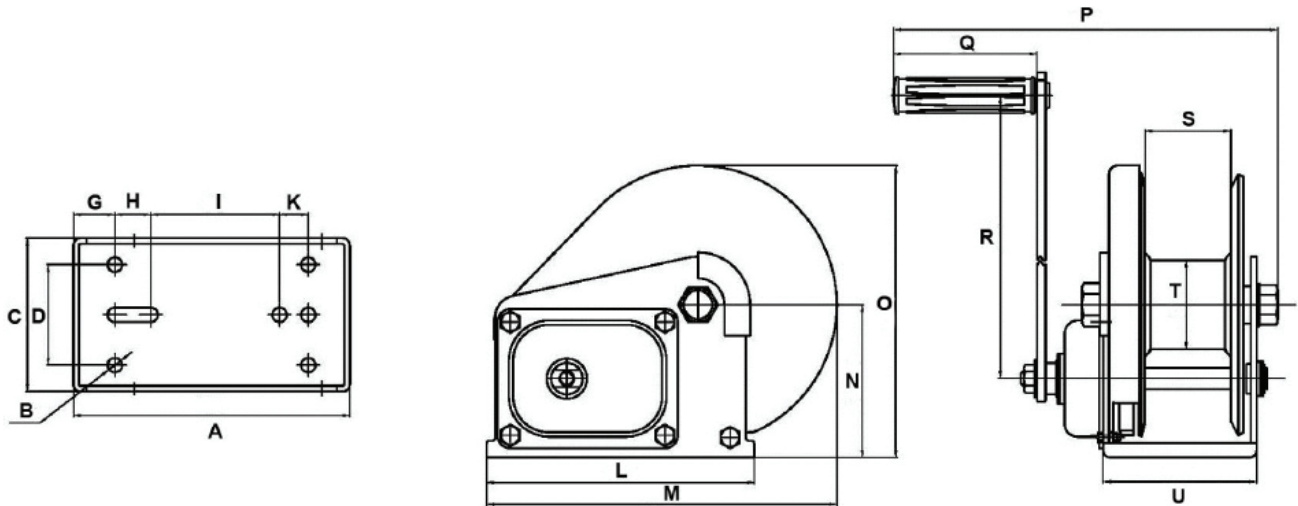
BHW800 / BHW1200



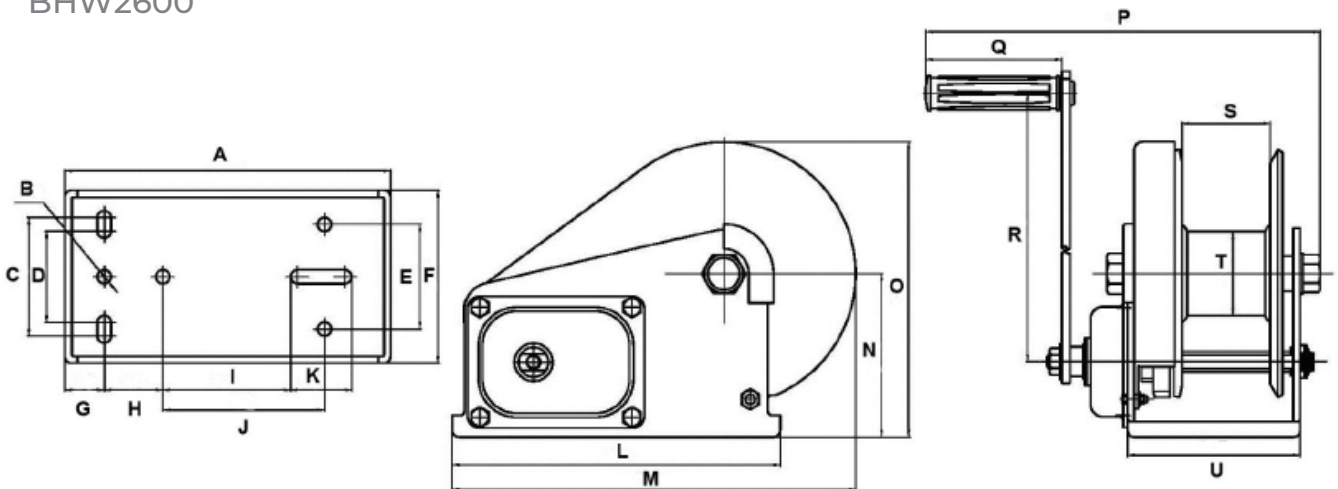
The information shown is to be used as a guide only. Specifications are subject to change without notice. All materials handling or lifting jobs should be assessed individually. Pacific Hoists products are NOT to be used for lifting or lowering persons.

Dimensions

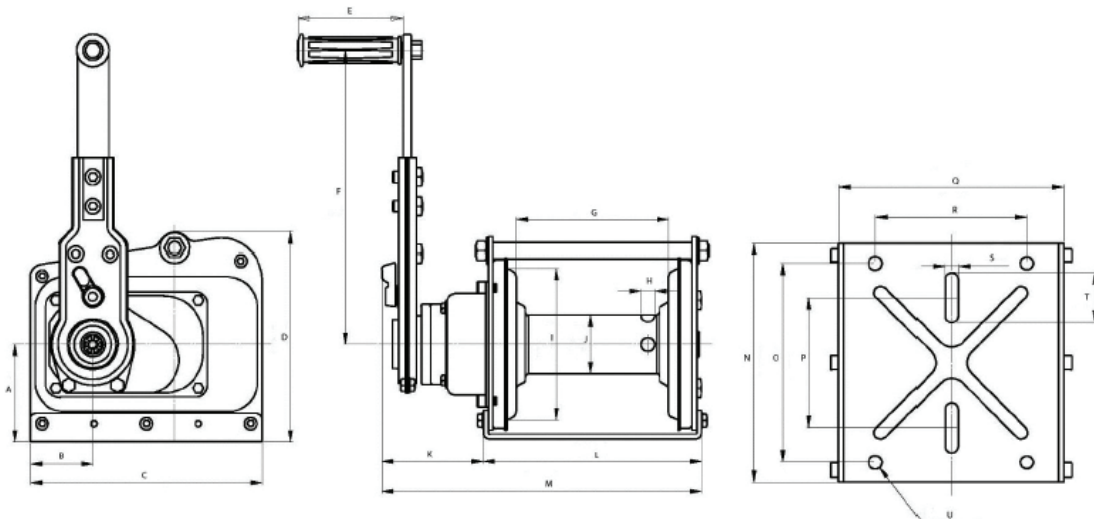
BHW1800



BHW2600



SF2200



The information shown is to be used as a guide only. Specifications are subject to change without notice. All materials handling or lifting jobs should be assessed individually. Pacific Hoists products are NOT to be used for lifting or lowering persons.

Model	BHW800	BHW1200	BHW1800	BHW2600	SF2200
A	138	138	198	240	100
B	4 – Ø10	4 – Ø10	Ø10	Ø10	64.3
C	40	40	107	87	238
D	9	9	70	67	214
E	-	-	-	77	108
F	-	-	-	127	300
G	12	12	29	29	156
H	27	27	25	43	Ø16
I	38.5	38.5	90	94	Ø155
J	-	-	-	119	Ø60
K	41	41	20	45	118
L	138	138	187	240	224
M	190	190	245	295	342
N	85	85	106.5	120	238
O	160	160	204	217	198
P	275	275	285	300	130
Q	108	108	108	108	224
R	160	210	320	320	150
S	55	52	60	65	13
T	Ø40	Ø50	Ø70	Ø82	50
U	89	89	107	127	4 – Ø13

Sydney - Head Office

24 Foundry Road
Seven Hills, NSW 2147
Australia

☎ +61 (0)2 8825 6900

☎ +61 (0)2 8825 6999

Western Australia

Unit 1, 31 Colin Jamieson Drive
Welshpool, WA 6106
Australia

☎ +61 (0)8 6253 1000

☎ +61 (0)8 9458 9840

Auckland NZ

11 Druces Road
Wiri, Auckland 2104
New Zealand

☎ +64 (0)9 263 5566

☎ +64 (0)9 263 5567

