



Pacific Hoists

QUALITY LIFTING SOLUTIONS

Hand Brake Winches

Operating Manual



24 Foundry Rd, Seven Hills NSW 2147 Australia | P +61 2 8825 6900

Pacific Hoists PTY LTD | www.pacifichoists.com.au



Brake Winch

Operating Instructions

Model: BHW-800, BHW-1200, BHW-1800, BHW-2600

WARNING: BEFORE USING THE WINCH, READ CAREFULLY THIS MANUAL AND KEEP IT FOR FURTHER REFERENCE.

A) Specifications

MODEL NUMBER	BHW-800	BHW-1200	BHW-1800	BHW-2600
Lifting capacity (KG)	400	600	900	1200
Pulling Capacity (KG)	800	1200	1800	2600
Hand Force Required (kg)	14.5	15	22	19
Gear Ratio	4.1:1	4.1:1	5:1	10:1
Hub Diameter (mm)	ø34/ø40	ø34/ø50	ø70	ø80
Handle Length (mm)	160	210	320	320
Unit Weight (kg)	3	3.3	8	10.3
Rope Diameter (mm)(Ref.)	ø4	ø5	ø7	ø8
Rope Storage Cap. (M)	37/36	25/23	24	18

B) Features

A high quality, multi- purpose winch. Frame is one-piece design, plastic handle grip, high strength alloy-steel gear of one-piece design, welded reel. Baked enamel and plated finish. Automatic brake that ensures suspension of the load.

C) Use

Lifting of the load must happen by rotating the crank clock-wise. When releasing the crank, the load remains suspended. The descent of the load must happen by rotating the crank counterclock-wise. The automatic brake intervenes to avoid unchecked descent of the load. Always ensure a minimum load of 5% of the rated capacity is used to engage braking systems effectively. Do not lift a load less than 5% of rated capacity.



D) Important Safety Information

- This winch is not to be used to transport people or for loads over areas where people could be present.
- Never apply load on winch with cable fully extended. Keep at least three full turns of cable on the reel.
- Operate with hand power and with crank included in the equipment only. This winch should not be operated with a motor of any kind. If the winch cannot be cranked easily with one hand, it is probably over-loaded.

E) Note

The winch finish can be protected and will provide longer service if it is periodically washed with water and then wiped with light oil or wax.

F) Lubrication

This winch has been fully lubricated at the factory, but for continued smooth performance and increased life, occasionally grease gears, reel shaft, and handle threads.

G) Caution

Do not oil or grease brake mechanism.

H) Fixing Of The Rope To The Drum

1. (a) BHW-800, BHW-1200, BHW-1800: please refer to figure 1.

(b) BHW-2600: please refer to figure 2.

2. Completely tighten the screw of the fixing device.

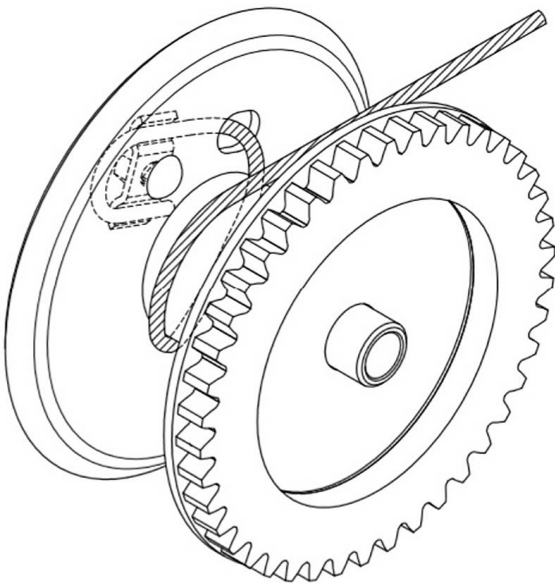


Figure 1 for the BHW800,BHW1200 and BHW1800

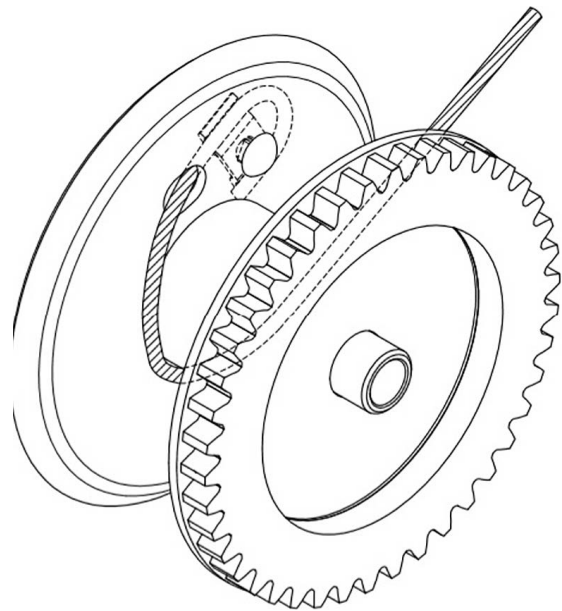


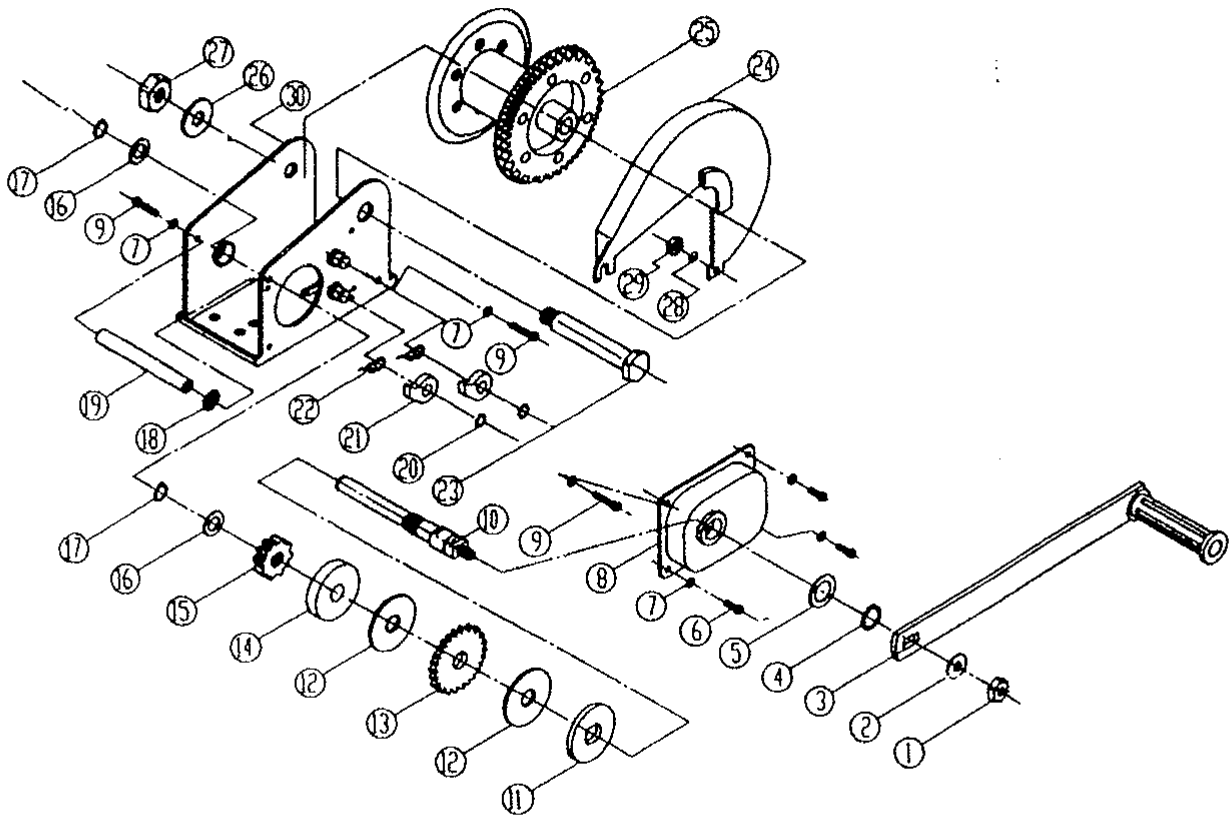
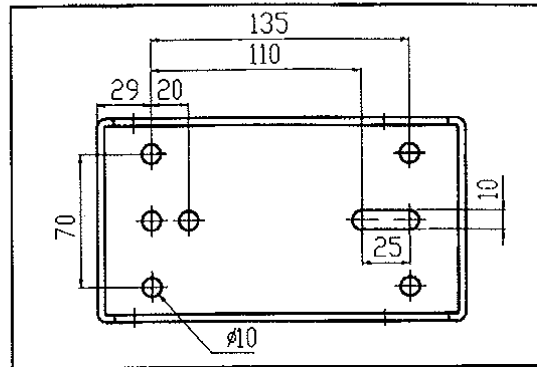
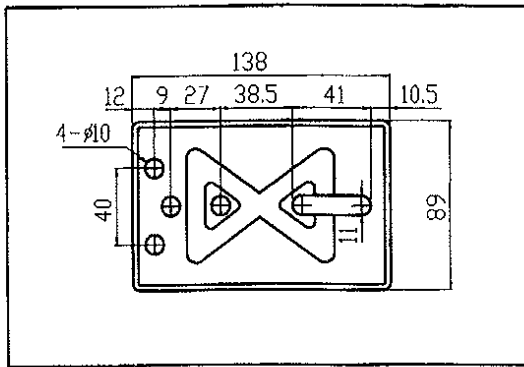
Figure 2 for the BHW2600



(I) Exploded View Parts List BHW 800,1200,1800

BHW-800, BHW-1200

BHW-1800



REF NO	PART NO.	PART NAME	QTY.
1	B-1	Nut (BHW800&1200:M12xP1.75)(BHW1800:M10xP1.5)	2, 1
2	B-2	Flat Washer	1
3	B-3	Handle	1
4	B-4	Snap Ring (BHW800&1200:S20) (BHW1800:S22)	1, 1
5	B-5	Flat Washer	1
6	B-6	Screw (M6xP1)	4, 3
7	B-7	Spring Washer	4, 6
8	B-8	Brake Cover	1
*9	B-9	Screw (BHW1800:M6xP1x16L)	3
10	B-10	Pinion Shaft	1
11	B-11	Brake back-up plate	1
12	B-12	Friction disc	2
13	B-13	Ratchet Gear	1
14	B-14	Pressure Washer	1
15	B-15	Pinion Gear	1
16	B-16	Flat Washer	2
17	B-17	Snap Ring (BHW800&1200;S13)(BHW1800;S15)	2, 2
*18	B-18	Self-locking Ring (BHW-1800)	1
*19	B19	Strength Bolt (BHW-1800)	1
20	B-20	Snap Ring (S12)	1, 2
21	B-21	Pawl	1, 2
22	B-22	Pawl Spring	2
23	B-23	Reel Bolt	1
**24	B-24	Gear Cover	1
25	B-25	Winch Reel	1
26	B-26	Flat Washer	1
27	B-27	Nut (BHW800&1200:M12xP1.75)(BHW1800:M16xP2)	1, 1
*28	B-28	Flat Washer (BHW1800:M6xP1)	1
*29	B-29	Nut (BHW1800:M6xP1)	1
30	B-30	Winch Frame	1

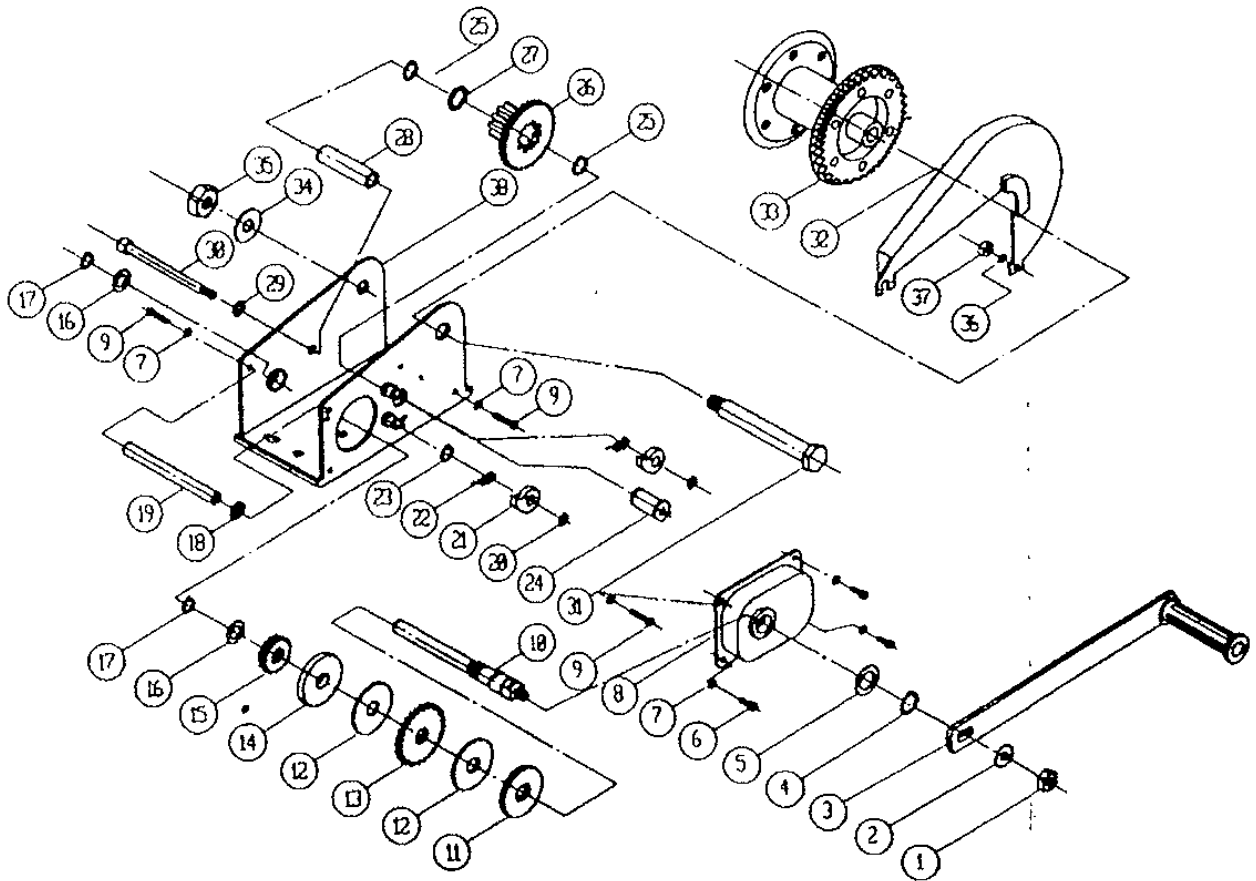
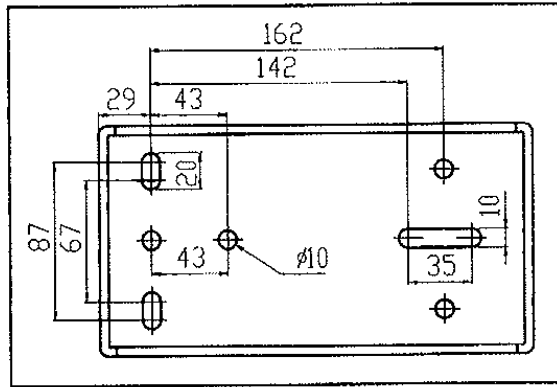
P.S * for BHW -1800 only.

** Optional Part



2) Exploded View Parts List BHW 2600

Hole Shape



REF. NO.	PART NO	PART NAME	Q'TY.
1	B-1	Nut (M10XP1.5)	1
2	B-2	Flat Washer	1
3	B-3	Handle	1
4	B-4	Snap Ring	1
5	B-5	Flat Washer	1
6	B-6	Screw (M6xP1)	3
7	B-7	Spring Washer	6
8	B-8	Brake Cover	1
9	B-9	Screw (M6xP1x16L)	3
10	B-10	Pinion Shaft	1
11	B-11	Brake Back-up Plate	1
12	B-12	Friction Disc	2
13	B-13	Ratchet Gear	1
14	B-14	Pressure Washer	1
15	B-15	Pinion Gear (1st Gear)	1
16	B-16	Flat Washer	2
17	B-17	Snap Ring (S15)	2
18	B-18	Self-Locking Ring	1
19	B-19	Strength Bolt	1
20	B-20	Snap Ring (S12)	2
21	B-21	Pawl	2
22	B-22	Pawl Spring	2
23	B-23	Snap Ring (S17)	1
24	B-24	2nd Gear Shaft	1
25	B-25	Snap Ring (S20)	2
26	B-26	2nd Gear Set	1
27	B-27	Flat Washer	1
28	B-28	Socket	1
29	B-29	Spring Washer	1
30	B-30	Gear Bolt	1
31	B-31	Reel Bolt	1
32	B-32	Gear Cover	1
33	B-33	Winch Reel	1
34	B-34	Flat Washer	1
35	B-35	Nut (M16xP1)	1
36	B-36	Winch Frame	1
37	B-37	Nut (M16XP1)	1
38	B-38	Winch Frame	1

P.S When ordering replacement parts, please specify model No., Part No. & Quantity

