

Challenger Plate Clamps

The Challenger Plate Clamps are manufactured from high quality steel to guarantee the safety and durability required by industrial applications. They are suitable for the lifting and transferring of non-sagging steel plates in a vertical or horizontal position.

By choosing Challenger you directly support our community since we commit to make a donation for every product sold to the McGrath Foundation in Australia or the Child Cancer Foundation in New Zealand.



Universal Plate Clamp



Horizontal Plate Clamp

Features:

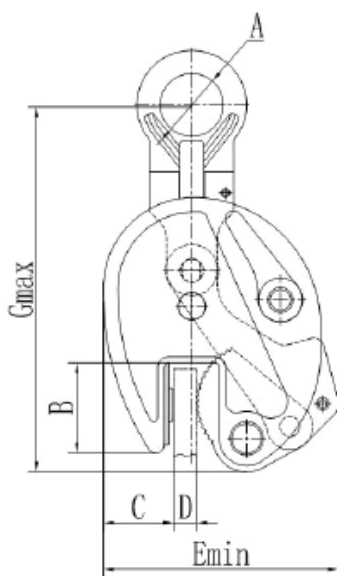
- The Challenger Plate Clamps are manufactured to comply with AS4991
- These clamps are ergonomically designed to improve the user experience. They are compact and lightweight without compromising the quality of the design.
- Suitable for the lifting and transferring of steel plates and other materials in a wide variety of industries such as; shipbuilding, construction, fabrication, manufacturing and off-shore applications
- Great value for money
- 2 Year Warranty

The information shown is to be used as a guide only. Specifications are subject to change without notice. All materials handling or lifting jobs should be assessed individually. Pacific Hoists products are NOT to be used for lifting or lowering persons.

Specifications

Challenger Universal Plate Clamp

Model		CCL110	CCL111	CCL112	CCL113	CCL115
Capacity (kg)		500	1000	2000	3000	5000
Jaw (mm)		0 - 15	0 - 20	0 - 25	0 - 30	0 - 50
Dimensions (mm)	A	Ø30	Ø48	Ø68	Ø74	Ø80
	B	43	63	78	85	100
	C	34	50	61	57	66
	D	0 - 17	0 - 22	0 - 27	0 - 32	0 - 52
	E min	106	145	174	207	240
	F	10	12	16	20	24
	G max	216	292	369	428	481
	H	50	66	76	102	110
Net Weight (kg)		2	4.5	7.3	15	21.6



Load should not be less than 10% rated capacity

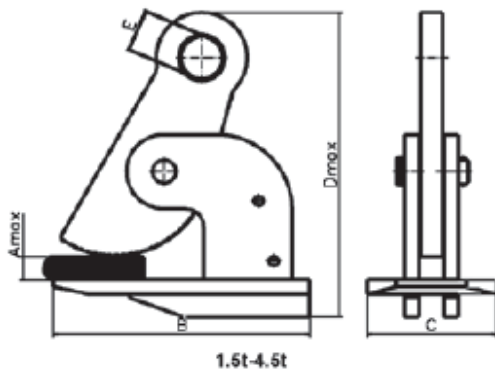
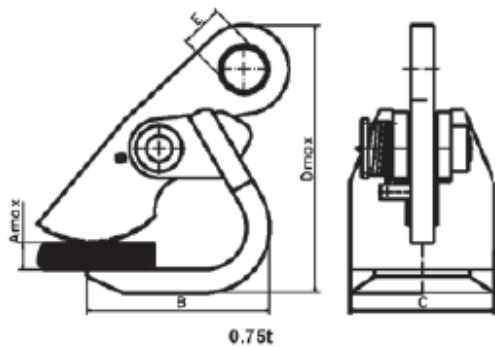
Suitable for material hardness up to 37RC

The information shown is to be used as a guide only. Specifications are subject to change without notice. All materials handling or lifting jobs should be assessed individually. Pacific Hoists products are NOT to be used for lifting or lowering persons.

Specifications

Challenger Horizontal Plate Clamp

Model	CCL121	CCL122	CCL123	CCL124
Capacity per unit (kg)	750	1500	2500	4500
Capacity per Pair (kg)	1500	3000	5000	9000
Jaw (mm) A max	0 - 50	0 - 50	0 - 60	0 - 100
Dimensions (mm) B	50	50	60	100
	C	127	220	290
D max	100	110	130	165
E	218	270	315	425
	Ø30	Ø36	Ø40	Ø40
Net Weight per unit (kg)	4.1	7.4	13.8	28.6
Net Weight per pair (kg)	8.2	14.8	27.6	57.2



Sydney - Head Office

24 Foundry Road
Seven Hills, NSW 2147
Australia

☎ +61 (0)2 8825 6900

☎ +61 (0)2 8825 6999

Western Australia

8 Monash Gate
Jandakot, WA 6164
Australia

☎ +61 (0)8 6253 1000

☎ +61 (0)8 9458 9840

Auckland NZ

11 Druces Road
Wiri, Auckland 2104
New Zealand

☎ +64 (0)9 263 5566

☎ +64 (0)9 263 5567

