

Challenger Girder Clamps

These Challenger Girder Clamps feature the highest quality manufacturing against a very competitive price. Inclusive of a 2 year warranty and compliance to the Australian 4991 standard, these clamps represent the best value for money in the market.

Features:

- All Challenger models are manufactured to comply with AS4991.
- These clamps are used to safely suspend loads of many descriptions from girders (I-beams)
- Manual, electric and air hoist installations are examples of their wide capability of usage
- Quick and easy to install and reposition makes them ideal for maintenance tasks
- Jaws clamp over girder flanges
- Also suitable for lifting I-beams

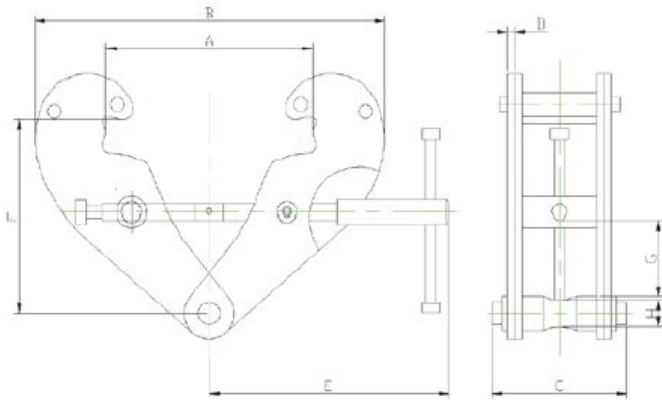


The information shown is to be used as a guide only. Specifications are subject to change without notice. All materials handling or lifting jobs should be assessed individually. Pacific Hoists products are NOT to be used for lifting or lowering persons.

Specifications

Model	CGC101	CGC102	CGC103	CGC105	CGC106
Rated Capacity (kg)	1000	2000	3000	5000	10000
Test Load (kg)	1500	3000	4500	7500	15000
Beam Width Range (mm)	80 - 240	80 - 240	90 - 330	90 - 330	90 - 350
Net Weight (kg)	3.5	4.5	9.5	11.0	16.0

Dimensions (in mm)



Model	CGC101	CGC102	CGC103	CGC105	CGC106
A (max.)	270	270	355	355	364
B (min. / max.)	183 - 370	183 - 370	243 - 500	243 - 500	269 - 521
C	94	102	132	142	180
D	4	6	8	10	12
E	198	198	263	263	285
F (min. / max.)	100 - 154	100 - 154	148 - 219	148 - 219	165 - 239
G (min.)	22	22	46	43	51
H	20	20	22	28	38

Sydney - Head Office

24 Foundry Road
Seven Hills, NSW 2147
Australia

+61 (0)2 8825 6900

+61 (0)2 8825 6999

Western Australia

8 Monash Gate
Jandakot, WA 6164
Australia

+61 (0)8 6253 1000

+61 (0)8 9458 9840

Auckland NZ

11 Druces Road
Wiri, Auckland 2104
New Zealand

+64 (0)9 263 5566

+64 (0)9 263 5567

