

# TORQUE WRENCHES

WX Series - Low Clearance Wrenches

**SIMPLEX**



WX2, WX4 & WX8 Shown

Maximum Torque @ 10,000 psi .....▶ 35,600 ft. lbs.  
 Tool Width .....▶ 1.25 - 3.24 in.  
 Maximum Pressure .....▶ 10,000 psi

- ▶ Patented piston design for lower profile.
- ▶ Quick and easy interchangeable links requiring no tools.
- ▶ Accurate to within + / - 3%.
- ▶ Slim nose radius for tight spaces.
- ▶ Plated wrenches resist corrosion.

## BOLTING PUMPS - pages 81-87



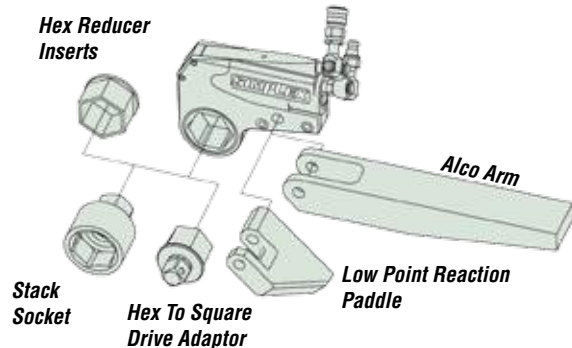
Torque wrench pumps are available in both electric and air power.

## TORQUE HOSES - page 89

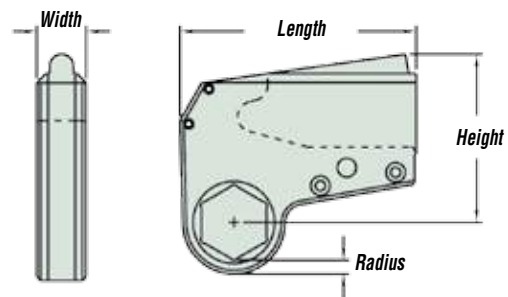


Heavy duty, thermo-plastic torque wrench hoses to meet your requirements.

## OPTIONAL WX - SERIES ACCESSORIES



The WX-4 was the perfect solution for this spring tightening application. ▼



\*Weight on Links will vary by size.

Model	Length (in)	Height (in)	Radius (in)	Max. Tool Width (in)	Output (ft. lbs.)	Weight (lbs.)
WX-2	5.67	4	.36	1.25	1,930	3.5
WX-4	7.80	5.60	.46	1.63	3,950	6
WX-8	9.80	7	.54	2.05	8,630	11.7
WX-16	12.93	7.58	.65	2.5	16,600	16
WX-32	15.30	10.90	.93	3.24	35,600	26

Available Link Sizes (in./mm)		*Weight (lbs.)
From	To	
.75" / 19mm	2.56" / 65mm	2.5 - 3.5
1" / 25mm	3.13" / 80mm	5.4 - 7.6
1.87" / 50mm	4" / 105mm	11.9 - 14.5
2.62" / 65mm	4.62" / 115mm	21 - 28
3.13" / 80mm	6.13" / 155mm	29 - 39.5

**Wrench Handle**



▲ Optional Wrench Handle - Order # WCH-1  
Handles are available for the WX-8, WX-16 & WX-32. The handle can be screwed on either side of the wrench or on top of the wrench.

**WX Drive Unit**



▲ Select a WX drive unit that will give you the amount of torque you are looking for.

**WXL Hex Link**



▲ Couple your WX drive unit with the WXL hex link that you will need. See chart below for specific WXL link.

Accessories are available in imperial and metric sizes.

Model Number For WX-2 Links	Hex Size (in)	Model Number For WX-4 Links	Hex Size (in)	Model Number For WX-4 Links	Hex Size (in)	Model Number For WX-8 Links	Hex Size (in)	Model Number For WX-8 Links	Hex Size (in)	Model Number For WX-16 Links	Hex Size (in)	Model Number For WX-32 Links	Hex Size (in)	Model Number For WX-32 Links	Hex Size (in)
WXL2-12	.75	WXL4-16	1	WXL4-43	2.68	WXL8-30	1.87	WXL8-57	3.56	WXL16-42	2.62	WXL32-50	3.13	WXL32-87	5.44
WXL2-13	.81	WXL4-17	1.06	WXL4-44	2.75	WXL8-31	1.93	WXL8-58	3.62	WXL16-43	2.68	WXL32-51	3.19	WXL32-88	5.5
WXL2-14	.87	WXL4-18	1.13	WXL4-45	2.81	WXL8-32	2	WXL8-59	3.68	WXL16-44	2.75	WXL32-52	3.25	WXL32-89	5.56
WXL2-15	.93	WXL4-19	1.19	WXL4-46	2.87	WXL8-33	2.06	WXL8-60	3.75	WXL16-45	2.81	WXL32-53	3.31	WXL32-90	5.62
WXL2-16	1	WXL4-20	1.25	WXL4-47	2.93	WXL8-34	2.13	WXL8-61	3.81	WXL16-46	2.87	WXL32-54	3.38	WXL32-91	5.68
WXL2-17	1.06	WXL4-21	1.31	WXL4-48	3	WXL8-35	2.19	WXL8-62	3.87	WXL16-47	2.93	WXL32-55	3.44	WXL32-92	5.75
WXL2-18	1.13	WXL4-22	1.38	WXL4-49	3.06	WXL8-36	2.25	WXL8-63	3.93	WXL16-48	3	WXL32-56	3.5	WXL32-93	5.81
WXL2-19	1.19	WXL4-23	1.44	WXL4-50	3.13	WXL8-37	2.31	WXL8-64	4	WXL16-49	3.06	WXL32-57	3.56	WXL32-94	5.87
WXL2-20	1.25	WXL4-24	1.5	----	----	WXL8-38	2.38	----	----	WXL16-50	3.13	WXL32-58	3.62	WXL32-95	5.93
WXL2-21	1.31	WXL4-25	1.56	----	----	WXL8-39	2.44	----	----	WXL16-51	3.19	WXL32-59	3.68	WXL32-96	6
WXL2-22	1.38	WXL4-26	1.62	----	----	WXL8-40	2.5	----	----	WXL16-52	3.25	WXL32-60	3.75	WXL32-97	6.06
WXL2-23	1.44	WXL4-27	1.68	----	----	WXL8-41	2.56	----	----	WXL16-53	3.31	WXL32-61	3.81	WXL32-98	6.13
WXL2-24	1.5	WXL4-28	1.75	----	----	WXL8-42	2.62	----	----	WXL16-54	3.38	WXL32-62	3.87	----	----
WXL2-25	1.56	WXL4-29	1.81	----	----	WXL8-43	2.68	----	----	WXL16-55	3.44	WXL32-63	3.93	----	----
WXL2-26	1.62	WXL4-30	1.87	----	----	WXL8-44	2.75	----	----	WXL16-56	3.5	WXL32-64	4	----	----
WXL2-27	1.68	WXL4-31	1.93	----	----	WXL8-45	2.81	----	----	WXL16-58	3.62	WXL32-65	4.06	----	----
WXL2-28	1.75	WXL4-32	2	----	----	WXL8-46	2.87	----	----	WXL16-60	3.75	WXL32-66	4.13	----	----
WXL2-29	1.81	WXL4-33	2.06	----	----	WXL8-47	2.93	----	----	WXL16-62	3.87	WXL32-68	4.25	----	----
WXL2-30	1.87	WXL4-34	2.13	----	----	WXL8-48	3	----	----	WXL16-64	4	WXL32-70	4.38	----	----
WXL2-31	1.93	WXL4-35	2.19	----	----	WXL8-49	3.06	----	----	WXL16-66	4.13	WXL32-72	4.5	----	----
WXL2-32	2	WXL4-36	2.25	----	----	WXL8-50	3.13	----	----	WXL16-68	4.25	WXL32-74	4.62	----	----
WXL2-33	2.06	WXL4-37	2.31	----	----	WXL8-51	3.19	----	----	WXL16-70	4.38	WXL32-76	4.75	----	----
WXL2-34	2.13	WXL4-38	2.38	----	----	WXL8-52	3.25	----	----	WXL16-72	4.5	WXL32-78	4.87	----	----
WXL2-35	2.19	WXL4-39	2.44	----	----	WXL8-53	3.31	----	----	WXL16-74	4.62	WXL32-80	5	----	----
WXL2-36	2.25	WXL4-40	2.5	----	----	WXL8-54	3.38	----	----	----	----	WXL32-82	5.13	----	----
WXL2-37	2.31	WXL4-41	2.56	----	----	WXL8-55	3.44	----	----	----	----	WXL32-84	5.25	----	----
WXL2-38	2.38	WXL4-42	2.62	----	----	WXL8-56	3.5	----	----	----	----	WXL32-86	5.38	----	----