



SF5 Shown

- Capacity ▶ 5 tons
- Weight ▶ 17 lbs.
- Spread Range ▶ .13 - 3 in.

- ▶ 5 tons of spreading force.
- ▶ .13" through 3" spreading capability.
- ▶ Jaws open parallel.
- ▶ Will not drift or creep-down.
- ▶ All metal construction.



GAUGES - page 77

Improve your system visibility and safety by adding an inline hydraulic gauge to your circuit.



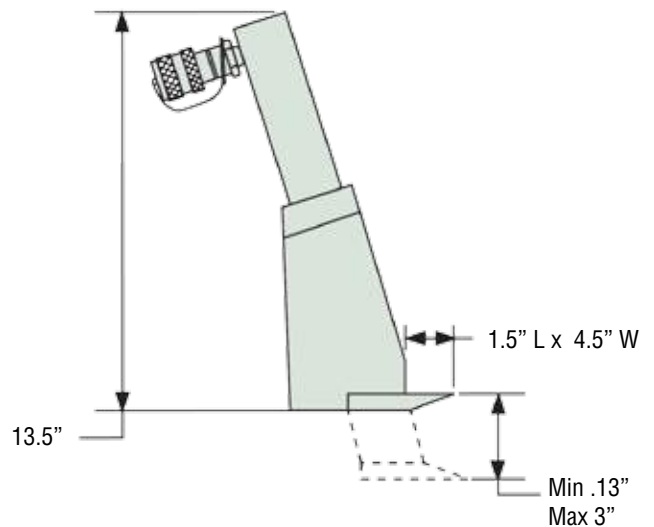
HAND PUMPS - pages 31 - 41

Handpump design specifications meet or exceed ANSI /ASME B30.1 Safety Standards.



◀ SF5 Spreaders are used in pairs to spread the flanges equally for general maintenance and repair.

Boasting 5 tons of spreading force and 3 inches of operational lift, the SF5 is the most versatile tool for heavy equipment maintenance. ▼



Model	Capacity (tons)	Oil Capacity Required (cu.in.)	Pressure @ Capacity (PSI)	Weight (lbs)	Spread		Suggested Hand Pump
					Min. (in)	Max. (in)	
SF5	5	5	10,000	17	.13	3	P22