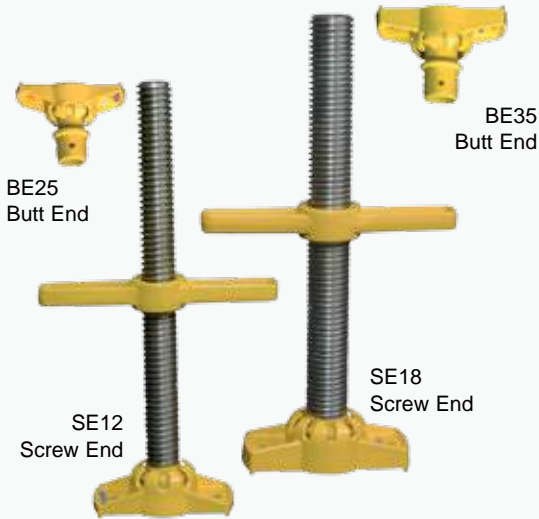


MECHANICAL JACKS

SE & BE Series - Trench Braces

SIMPLEX



Adjustable Range ▶ 7 - 10 in.
 Pipe Size ▶ 1.5 - 2 in.
 Lever Length ▶ 9.5 - 11 in.

- ▶ Provides an efficient, economical protection against cave-ins and costly re-digging in construction & maintenance.
- ▶ Ball socket joints tilt for added safety on angular mounting.
- ▶ Holes on each end facilitates mounting to wood members.

* Screw & Butt Ends Sold Separately

Mechanical Jacks



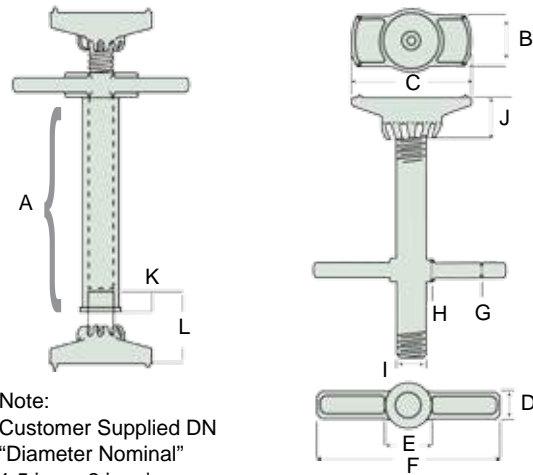
THINK SAFETY

Please refer to pages 4&5 for a complete list of safety tips and recommendations.



CE COMPLIANT

Our Jack design specifications meet or exceed ANSI /ASME B30.1 Safety Standards.



Note:
 Customer Supplied DN
 "Diameter Nominal"
 1.5 in. or 2 in. pipe.

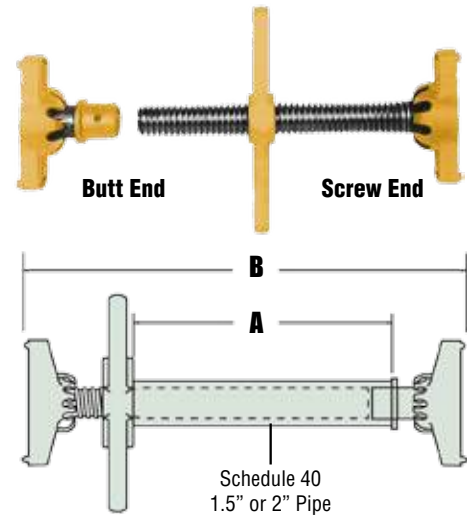
Dimensions assume the use of both screw & butt ends together as an assembly.

Model (Screw End)	Adjust Range (in)	Pipe Size (in)	Dimensions (in)											
			A	B	C	D	E	F	G	H	I	J	K	L
			Minimum Pipe Length	Width	Length	Lever Width	Lever Dia. O.D.	Lever Length	Lever Height	Lever Nut Height	Screw Dia. O.D.	Height	I.D. Butt End Height	Collar Height
SE12	7	1.5	12	2.44	5.75	1.25	2.13	9.5	.68	1.13	1.38	2.44	----	----
SE16	10	1.5	16	2.44	5.75	1.25	2.13	9.5	.68	1.13	1.38	2.44	----	----
SE18	10	2	18	2.75	7.5	1.5	2.68	11	.81	1.38	1.87	3	----	----
Model (Butt End)	Screw Ends to be used with Butt End													
BE25	SE12 / SE16		----	2.44	----	----	----	----	----	----	----	----	1.5	3.87
BE35	SE18		----	2.75	----	----	----	----	----	----	----	----	1.93	4.87

Simplex Trench Braces provide efficient, economical protection against cave-ins and costly redigging in construction and utility maintenance. Braces extend by turning the lever nut handle. The ball socket joints tilt for added safety on angular mounting. Holes on each end facilitate mounting to wood members.

Simplex trench braces are designed for use with standard schedule 40 pipe. Screw end models SE12, SE16 and butt end model BE25 use 1.5" diameter pipe. Model SE18 and butt end BE35 use 2" diameter pipe. Pipe should be cut to length based on the chart below and drawing in Fig. 1.

Simplex SE Series Trench Braces are used to shore up the walls of this trench for the repair work of underground water pipes. ▼



(Fig. 1) All Trench Brace Models

Quick Reference Timber / Trench Brace Equivalency Tables*

The following charts are based on OSHA Timber/Trench Brace Charts* which do not consider transverse loading conditions.

Trench Depth (ft)	Horizontal Spacing (ft)	Cross Brace				Vertical Spacing (ft)	Wales		Uprights (in)			
		Width of Trench (ft)			Size (in)		Vertical Spacing (ft)	Max. Allowable Horizontal Spacing (ft)				
		up to 4	up to 6	up to 8				4'	5'	6'	8'	
Soil Type - A $P^a = 25 \times H + 72$ psf (2ft. Surcharge)												
5 to 10	up to 6	SE12 SE16	SE12 SE16	SE18	4	---	---	---	---	2" x 6"	---	
	up to 8	SE12 SE16	SE12 SE16	SE18	4			---	---	---	2" x 6"	
	up to 10	SE18	SE18	SE18	4	8 x 8	4	---	2" x 6"	---	---	
	up to 12	SE18	SE18	---	4	8 x 8	4	---	---	2" x 6"	---	
10 to 15	up to 6	SE12 SE16	SE12 SE16	SE18	4	---	---	---	---	3" x 8"	---	
	up to 8	SE18	SE18	---	4			8 x 8	4	2" x 6"	---	---
Soil Type - B $P^a = 45 \times H + 72$ psf (2ft. Surcharge)												
Trench Depth (ft)	Horizontal Spacing (ft)	Cross Brace			Vertical Spacing (ft)	Wales		Uprights (in)				
		Width of Trench (ft)		Size (in)		Vertical Spacing (ft)	Max. Allowable Horizontal Spacing (ft)					
		up to 4	up to 6				3'					
5 to 10	up to 6	SE18	SE18	5	6 x 8	5	2" x 6"					