



09618, RS139AS78114 Shown

Stroke ▶ 20 - 38 in.
Minimum Height ▶ 66 - 78 in.
Maximum Height ▶ 102 - 114 in.

- ▶ The 9225A family is a ratcheting style roof support rated at 4 tons sustaining capacity.
- ▶ The 139A family is a screw extension type roof support rated at 5 tons sustaining capacity.
- ▶ Aluminum alloy housing and base makes this unit light-weight and portable (A9225 Family).
- ▶ Holds the load indefinitely without creep down.

THINK SAFETY



Please refer to pages 4&5 for a complete list of safety tips and recommendations.



CE COMPLIANT

Our Jack design specifications meet or exceed ANSI /ASME B30.1 Safety Standards.



CARRYING HANDLE

Integrated welded handle for ease of transport and positioning.

HEAD STYLES



E Type Head

For all standard work.
Dimension between flanges: 8.13"



F Type Head

For use with electrical wiring. Dimension between flanges: 10.25"



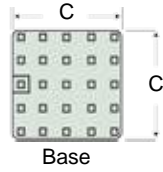
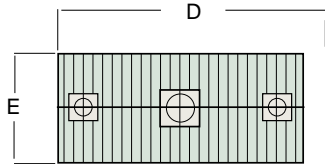
S Type Head

36 square inches in support area.

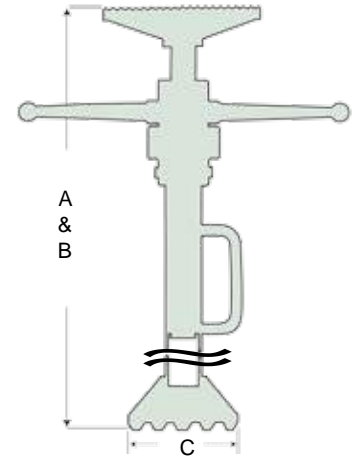
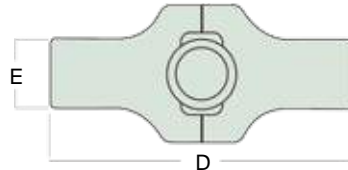
This RS Series Roof Support was used to support a horizontal I-Beam while weld work was being done on the verticle I-Beam. ▼



S Style Head



E & F Style Head



Dimensions (in)								
Model	Order Number	Stroke (in)	A	B	C	D	E	Weight (lbs)
			Minimum Height (in)	Maximum Height (in)	Base (in)	Head Length (in)	Head Width (in)	
Complete Unit Ratchet Lever Series - A9225 Family								
<i>E</i>	09602	20	39	59	7.38	8.13	2	29
<i>F</i>	09603	20	39	59	7.38	10.25	2	29
<i>S</i>	09620	20	39	59	7.38	9	4	29
<i>E</i>	09606	26	45	71	7.38	8.13	2	33
<i>F</i>	09607	26	45	71	7.38	10.25	2	33
<i>S</i>	09621	26	45	71	7.38	9	4	33
<i>E</i>	09610	38	57	95	7.38	8.13	2	36
<i>F</i>	09611	38	57	95	7.38	10.25	2	36
<i>S</i>	09622	38	57	95	7.38	9	4	36
<i>E</i>	09614	38	69	107	7.38	8.13	2	39
<i>F</i>	09615	38	69	107	7.38	10.25	2	39
<i>S</i>	09623	38	69	107	7.38	9	4	39
<i>E</i>	09616	38	75	113	7.38	8.13	2	42
<i>F</i>	09617	38	75	113	7.38	10.25	2	42
<i>S</i>	09624	38	75	113	7.38	9	4	42
<i>E</i>	09618	38	88	126	7.38	8.13	2	48
<i>F</i>	09619	38	88	126	7.38	10.25	2	48
<i>S</i>	09625	38	88	126	7.38	9	4	48
Complete Unit Screw Extension Series - 139A Family								
<i>E</i>	09802	24	42	66	6	8.13	2	50
<i>F</i>	09803	24	42	66	6	10.25	2	50
<i>S</i>	09820	24	42	66	6	9	4	50
<i>E</i>	09806	30	48	78	6	8.13	2	52
<i>F</i>	09807	30	48	78	6	10.25	2	52
<i>S</i>	09821	30	48	78	6	9	4	52
<i>E</i>	09814	36	66	102	6	8.13	2	58
<i>F</i>	09815	36	66	102	6	10.25	2	58
<i>S</i>	RS139AS66102	36	66	102	6	9	4	58
<i>E</i>	09818	36	78	114	6	8.13	2	64
<i>F</i>	09819	36	78	114	6	10.25	2	64
<i>S</i>	RS139AS78114	36	78	114	6	9	4	64

MECHANICAL JACKS

RS Series - Roof Support Base & Head Assembly

SIMPLEX



Head Assembly
Model 09267



Base Assembly
Model 09220

Stroke ▶ 15 in.

Sustaining Capacity ▶ 8 - 16 tons

Maximum Extended Height ▶ 73 - 93 in.

Maximum pipe length recommendations are based upon the following conditions:

- ▶ Fully extended assemblies loaded to maximum rated capacity.
- ▶ All models incorporate a lever nut handle.
- ▶ The 8 ton models are available with either FS or S style heads.
- ▶ The 16 ton model is available with FS style head only.
- ▶ Head and base securely fixed to prevent lateral movement.
- ▶ A round base (ordered separately) is available to fit the 2" pipe.

THINK SAFETY



Please refer to pages 4&5 for a complete list of safety tips and recommendations.



CE COMPLIANT

Our Jack design specifications meet or exceed ANSI /ASME B30.1 Safety Standards.

HEAD STYLES



S Type Head
36 square inches in support area.

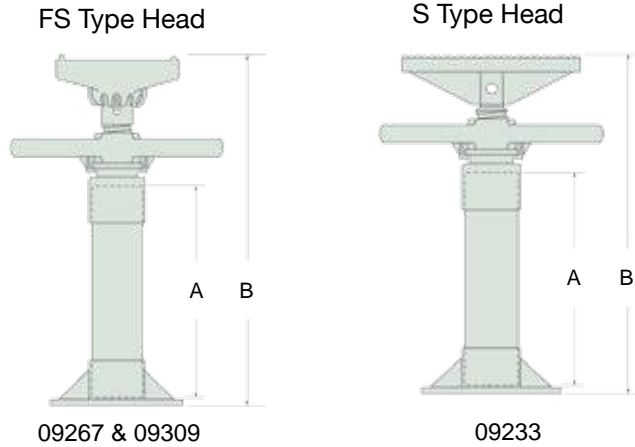


FS Type Head
For support with wooden or rubber cap pieces.

Optional Pipe Specifications

Simplex head assemblies are designed for roof support in mines and other areas where ceiling heights vary greatly. Use your own pipe to custom build a support for nearly any application.

- ▶ The 8 ton MS9 models use 2" schedule 40 pipe with a minimum yield strength of 35,000 psi.
- ▶ The 16 ton MS17 model requires 2" schedule 80 pipe with a minimum yield strength of 48,000 psi / 16 ton model.



Dimensions (in)		
Model	"A" Minimum Pipe Length	"B" Minimum Closed Height
MS9L-FS	20.5	27
MS9L-S	20.62	25.5
MS17L-FS	21.75	28.75

Model	Order Number	Head Style	Sustaining Capacity (tons)	Stroke (in)	*Maximum Pipe Length (in)	Maximum Extended Height (in)	Dimension Between Flanges (in)	Weight (lbs)
MS9L-FS	09267	FS	8	15	51.75	73	5.75	19
MS9L-S	09233	S	8	15	73.25	93	---	19
MS17L-FS	09309	FS	16	15	46.25	68	5.75	34
Base MB-17	09220	---	---	---	---	---	---	6