



Capacity ▶ 5 - 150 tons
 Stroke ▶ .44 - .62 in.
 Maximum Pressure ▶ 10,000 psi

- ▶ Plated piston to resist scoring & corrosion.
- ▶ Low profile, high tonnage design.
- ▶ Rod wiper protects inner cylinder from dirt.

RFS20 Shown

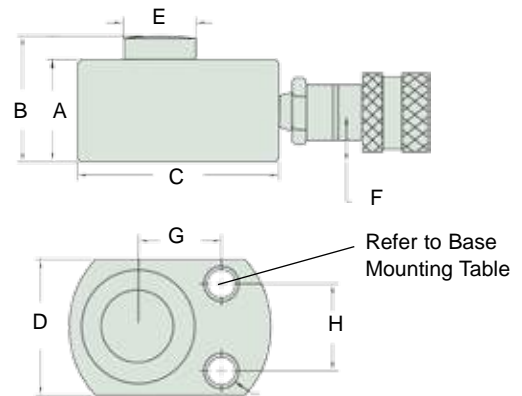


HAND PUMPS - pages 31 - 41

Simplex carries the widest variety of Hand Pumps for specific applications.

Model	Base Mounting Hole Dimensions (in)
R50	.22 through x .36 C' Bore (.25 Deep)
RFS10	.28 through x .42 C' Bore (.31 Deep)
RFS20	.39 through x .62 C' Bore (.39 Deep)

Simplex RFS Series cylinders provide the ideal fit and force required for most bridge lifting and pier cap maintenance jobs. ▼



Model	Cap. (tons)	Stroke (in)	Oil Cap. Req'd (cu.in.)	Ram Bore Dia. (in)	Effective Area (sq.in.)	Pressure @ Cap. (psi)	A	B	C	D	E	F	G	H	Wgt. (lbs)
							Minimum Height (in)	Extended Height (in)	Body Length (in)	Body Width (in)	Piston O.D. (in)	Base to Port C/L (in)	Width (in)	Width (in)	
R50	5	.62	.6	1.13	.99	10,000	1.62	2.25	2.56	1.62	1	.75	1	1.13	2.5
RFS10	10	.44	1	1.68	2.24	8,940	1.68	2.13	3.25	2.19	.75	.75	1.34	1.41	3.3
RFS20	20	.44	1.9	2.38	4.43	9,030	2.03	2.47	4	3	1.13	.75	1.56	1.93	6
RFS30	30	.5	3.2	2.87	6.49	9,250	2.31	2.81	4.5	3.75	1.38	.75	---	---	8.5
RFS50	50	.62	6	3.5	9.62	10,400	2.62	3.25	5.5	4.5	1.75	.75	---	---	14.3
RFS75	75	.62	10	4.5	15.90	9,440	3.13	3.75	6.5	5.5	2.13	.75	---	---	24.5
RFS100	100	.62	12.3	5	19.63	10,200	3.38	4	7	6	2.5	.75	---	---	31
RFS150	150	.56	17.2	6.25	30.66	9,785	3.93	4.5	8.5	7.5	3	.93	---	---	50.5