



LPC30 & LPC100 Shown

Capacity Range▶ 1.65 - 11.13 tons
 Stroke Range▶ 11.81 - 13.78 in.
 Minimum Height▶ 28.50 in.

- ▶ Low body height.
- ▶ Milled rack, geared wheels and tempered gears.
- ▶ Suitable for lifting loads of any type.
- ▶ Safety crank with folding handle.
- ▶ Low expenditure of force through optimal ratio.
- ▶ Lifting with either fixed toe or clawed head.
- ▶ All construction components standardized.

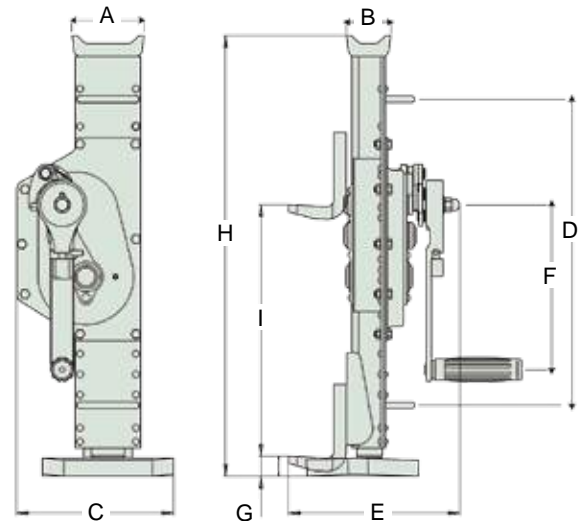
CE COMPLIANT
 Our Jack design specifications meet or exceed ANSI /ASME B30.1 Safety Standards.

THINK SAFETY
 Please refer to pages 4&5 for a complete list of safety tips and recommendations.



Mechanical Jacks

The LPC50 is used to lift this concrete slab. The head and toe capacity along with its mobility, makes the Rack Jacks ideal for various applications. ▼



Model	Head/Toe Capacity (tons)	Dimensions (in)									Weight (lbs)
		A	B	C	D	E	F	G	H	I	
		Width	Depth	Width	Length	Depth	Length	Height	Minimum Height	Stroke	
LPC15	1.65	3.54	1.97	6.54	20.67	8.58	9.84	1.18	28.50	13.78	35.27
LPC30	3.31	3.94	1.97	8.54	20.67	9.21	9.84	1.18	28.86	13.78	55.12
LPC50	5.51	4.33	2.68	9.41	20.67	10.24	9.84	1.18	28.74	11.81	70.55
LPC100	11.13	5.51	2.76	11.57	23.23	12.56	11.81	1.38	31.57	11.81	121.25