
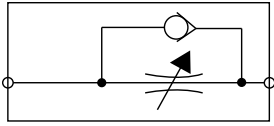

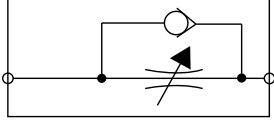

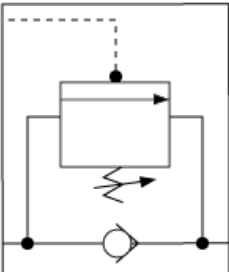

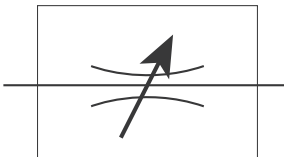

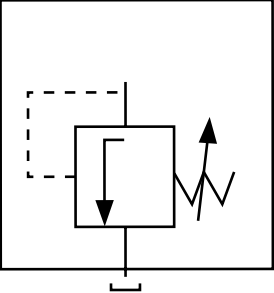



Model	Description	Hydraulic Schematic
	<p>Check Valve automatically locks load in raised position as plunger is being extended. Protects against dropping the load due to pressure loss. Required for multiple cylinder lifting from one source. (Includes F1 - 3/8" porting Hex Nipple).</p>	
	<p>Check Valve is a V10E with polarized high flow couplers for direct, rapid mounting to cylinder couplers.</p>	
	<p>Over Center Check Valve can be mounted at the cylinder to hold the load in the event of system failure. Unlike other piloted check valves, the V2 provides controlled retraction without "chatter". Note: When used in multiple cylinder systems, contact Simplex for minimum pump requirements.</p>	
	<p>Shut-Off Valve is a needle-type valve for sustained load-holding and flow control. Use for positive shut-off or throttling. (3/8" porting NPTF)</p>	
	<p>In-line Adjustable Relief Valve is for in-line mounting into hydraulic systems. Accurately controls maximum pressure from 800 to 10,000 psi. Turn handle until gauge indicates desired working pressure - tighten lock nut. Valve automatically opens and bypasses excess flow from system when preset pressure is reached. (Includes tubing & fittings).</p>	
	<p>Safety Relief Valve threads into top port of double-acting cylinders, or inline on hydraulic systems, for protection against over pressurizing. Pressure rating is set to 10,500 psi. (3/8" porting NPTF) 3/8"m - 3/8" f</p>	