



G6843 Shown

Reservoir Capacity▶ 2.5 - 20 gallons
Flow @ Rated Pressure.....▶ 100 cu.in./min.
Maximum Pressure▶ 10,000 psi

- ▶ Powered by a 163 c.c. Honda® gas motor.
- ▶ High performance two-stage pump provides higher cross-over pressure for faster cycle times and equipment operation.
- ▶ Ideal for use with mid to large sized hydraulic cylinders or tools.
- ▶ Reservoirs available in 2.5 - 20 gallons; welded steel design.
- ▶ Precision designed valve offers reliability and secure load holding.

Power Pumps



MANIFOLDS - page 73

The ideal solution in obtaining precise control when operating multiple cylinders.



COUPLERS - pages 74 - 75

High flow quick disconnect couplers provide a quick change to a variety of pumps.



GAUGES - page 77

Improve your system visibility and safety by adding an inline hydraulic gauge to your circuit.



SUC-O-MATIC VALVE

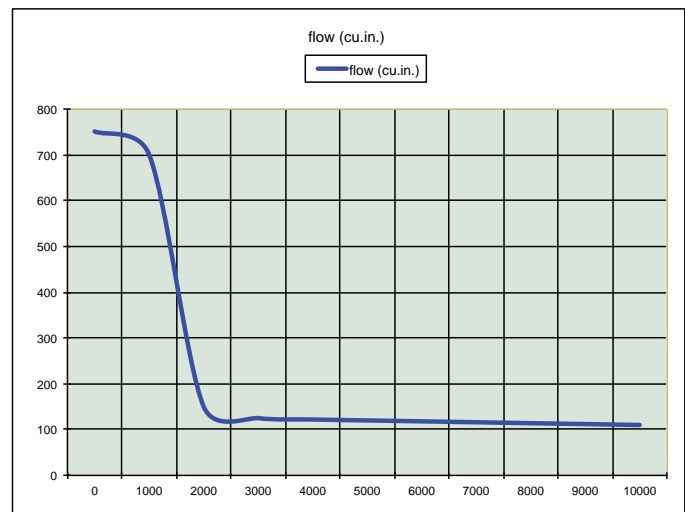
The 3 position / 3 way "Suc-O-Matic" valve draws hydraulic oil out of any single acting cylinder with full retraction regardless of weak springs or mounting.

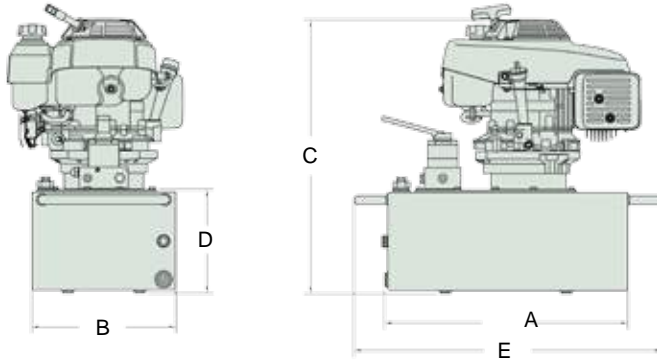


THINK SAFETY

Please refer to pages 4&5 for a complete list of safety tips and recommendations.

The G6 Series Gas pump can withstand the most rugged environments without ever compromising performance. ▼





Reservoir (Gallons)	A	B	C	D	E
	(in)	(in)	(in)	(in)	(in)
2.5	17	9.75	19.86	5.71	----
5	19.60	11.75	22.36	8.46	25.10
10	19.60	11.75	26.61	12.71	25.10
20	23.50	19.60	26.36	12.46	28

28 x 22.68 x 18.75 Roll Cage Dimensions for 2.5 gallon.

Model	Pressure Rating (psi)		Output Flow (cu.in./ min.)		Motor Spec	Valve Type	Usable Oil	Weight (lbs)
	1st Stage	2nd Stage	1st Stage	2nd Stage				
G6833	1,200	10,000	750	100	163 c.c.	3W, 3P	2.5	68
G6835	1,200	10,000	750	100	163 c.c.	3W, 3P	5	123
G6843	1,200	10,000	750	100	163 c.c.	4W, 3P	2.5	68
G6845	1,200	10,000	750	100	163 c.c.	4W, 3P	5	123

Additional Pump Configurations

MODEL	SELECTIONS
Class	G = Power Pump
Series	6 = 163 c.c. Gas Motor
Motor Type	8 = Honda Gas Motor / 100 cu.in.
Valve Function	3 = 2 = 2 Way Manual 3 = 3 Way Manual 4 = 4 Way Manual
Reservoir Size	5 = 3 = 2.5 Gallons Usable Oil 5 = 5 Gallons Usable Oil 6 = 10 Gallons Usable Oil 7 = 20 Gallons Usable Oil
Factory Installed Options *	B = 3 Stage Pump C = Caster Wheel Kit (2.5 gal. only) G = Gauge (Integrated) L = Locking Style Manifold O = Oil Filter

* For reservoirs over 20 gallon capacity, please contact factory.
 * If pump model consists of more than 3 options, contact factory.
 * Oil filter not available with 2 way manual.