

# BOLTING PUMPS

G5 Series - Electric

**SIMPLEX**



G5172T Shown

- Reservoir Capacity .....► 1.5 - 2.5 gallons
- Weight .....► 75 - 85 lbs.
- Maximum Pressure .....► 10,000 psi

- Heavy Duty bolting pump configuration is ideal for use with mid to large sized torque wrenches.
- Powered by a 115V - 60Hz, 1-1/2 hp permanent magnet motor (3,000 rpm); low startup voltage, draws 18 amps at full load (230V models available).
- High performance two-stage pump provides higher cross-over pressure for faster cycle times and tool operation.

Bolting Products



### TORQUE WRENCHES - pages 88 - 91

Torque wrenches available in lightweight square drive, or low clearance wrenches.






### THINK SAFETY

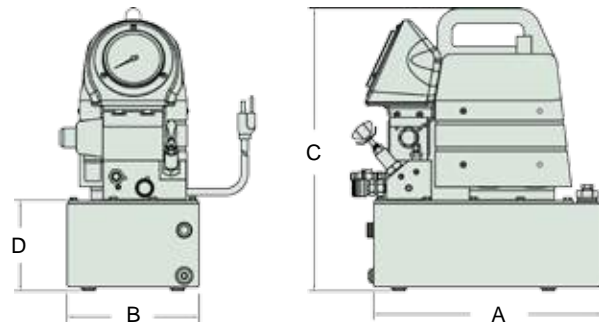
Please refer to pages 4&5 for a complete list of safety tips and recommendations.

### G5 Bolting Pump Factory Installed Options

For ordering, add option letter to end of the model number.

Z  Multi-Port Manifold	C  Caster Kit	H  Heat Exchanger
--	--	--

The G5 pump had the flexibility and power to be instrumental in the construction of the blade section on this wind turbine. ▼



Reservoir (Gallons)	A	B	C	D
	(in)	(in)	(in)	(in)
1.5	15.13	8.75	19	5.96
2.5	17	9.75	19	5.96

Larger capacities available upon request.

\* For 230 VAC pump use "2" in the 3rd character of the model number. Motor specifications 1,1 kw single phase, 10 amps @ 230 VAC.

Model	Pressure Rating (psi) Stages		Output Flow (cu.in./min.) Stages		Motor Spec.		Valve Type	Pendant Control	Usable Oil (Gallons)	Weight (lbs)
	1st	2nd	1st	2nd	(vac)	(amps)				
G5172T	1,200	10,000	500	55	115	18	4W, 2P	Motor / Solenoid	1.5	75
G5173T	1,200	10,000	500	55	115	18	4W, 2P	Motor / Solenoid	2.5	85