



G4833 Shown

Reservoir Capacity► 1.5 - 20 gallons

Flow @ Rated Pressure► 50 cu.in./min.

Maximum Pressure► 10,000 psi

- Powered by a 127 c.c. Briggs & Stratton® gas motor.
- High performance two-stage pump provides higher cross-over pressure for faster cycle times and equipment operation; 50 cubic inches / minute @ 10,000 PSI.
- Reservoirs available in 1.5 - 20 gallons; welded steel design.
- Ideal for use with mid sized hydraulic cylinders or tools.



MANIFOLDS - page 73

The ideal solution in obtaining precise control when operating multiple cylinders.



COUPLERS - pages 74 - 75

High flow quick disconnect couplers provide a quick change to a variety of pumps.



GAUGES - page 77

Improve your system visibility and safety by adding an inline hydraulic gauge to your circuit.



SUC-O-MATIC VALVE

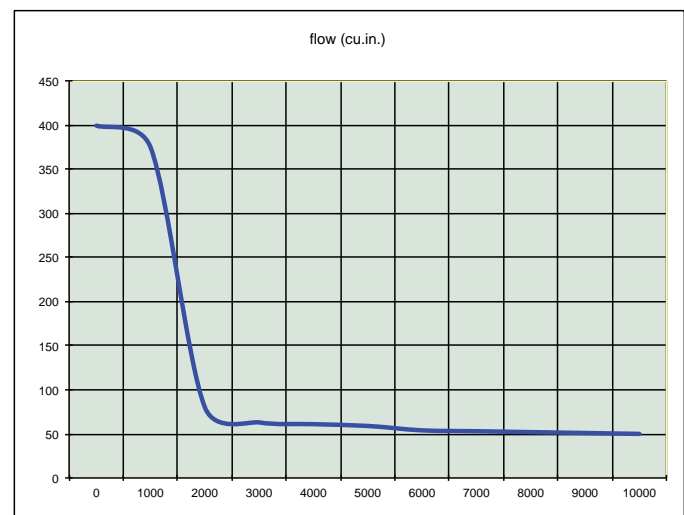
The 3 position / 3 way "Suc-O-Matic" valve draws hydraulic oil out of any single acting cylinder with full retraction regardless of weak springs or mounting.

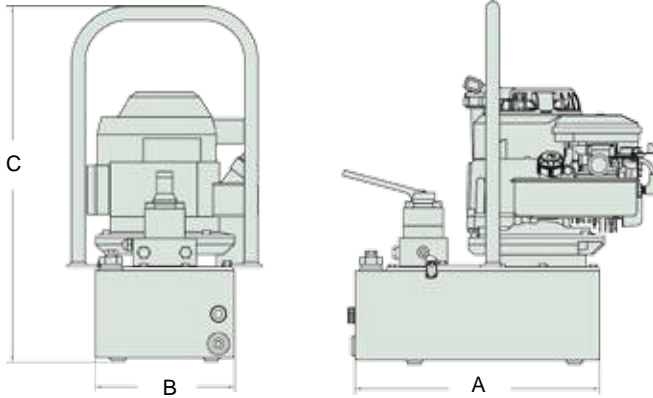


THINK SAFETY

Please refer to pages 4&5 for a complete list of safety tips and recommendations.

The location to repair this dock foundation needed the versatility of the G4 gas power pump. ▼

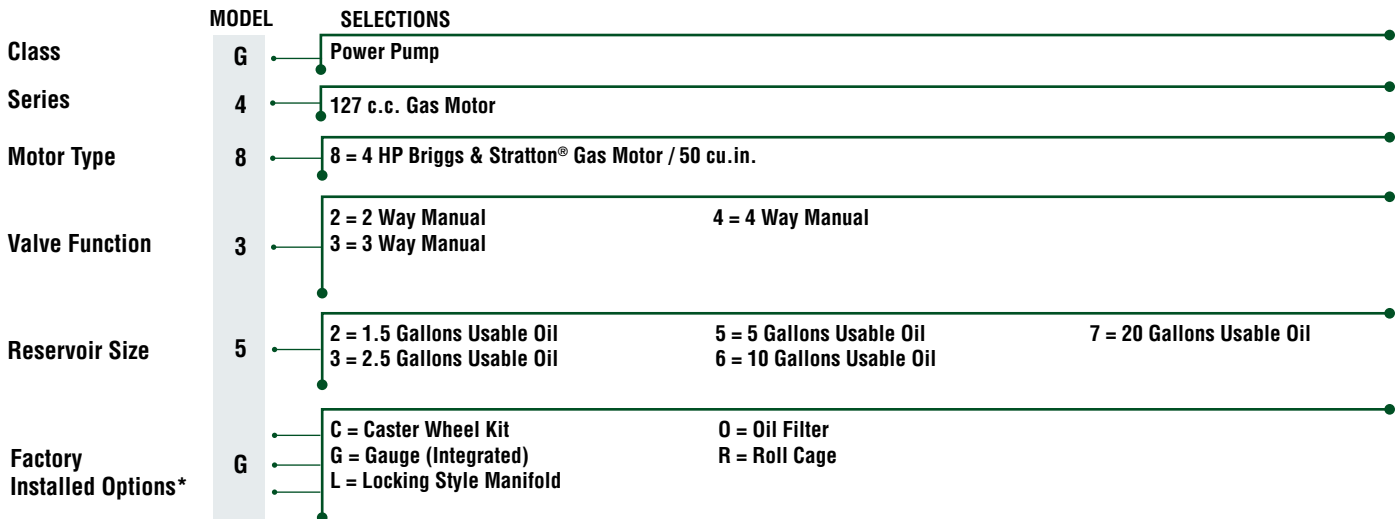




Reservoir (Gallons)	A	B	C
	(in)	(in)	(in)
1.5	15.13	8.75	22.34
2.5	17	9.75	22.34
5	25.10	11.75	19.54
10	25.10	11.75	23.97
20	28	19.60	22.84

Model	Pressure Rating (psi)		Output Flow (cu. in. / min.)		Motor	Valve Type	Usable Oil	Weight (lbs)
	1st Stage	2nd Stage	1st Stage	2nd Stage	B&S			
G4833	1,100	10,000	400	50	127 c.c.	3W, 3P	2.5	53
G4835	1,100	10,000	400	50	127 c.c.	3W, 3P	5	108
G4843	1,100	10,000	400	50	127 c.c.	4W, 3P	2.5	53
G4845	1,100	10,000	400	50	127 c.c.	4W, 3P	5	108

Additional Pump Configurations



* If pump model consists of more than 3 options, contact factory.
 * Gauge will not be protected by roll cage when a 5 gallon or larger reservoir is ordered.
 * Roll cage not available on 10 & 20 gallon reservoir.
 * Caster wheel kit not available on 5,10 & 20 gallon reservoirs.
 * Oil filter not available on dump, 2 way dump & 2 way manual.