



G4173 Shown

Reservoir Capacity▶ 15 - 20 gallons
Flow @ Rated Pressure▶ 55 cu.in./min.
Maximum Pressure▶ 10,000 psi

- ▶ Powered by a 115V - 60Hz, 1.5 hp induction motor (1,725 rpm).
- ▶ Low startup voltage, draws amps at full load (230V models available).
- ▶ High performance two-stage pump provides higher cross-over pressure for faster cycle times and equipment operation.
- ▶ Ideal for use with mid sized hydraulic cylinders.

Power Pumps



CYLINDERS - pages 7 - 29

A large selection of steel and aluminum cylinders to meet every need.



COUPLERS - pages 74 - 75

High flow quick disconnect couplers provide a quick change to a variety of pumps.



MANIFOLDS - page 73

The ideal solution in obtaining precise control when operating multiple cylinders.



SUC-O-MATIC VALVE

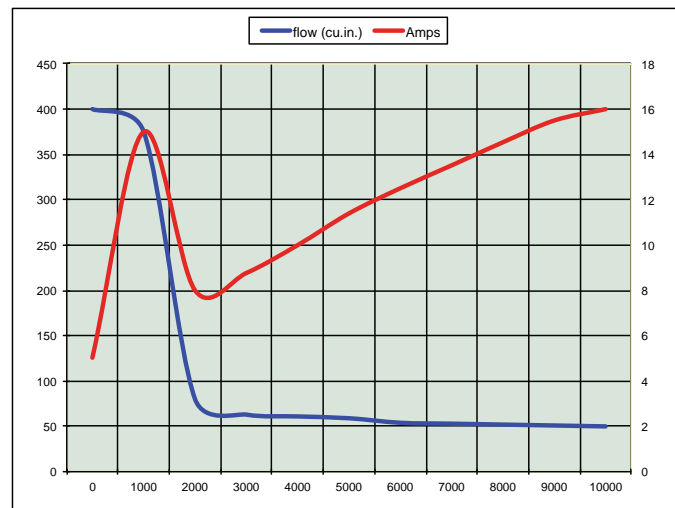
The 3 position / 3 way "Suc-O-Matic" valve draws hydraulic oil out of any single acting cylinder with full retraction regardless of weak springs or mounting.

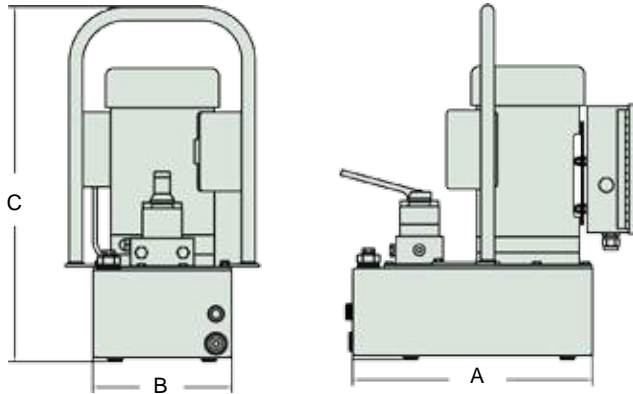


THINK SAFETY

Please refer to pages 4&5 for a complete list of safety tips and recommendations.

The Simplex G4 power pump along with the S3000A spreader was used to pry apart the rusted doors on this steel shipping container. ▼





Reservoir (Gallons)	A	B	C
	(in)	(in)	(in)
1.5	15.13	8.75	22.34
2.5	17	9.75	22.34
5	25.10	11.75	21
10	25.10	11.75	25.25
20	28	19.6	25.25

Model	Pressure Rating (psi)		Output Flow (cu.in./min.)		Motor Spec.		Valve Type	Pendant Control	Usable Oil	Weight (lbs)
	1st Stage	2nd Stage	1st Stage	2nd Stage	(vac)	(amps)				
G4102	1,100	10,000	400	55	115	16	Dump	Motor	1.5	38
G4103	1,100	10,000	400	55	115	16	Dump	Motor	2.5	45
G4122	1,100	10,000	400	55	115	16	2W, 2P	Optional Motor	1.5	52
G4132	1,100	10,000	400	55	115	16	3W, 3P	Optional Motor	1.5	53
G4133	1,100	10,000	400	55	115	16	3W, 3P	Optional Motor	2.5	63
G4162	1,100	10,000	400	55	115	16	3W, 3P	Motor / Solenoid	1.5	57
G4163	1,100	10,000	400	55	115	16	3W, 3P	Motor / Solenoid	2.5	67
G4142	1,100	10,000	400	55	115	16	4W, 3P	Optional Motor	1.5	53
G4143	1,100	10,000	400	55	115	16	4W, 3P	Optional Motor	2.5	63
G4172	1,100	10,000	400	55	115	16	4W, 3P	Motor / Solenoid	1.5	57
G4173	1,100	10,000	400	55	115	16	4W, 3P	Motor / Solenoid	2.5	67

* For 230 VAC pump use "2" in the 3rd character of the model number. Motor specifications 1,1 kw single phase, 10 amps @ 230 VAC.

Additional Pump Configurations

MODEL	SELECTIONS
Class	G = Power Pump
Series	4 = 1.5 HP Induction Motor / 55 cu.in.
Motor Voltage	1 = 115 VAC Single Phase 2 = 230 VAC Single Phase
Valve Function	0 = Dump 1 = 2 Way Dump 2 = 2 Way Manual 3 = 3 Way Manual 4 = 4 Way Manual 6 = 3 Way Solenoid 7 = 4 Way Solenoid
Reservoir Size	2 = 1.5 Gallons Usable Oil 3 = 2.5 Gallons Usable Oil 5 = 5 Gallons Usable Oil 6 = 10 Gallons Usable Oil 7 = 20 Gallons Usable Oil
Factory Installed Options*	C = Caster Wheel Kit F = Foot Switch (Motor) G = Pump Mounted Gauge H = Heat Exchanger L = Locking Style Manifold M = Motor Pendant O = Oil Filter P = Pressure Switch R = Roll Cage S = Foot Switch (Valve)

- * If pump model consists of more than 3 options, contact factory.
- * Gauge will not be protected by roll cage when a 5 gallon or larger reservoir is ordered.
- * Roll cage not available on 10 & 20 gallon reservoir.
- * Caster wheel kit not available on 5,10 & 20 gallon reservoirs.
- * Oil filter not available on dump, 2 way dump & 2 way manual.