

BOLTING PUMPS

G1 Series - Electric

SIMPLEX



G1171T Shown

- Reservoir Capacity▶ 1 gallon
- Weight▶ 36 lbs.
- Maximum Pressure▶ 10,000 psi

- ▶ Light weight bolting pump equipped with an integrated gauge, adjustable relief and 15' remote power controlled pendant.
- ▶ Powered by a 115V - 60Hz, .5 hp universal motor (14,640 rpm).
- ▶ Low startup voltage, draws 10 amps at full load (230V model available).
- ▶ Two-speed pump operation provides fast tool performance.

TORQUE WRENCHES - pages 88 - 91



Torque wrenches available in lightweight square drive, or low clearance wrenches.

THINK SAFETY



Please refer to pages 4&5 for a complete list of safety tips and recommendations.

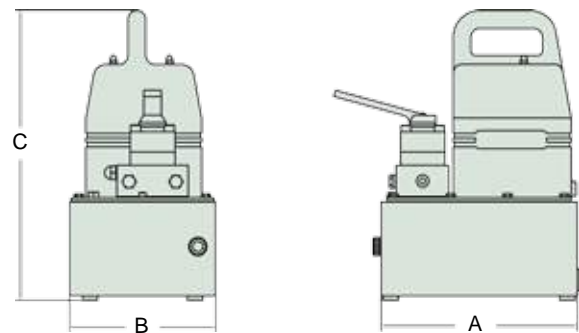
TORQUE HOSES - page 89



Heavy duty, thermo-plastic torque wrench hoses to meet your requirements.

Bolting Products

The G1 bolting pump along with a WX series low clearance torque wrench was used to tighten the footing of this support tower. ▼



| Reservoir (Gallons) | A | B | C |
|---------------------|------|------|-------|
| | (in) | (in) | (in) |
| 1 (metal) | 11 | 8.17 | 16.17 |

* For 230 VAC pump use "2" in the 3rd character of the model number. Motor specifications 0,37 kw single phase, 5 amps @ 230 VAC.

| Model | Pressure Rating (psi) | | Output Flow (cu.in./min.) | | Motor Spec. | | Valve Type | Pendant Control | Usable Oil (Gallon) | Weight (lbs) |
|--------|-----------------------|-----------|---------------------------|-----------|-------------|--------|------------|------------------|---------------------|--------------|
| | 1st Stage | 2nd Stage | 1st Stage | 2nd Stage | (vac) | (amps) | | | | |
| G1171T | 400 | 10,000 | 250 | 19 | 115 | 10 | 4W, 2P | Motor / Solenoid | 1 | 36 |