

# POWER PUMPS

Compact Foot Pumps - Air Over Hydraulic

**SIMPLEX**

**GA9**  
Air over Hydraulic



Usable Oil Capacity .....▶ 90 - 460 cu.in.

Weight .....▶ 18.5 - 41 lbs.

Maximum Pressure .....▶ 10,000 psi

- ▶ 3 position non-slip, diamond grip treadle for safe advance, hold & retract operation.
- ▶ Quiet operation - 85 dba @ 10,000 psi for in-house production.
- ▶ Rugged all metal construction.
- ▶ High quality rubber gasket seals.
- ▶ Integrated non-spill vent / oil level indicator.

Air Foot Pump Family Shown

Power Pumps



**DETENT CLIP**

Pedal can be used to reduce operator strain by locking in the release position.



**NON-SKID FEET**

Four mountable non-skid rubber feet can be used to make your pump stationary.



**FOOT PEDAL**

A non-slip diamond plate texture gives the user safe and controlled foot pivoting action.

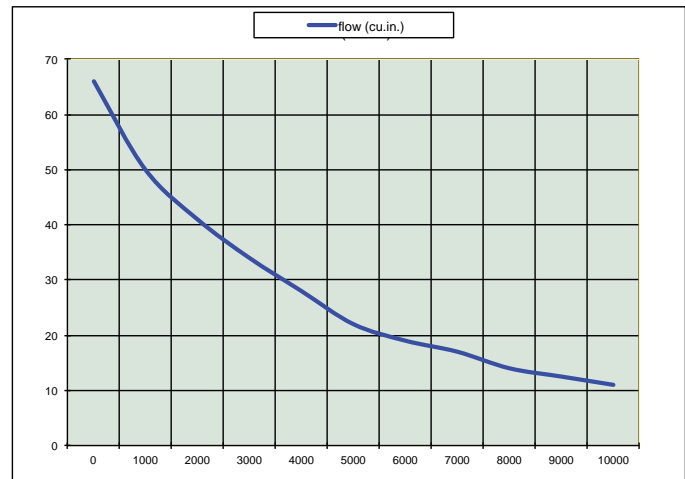
**GA9 Series  
Cutaway View**



**SERVICE KITS**

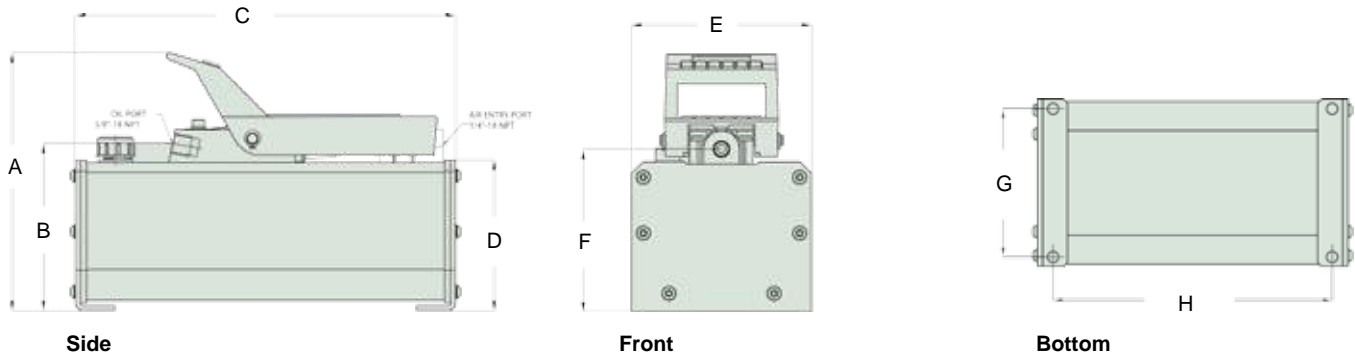
A large selection of serviceable part kits are offered to reduce operating costs and down time.

Engineers selected the Simplex air pump when reliable 10,000 psi power was needed to run this production line fixture. ▼

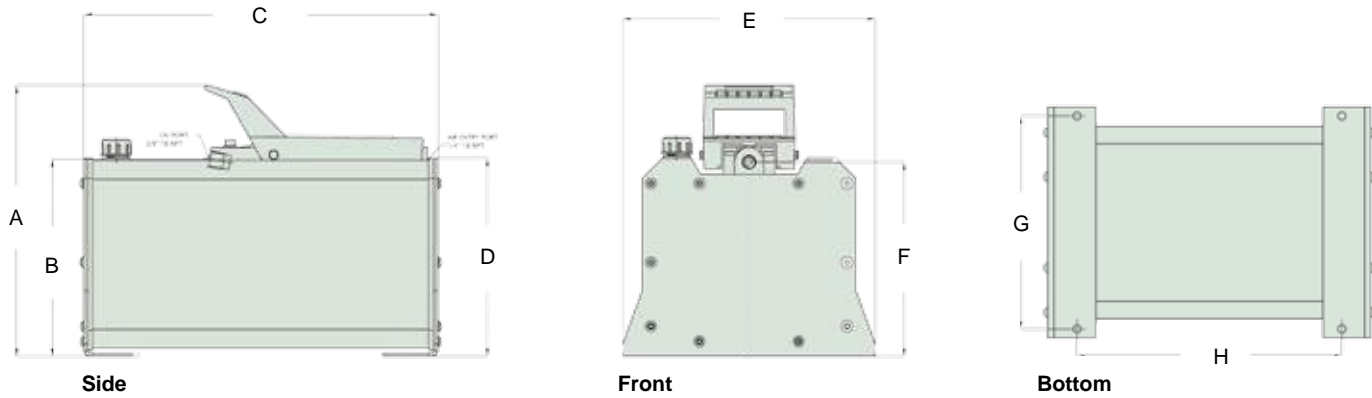




**GA9 - 90 cu. in. Reservoir**



**GA9 - 230 / 460 cu. in. Reservoir**



| Model   | Tool Type | Control    | Usable Oil Capacity (cu. in.) | Oil Flow @ 0 psi (cu. in.) | Oil Flow @ 10,000 psi (cu. in.) | Operating Air Pressure Range (psi) | Weight (lbs) | Reservoir Sizes (in) |      |       |      |      |      | Mounting Holes (in) |       |
|---------|-----------|------------|-------------------------------|----------------------------|---------------------------------|------------------------------------|--------------|----------------------|------|-------|------|------|------|---------------------|-------|
|         |           |            |                               |                            |                                 |                                    |              | A                    | B    | C     | D    | E    | F    | G                   | H     |
| GA90    | S/A       | Foot Pedal | 90                            | 68                         | 11                              | 60 - 150                           | 18.5         | 8.38                 | 5.32 | 10.69 | 4.81 | 5.81 | 5.25 | 5.01                | 9.27  |
| GA9230  | S/A       | Foot Pedal | 230                           | 68                         | 11                              | 60 - 150                           | 32.6         | 11.88                | 7.94 | 10.63 | 7.94 | 9.84 | 7.88 | 9.05                | 11.29 |
| GA9460  | S/A       | Foot Pedal | 460                           | 68                         | 11                              | 60 - 150                           | 41           | 11.88                | 7.94 | 14.06 | 7.94 | 9.84 | 7.88 | 9.05                | 11.29 |
| GA90R   | S/A       | Pendant    | 90                            | 68                         | 8                               | 60 - 150                           | 23.5         | 8.38                 | 5.32 | 10.69 | 4.81 | 5.81 | 5.25 | 5.01                | 9.27  |
| GA9230R | S/A       | Pendant    | 230                           | 68                         | 8                               | 60 - 150                           | 37.6         | 11.88                | 7.94 | 10.63 | 7.94 | 9.84 | 7.88 | 9.05                | 11.29 |
| GA9230D | D/A       | Valve      | 230                           | 68                         | 11                              | 60 - 150                           | 31.6         | 11.88                | 7.94 | 10.63 | 7.94 | 9.84 | 7.88 | 9.05                | 11.29 |
| GA9460D | D/A       | Valve      | 460                           | 68                         | 11                              | 60 - 150                           | 41           | 11.88                | 7.94 | 14.06 | 7.94 | 9.84 | 7.88 | 9.05                | 11.29 |

Power Pumps